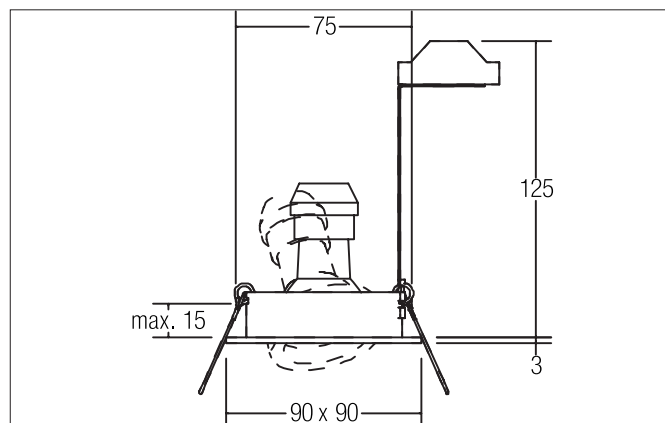


JANIA-S Recessed spot, GU 10

Article no. 36310250

Light.
For Generations.**Tender**

Recessed spot, GU10, alu, Square. In a compact design, for installation in tool-less rapid assembly systems. Including bracket with GU10 socket for standard-compliant strain relief. Lamp holder: GU10, Mounting method: Recessed mounting, Place of installation: Ceiling-mounted, Material: Aluminium, Degree of protection: according to DIN EN 60529 IP20, Protection class: (EN 61140) II, Voltage: 230V AC 50Hz, Power: 50W, Amount of light sources / fittings: 1.0 Qty, Adjustability: Pivoted, Control: Other.

Product Benefits

- Recessed spotlight in square shape made of solid aluminum.
for LED retrofit lamps with GU10 base.
- Ceiling cut-out 75 mm, diameter 93 mm, installation depth 125 mm, IP20.
- Swivel range 30°.
- Without visible snap ring.
- Classic, formally restrained design.
- In the same look also available as GX5.3 version, as switchable and dimmable set (phase cut-off).
- In addition, in the same surface structure and in the same color also available in round design.

JANIA-S Recessed spot, GU 10

Article no. 36310250

Light.
For Generations.

| Article data | |
|--------------------|---------------------|
| Article no. | 36310250 |
| GTIN | 4250047789147 |
| Series name | JANIA-S |
| Short description | Recessed spot, GU10 |
| Material | Aluminium |
| Colour | Alu |
| Type of surface | Matt |
| Shape | Square |
| Built-in diameter | 75 mm |
| Installation depth | 125 mm |
| Length | 90 mm |
| Width | 90 mm |
| Height | 3 mm |
| Weight | 0.135 kg |

| Operating technology of the luminaire | |
|---------------------------------------|------------------------|
| System output | 50 W |
| Voltage type | AC |
| AC nominal voltage max | 230 V |
| Frequenz max. | 50 Hz |
| Lamp | For LED-retrofill lamp |
| Lamp holder | GU10 |
| Protection class | II |
| Degree of protection | IP20 |
| Control | Other |
| Bulb change possible | Yes |

| Mounting technology | |
|------------------------|---|
| Mounting method | Recessed mounting |
| Place of installation | Ceiling-mounted |
| Adjustability | Rotable and pivoted |
| Swivel angle | 30° |
| Rotation angle | 355° |
| Max. ceiling thickness | 15 mm |
| Further references | No cover with thermal insulation material |
| Material cover | Without cover |
| Circlip | Without circlip |

| Packing data | |
|-------------------------|---|
| Gross weight | 0.16 kg |
| Length of packaging | 140 mm |
| Packaging width | 110 mm |
| Packaging height | 120 mm |
| Disposal at end of life | This product must not be disposed of with household waste. You are obliged, to dispose of such electrical waste separately. By disposing of electrical waste and other old or defective electronics separately, you support recycling or other forms of re-use. In that way you help to take care and to avoid that harmful substances get into the environment. |