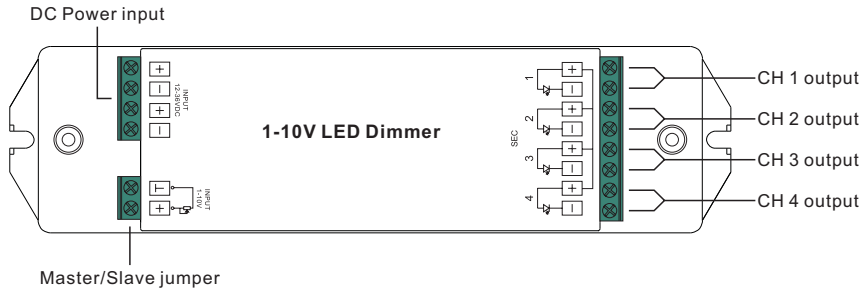


Important: Read All Instructions Prior to Installation

Function introduction



Product Data

No.	Input Voltage	Output Current	Output Power	Remarks	Size(LxWxH)
1	12-36VDC	4x5A	4x(60-180)W	Constant voltage	178x46x22mm
2	12-36VDC	4x350mA	4x(4.2-12.6)W	Constant current	178x46x22mm
3	12-36VDC	4x700mA	4x(8.4-25.2)W	Constant current	178x46x22mm

● Waterproof grade: IP20

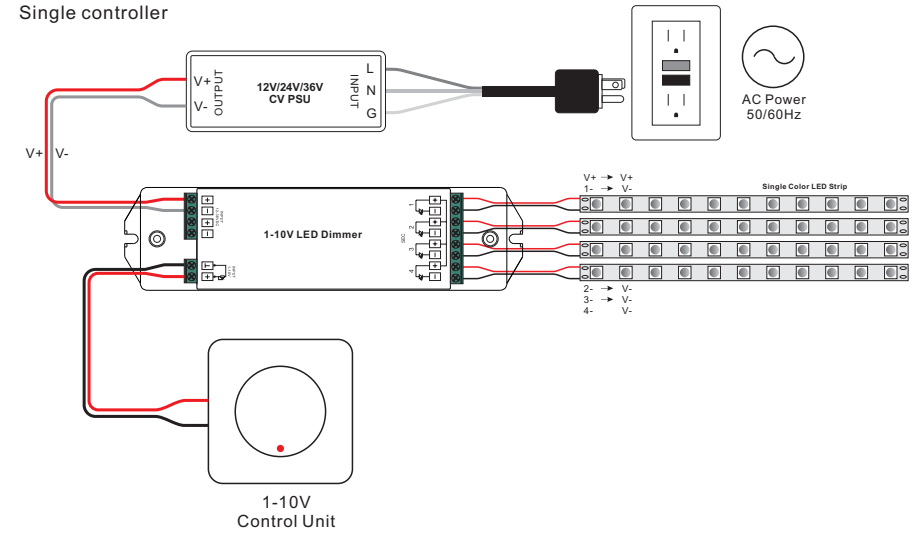
- With 1 Channel 1-10V signal Input, 4 channels PWM Output
- Analog dim driver, receive standard 1-10V dim signal input
- 0-100% dimming range via logarithmic characteristic , perfect for human's vision
- 256 levels of Grey scales, smoothly without any flash
- To work with power repeater to expand output unlimitedly.
- Can coordinate with 1-10 regulator or 1-10V dimmer to do analog dimming ,smooth dimming curve, be in direct proportion to voltage curve of regular.
- Waterproof grade: IP20
- 0-10V version for chosen

Safety & Warnings

- DO NOT install with power applied to device.
- DO NOT expose the device to moisture.

Wiring Diagram

Single controller



Multiple controllers

