

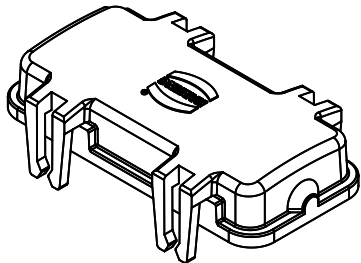
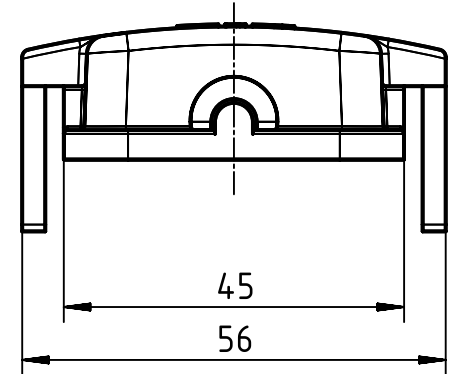
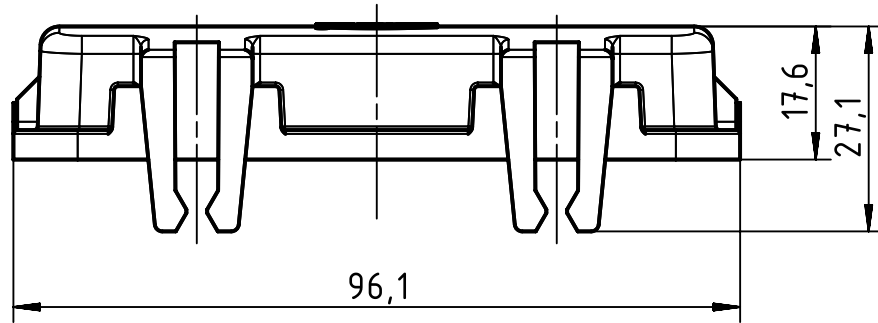
1 2 3 4 5 6

A

B

C

D



	All rights reserved Department EL PD		Created by RULLKOETTER	Inspected by SUNDERMEIER	Standardisation RUETERA	Date 2020-02-12	State Final Release	
	HARTING Electric GmbH & Co. KG D-32339 Espelkamp		Title Han 16B Protect Cover with latch Thermop				Doc-Key / ECM-Nr. 100847071/UGD/000/B 500000159695	
			Type TB	Number 09 30 016 5401			Rev. B	Page 1/1
All Dimensions in mm Original Size DIN A4			Scale 1:1	Free size tol.			Ref. Sub. TB 09 30 016 5401 v.20.09.99	