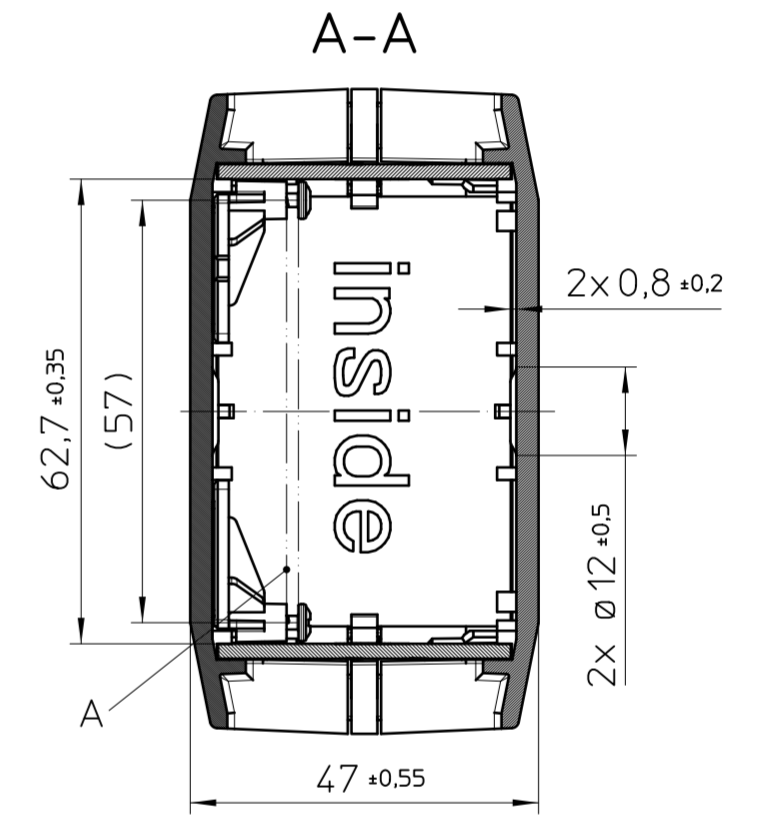
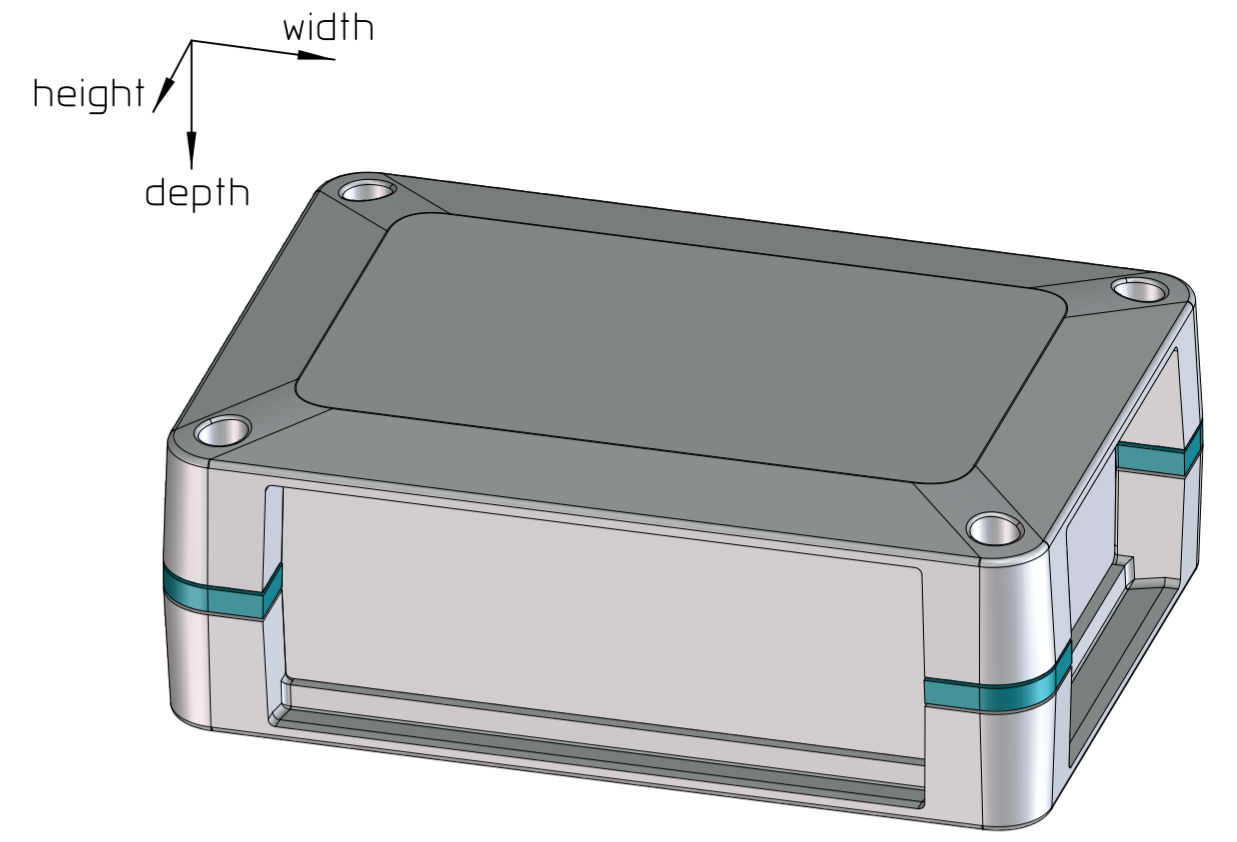
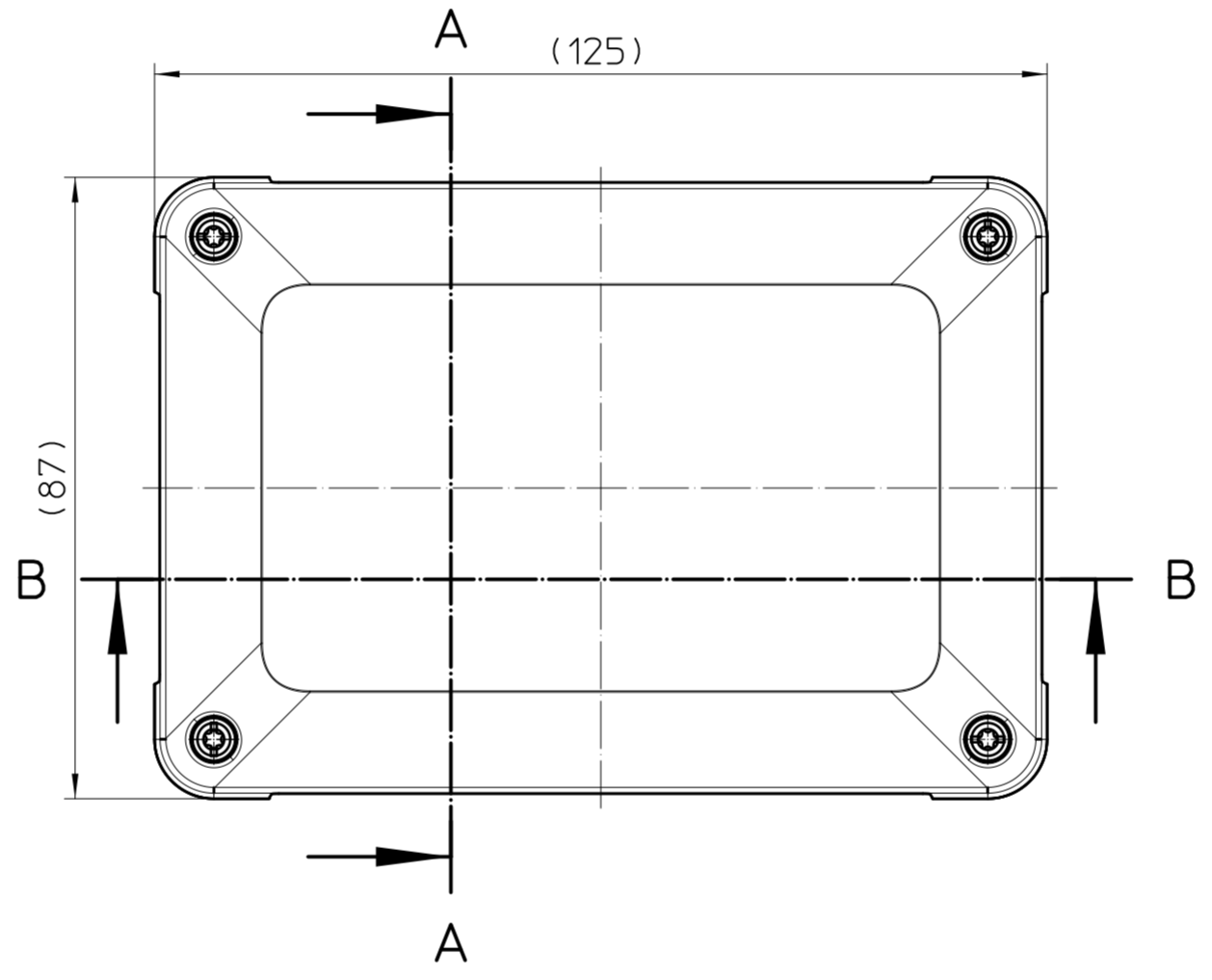
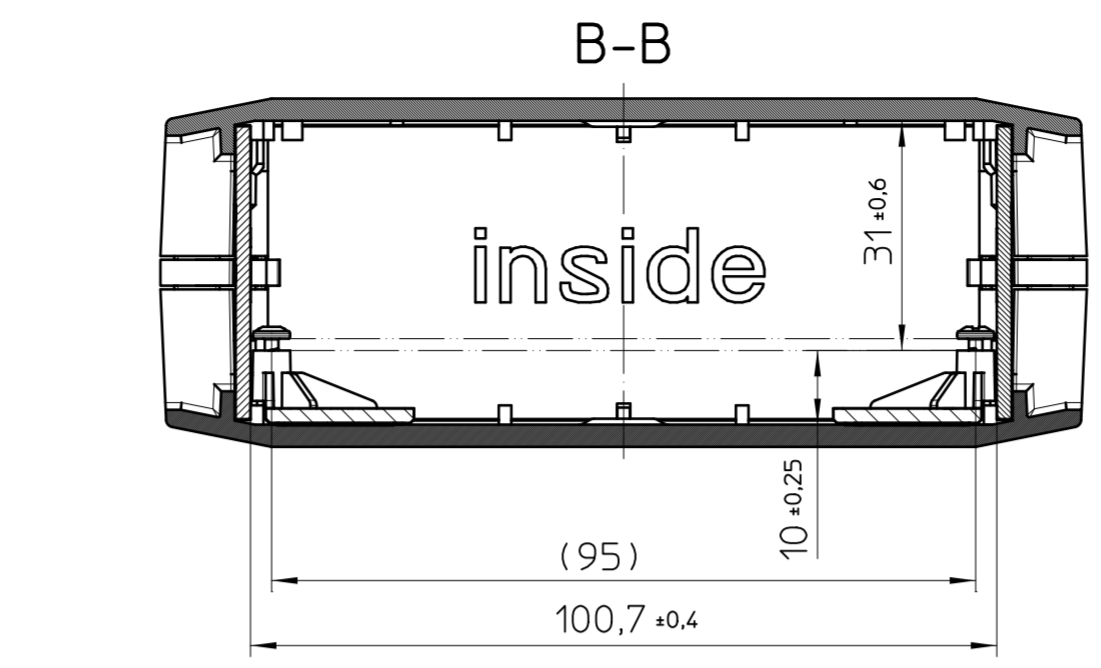
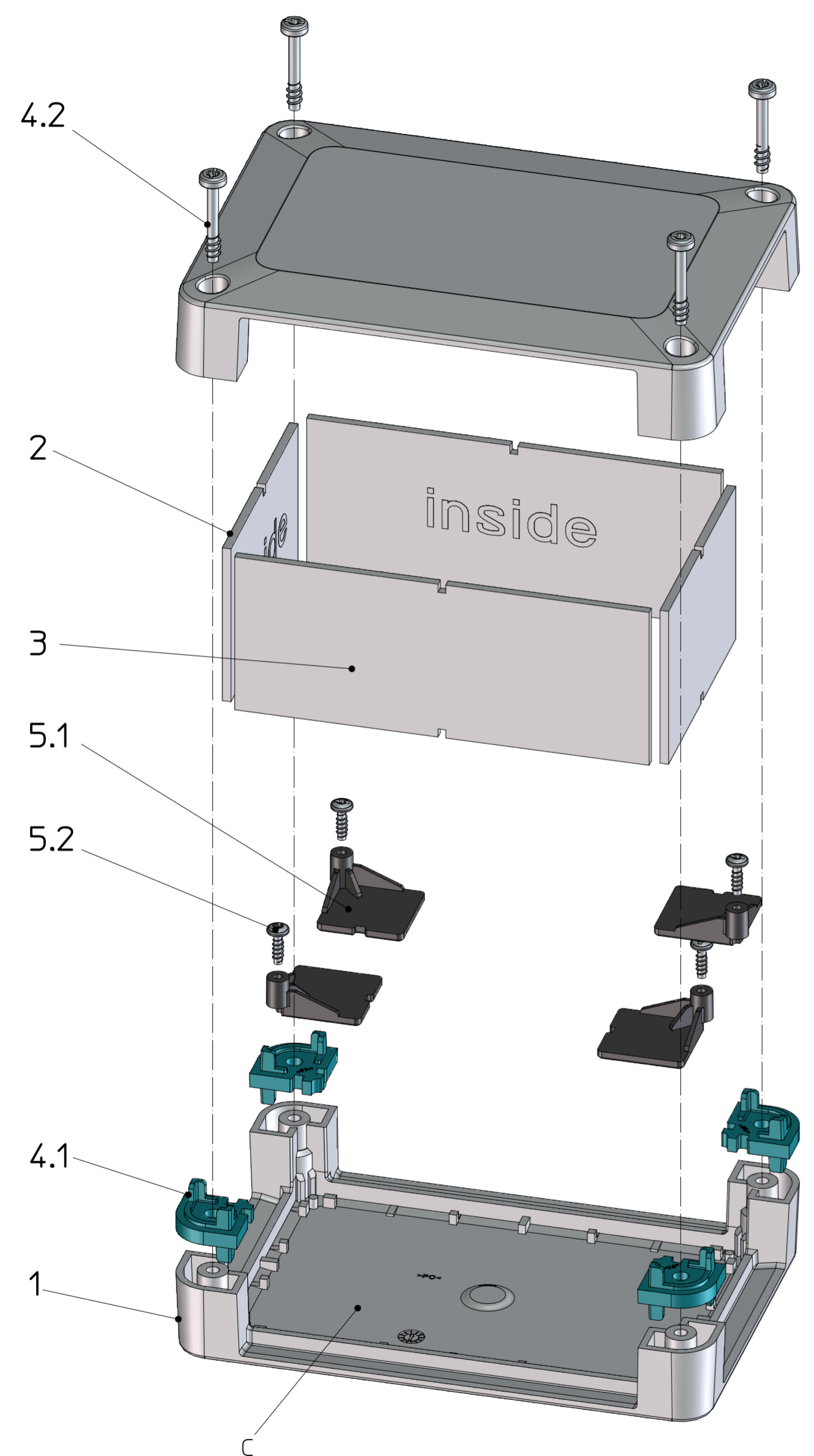


Transfer or duplication of this document as well as the utilisation or communication of its content are not permitted unless express consent is granted. Violations give rise to claims for damages. All rights reserved in case of patent, utility model or design patent registrations. Tolerance specifications do not include clearances inherent in the design.

Weitergabe sowie Vervielfältigung dieses Dokuments, Verwertung und Mitteilung seines Inhalts sind verboten, soweit nicht ausdrücklich gestattet. Zuwiderhandlungen verpflichten zu Schadensersatz. Alle Rechte für den Fall der Patent-, Gebrauchsmuster- oder Designeintragung vorbehalten. Bauabfertigungsspiel ist in den Toleranzangaben nicht berücksichtigt.



General Information:

- Simplified representation, exemplary shown in gray and for Corner Connector (4.1) turquoise
- Tolerances apply in a normal climate according to DIN EN ISO 291-23/50-2, PA plastic parts with about 2% (% by weight) moisture content.
- Web: www.phoenixcontact.com webcode: #0853

Additional Information:

- A. PCB t=0,8-3mm
- B. PCB area free option for customer max. PCB surface = 100mmx62mm
- C. Free position for UCS GD (Pos. 5.1+5.2) example position for max. PCB

KIT (not mounted)			
Pos.	QTY	Description	Item number
1	2	HALF HOUSING 125-87	2203349
2	2	SIDE WALL 87 FLAT	2203358
3	2	SIDE WALL 125 FLAT	2203364
4	1	CORNER CONNECTOR KIT	2203404
4.1	4	CORNER CONNECTOR	
4.2	4	SCREW PT 3,5X20 TORX	
5	1	GLUE DOME KIT	2203401
5.1	4	GLUE DOME	
5.2	4	SCREW PT 2,5X8 TORX	

	document-no. / ri	article-no.	scale	- Simplified representation - Document excluded from change process - Linear dimensions (mm)
	01030993 / 07	2203329	1:1	
	date	document-type	description UCS 125-87-F-GD 9005	
	10.12.2024	TECDOC_2D_Productdrawing		
page 1	of 1			