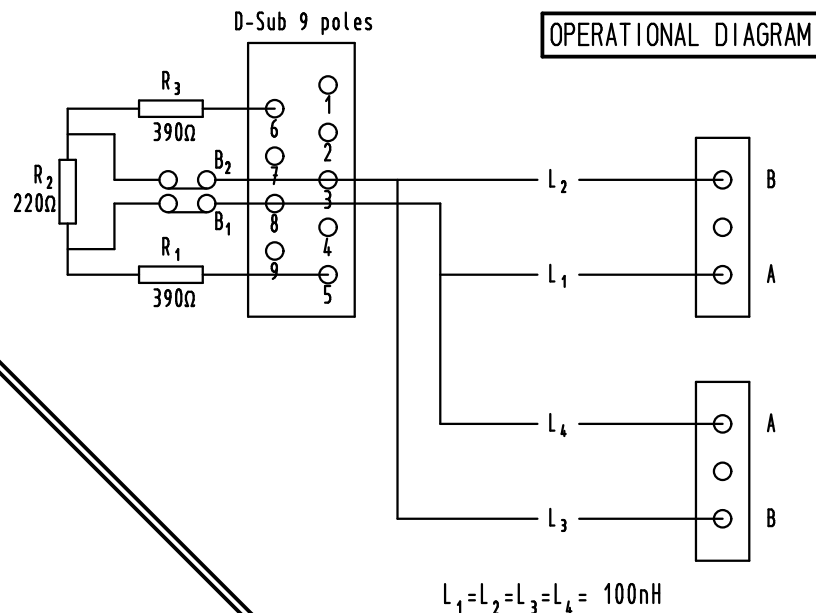
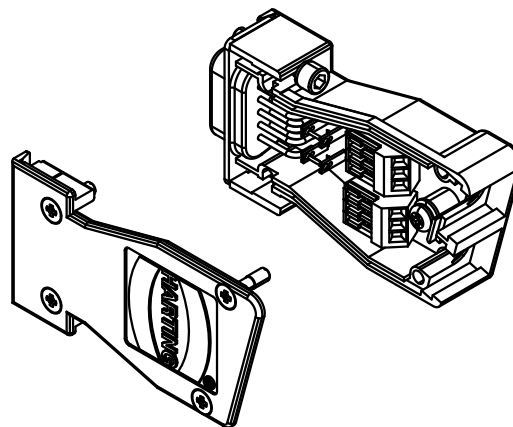
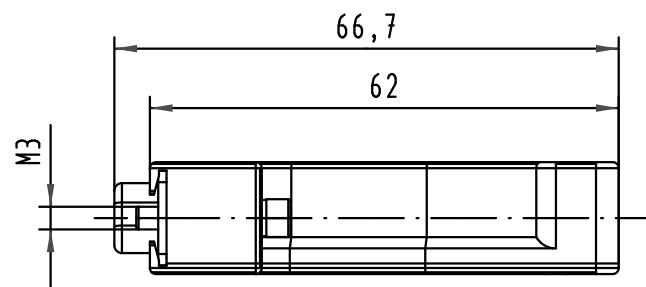
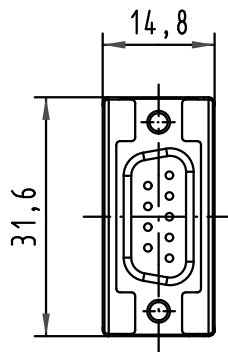
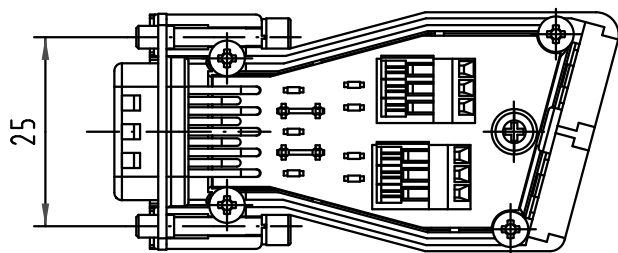


Darstellung ohne Deckel
view without cover



im Set enthalten
in set inclusive

| Anzahl number | Bezeichnung description |
|------------------|--|
| 1 | Blindstopfen 9-37 blanking piece 9-37 |

| | | | | | |
|---|-------------------|------------------|---------------|---|---|
| <p>ALL Dimensions in mm Original Size DIN A 4</p> | Techn. Character. | | | Nicht tolerierte Maß/Free size tolerances | |
| | | Dat. | Name | Maßstab/Scale | |
| | | Detail. 06.04.05 | Bus. | 1:1 | |
| | | Insp. | | | |
| | Stand. | | | | |
| 36093 | 20/09/10 | SC | HARTING EURL | | InduCom 9 Male - Profibus - M3 Without clamp accessory |
| 32614 | | | F-95972 Paris | | |
| Mod. | Dat. | Name | | | TB 66 63 009 x003 |
| Part number Performance level | | | | | Blatt/ page 1 / 1 |

66 63 009 6003

PL2

Part number

Performance level

36093

20/09/10

SC

HARTING EURL

F-95972 Paris

Mod.

Dat.

Name



TB 66 63 009 x003

Sub.

Blatt/ page

1 / 1