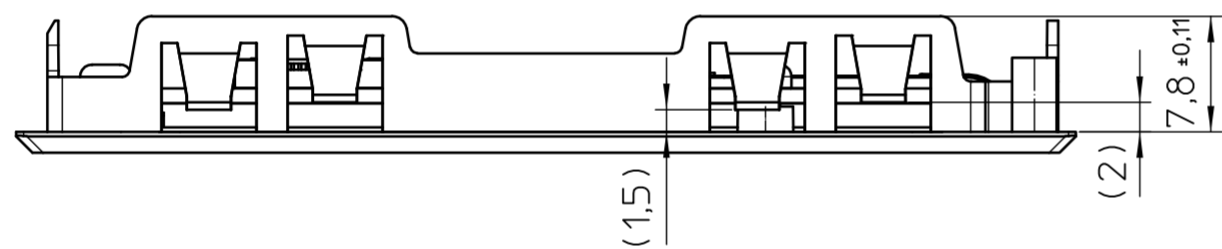
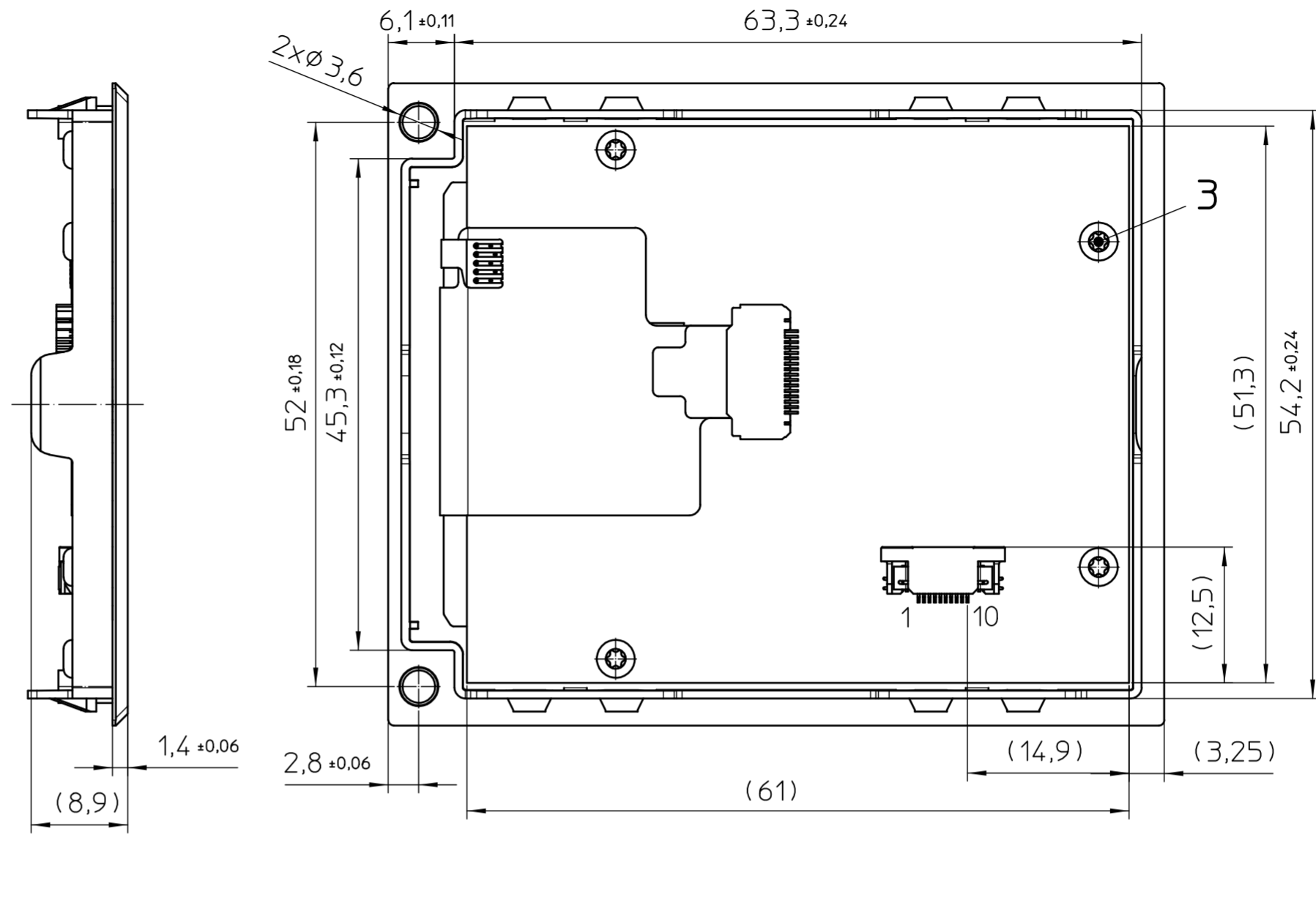
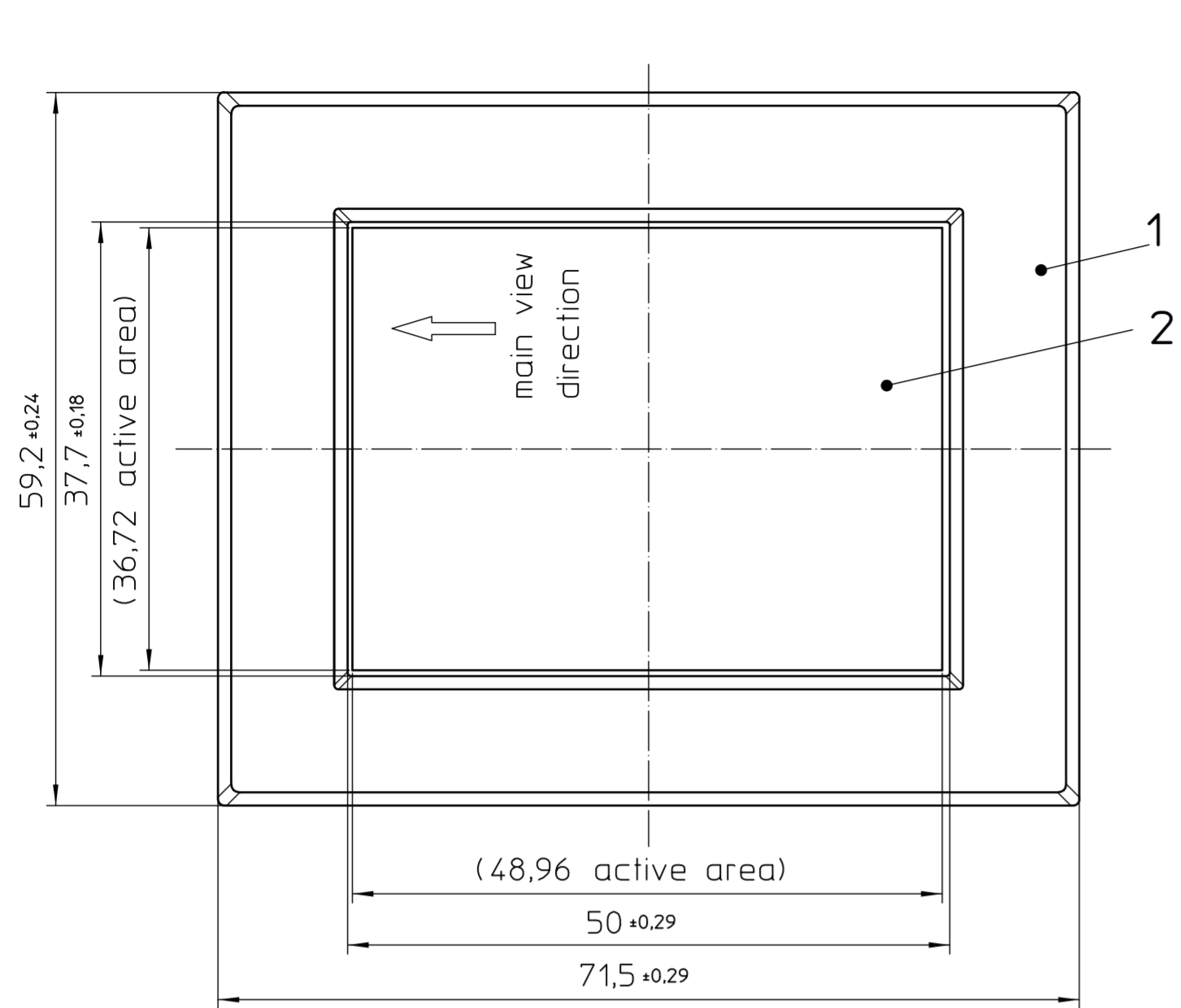


Transfer or duplication of this document as well as the utilisation or communication of its content are not permitted unless express consent is granted. Violations give rise to claims for damages. All rights reserved in case of patent, utility model or design patent registrations.

Weitergabe sowie Vervielfältigung dieses Dokuments, Verwertung und Mitteilung seines Inhalts sind verboten, soweit nicht ausdrücklich gestattet. Zuwiderhandlungen verpflichten zu Schadensersatz. Alle Rechte für den Fall der Patent-, Gebrauchsmuster- oder Designeintragung vorbehalten.



General Information:

- Simplified representation
- Document excluded from change process
- Units are in millimeters [mm] and degrees [°]
- Tolerances apply in a normal climate according to DIN EN ISO 291-23/50-2, PA plastic parts with about 2% (% by weight) moisture content.
- Web: www.phoenixcontact.com webcode: #1639

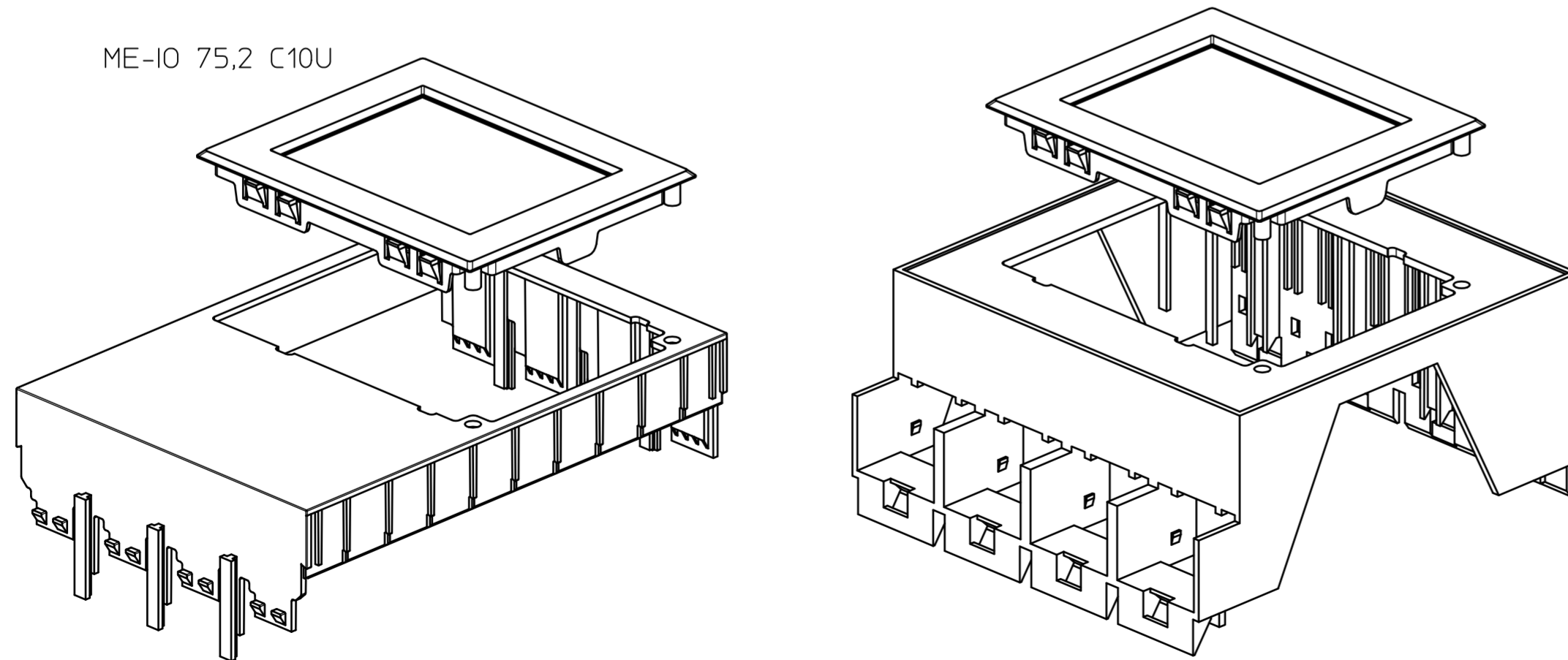
Additional Information:

- Recommended housing ME-IO Cover, ME..OT-1MSTBO

Recommended housing

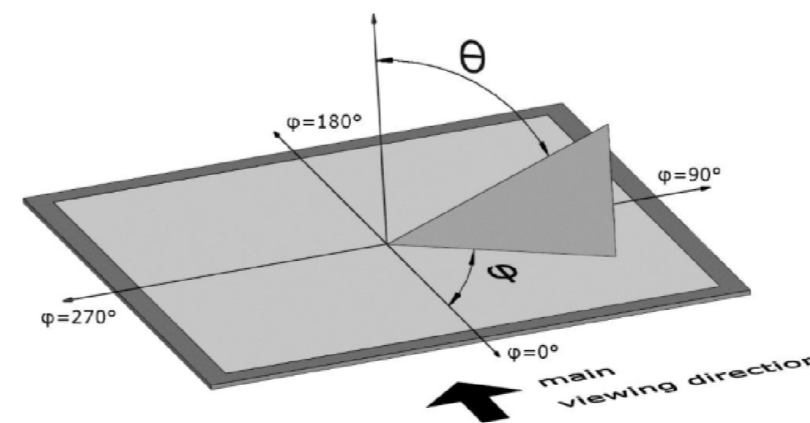
ME90-OT-1MSTBO

ME-IO 75,2 C10U



Optical characteristics

	Symbol	Condition	Typical
Viewing angle	θ	$\theta(\text{Phi}=0^\circ)$	65°
		$\theta(\text{Phi}=90^\circ)$	65°
		$\theta(\text{Phi}=180^\circ)$	55°
		$\theta(\text{Phi}=270^\circ)$	65°



Pos.	QTY	Description
1	1	DISPLAY FRAME
2	1	DISPLAY T 2,4
3	4	SCREW PAN HEAD M2X4-PH

DIN A2	document-No. / RI 01204561 / 02	date 28.09.2021	scale 2:1
PHOENIX CONTACT	ident.-No. 2203539	document-type TECDOC 2D_Productdrawing	
page 1 of 1	description DFC T 2,4 QVGA S 5015		