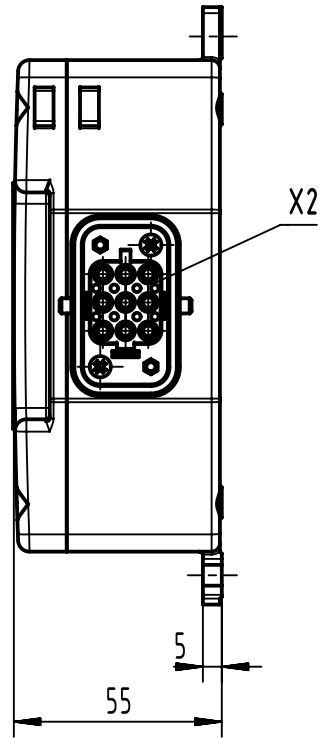


A

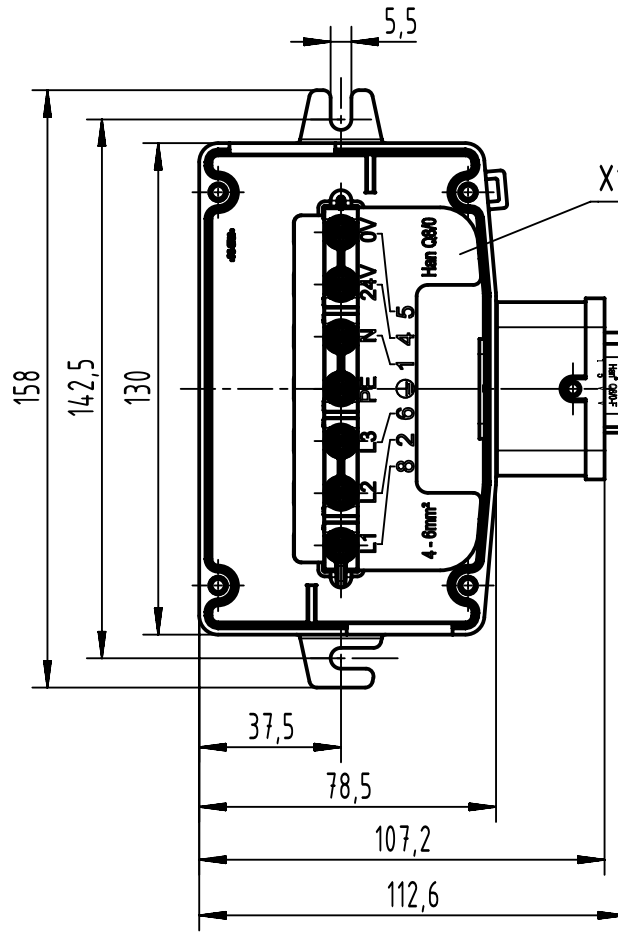
B

C

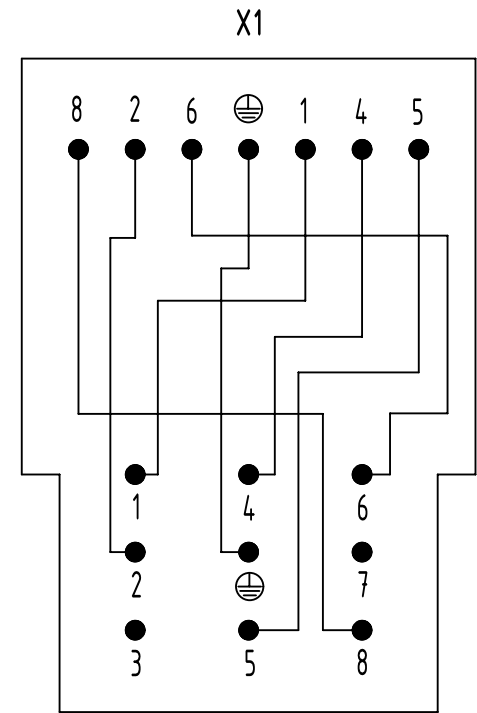
D



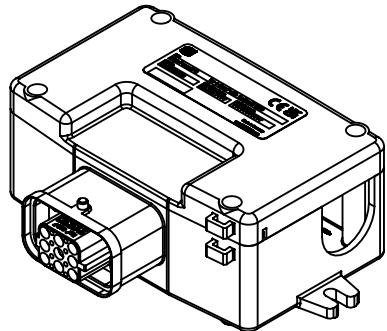
without cover



wiring plan



X2
Han Q8/0



	All rights reserved Department EL PD	All Dimensions in mm Original Size DIN A4		Scale 1:2	Free size tol.	Ref. Sub. TB 09 12 008 4811 v. 31.01.05	
		Created by HOLLERT	Inspected by RIEPE	Standardisation	Date 2023-02-14	State Final Release	
HARTING D-32339 Espelkamp		Title Han-Power S with 1x Han Q8/0-F; 4-6 mm ²				Doc-Key / ECM-Nr. 100226600/UGD/002/C 500000236599	
		Type TB	Number 09 12 008 4811		Rev. C	Page 1/1	