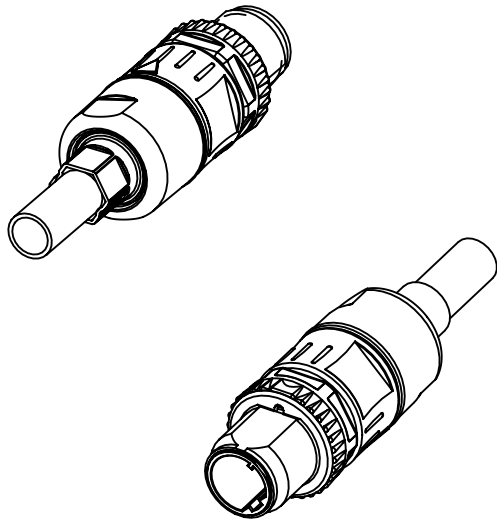
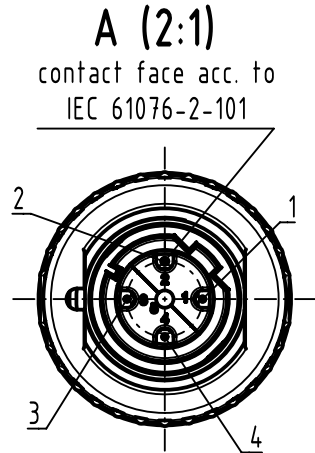
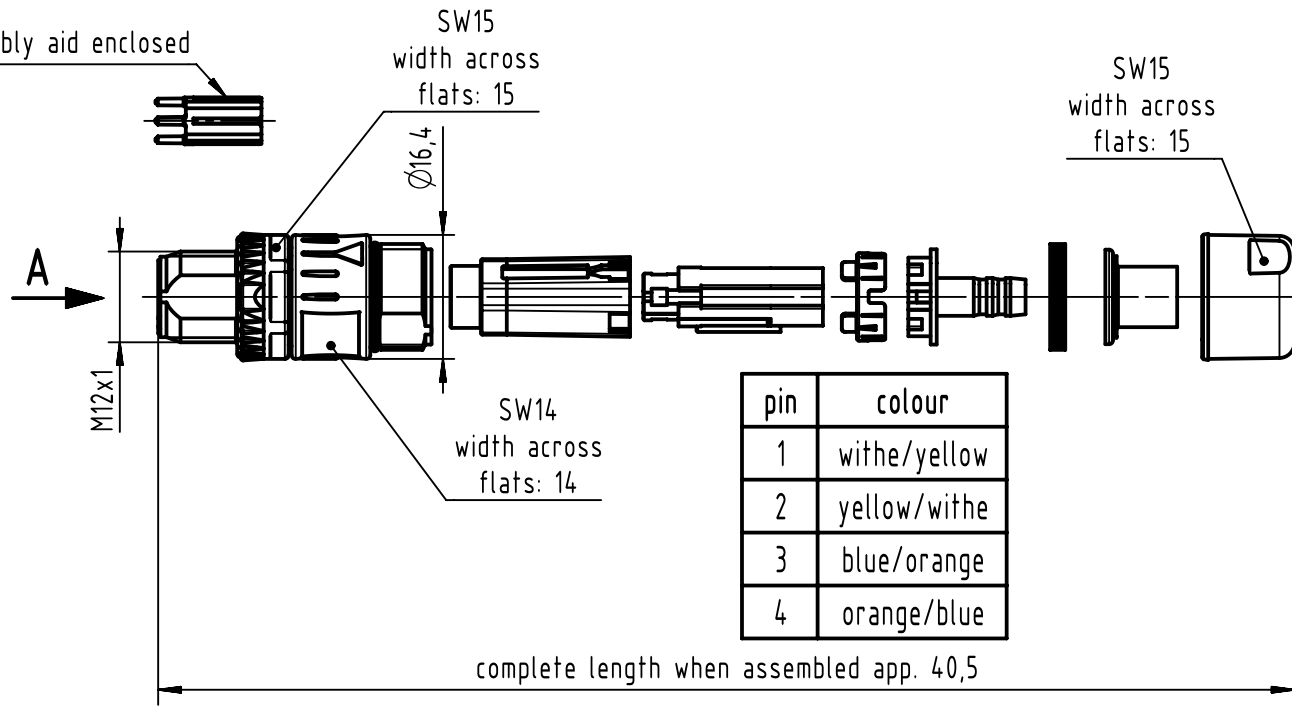


assembly aid enclosed



order contacts separately

Cable description	Cable diameter	Wire gauge	P/N contact	P/N Crimping insert	P/N Crimping Tool	P/N Mounting tool
RSCC TD-010301 2PR 24 AWG 7/32 Cat 5e 100 Ohms Stranded	6,0mm	AWG 26-22 AWG 24-20	09 67 000 5576 09 67 000 8576	0999 000 0648	0999 000 0647	0999 000 0639

	All Dimensions in mm Original Size DIN A4	Scale 1:1	Free size tol.		Ref.	
	All rights reserved Department EL PD	Created by 406403	Inspected by FARCASIU	Standardisation ROEBEN	Date 2023-09-07	State Final Release
HARTING D-32339 Espelkamp		Title M12-SD-CC-CRIMP-4P-DCOD-M-STR-CF			Doc-Key / ECM-Nr. 100800620/UGD/001/E 500000251147	
		Type TB	Number 21038811413		Rev. E	Page 1/1