

## Connector - with screwless terminals



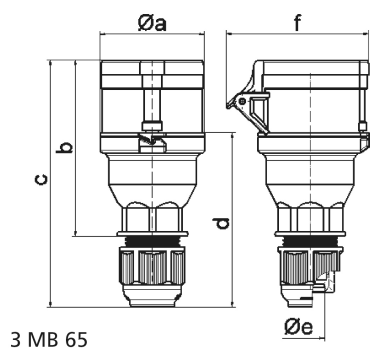
| Product description       |                         |
|---------------------------|-------------------------|
| BALS-Prd.-Nr              | 3137                    |
| EAN                       | 4024941031370           |
| Product category          | Connector QUICK-CONNECT |
| Current                   | 32A                     |
| Number of poles           | 3p                      |
| Poles                     | 2P+PE                   |
| Position of earth contact | 4 h                     |
| Voltage                   | 100 up to 130V          |
| Frequency                 | 50 and 60Hz             |

| Product description    |  |
|------------------------|--|
| Protection degree      | IP44   |
| Colour code            | yellow RAL 1012  |
| Colour of appliance    | Collar yellow RAL 1012, Hinged lid yellow RAL 1012, Housing cover grey RAL 7035, Cable gland grey RAL 7035 |
| Connection design      | screwless spring terminals as cage clamp with Kontex-contact   |
| Maximum conductor size | 6,0 qmm  |
| Cable entry            | Cable gland  |
| Height                 | 194mm  |
| Width                  | 79mm   |
| Depth                  | 93mm   |
| Material of enclosure  | Polyamide  |
| Contact                | The contact carrier is made of polyamide, The contacts are brass   |

| Additional technical properties |  |
|---------------------------------|--|
|                                 | Multi-Grip cable gland with gasket and integrated strain relief, Screwless housing connection with snap fastening, For cable diameter from 11 up to max. 23,5 mm |

| Logistics data |                 |
|----------------|-----------------|
| Weight/pcs     | 0.25 kg / Piece |
| Packaging      | Bag             |
| Content amount | 1 ST            |

| Logistics data |               |
|----------------|---------------|
| EAN            | 4024941031370 |
| Length         | 93 mm         |
| Width          | 79 mm         |
| Height         | 194 mm        |
| Weight         | 0.251 kg      |
| Volume         | 1,425.318 ccm |
| Packaging      | Carton        |
| Content amount | 10 ST         |
| EAN            | 4024941969048 |
| Length         | 295 mm        |
| Width          | 185 mm        |
| Height         | 215 mm        |
| Weight         | 2.664 kg      |
| Volume         | 9,975 ccm     |



| Ampere                     | 16    | 16    | 16    | 32    | 32    | 32    |
|----------------------------|-------|-------|-------|-------|-------|-------|
| Polzahl                    | 3     | 4     | 5     | 3     | 4     | 5     |
| a ø                        | 53,0  | 60,0  | 66,0  | 74,5  | 74,5  | 74,5  |
| b                          | 100,5 | 112,5 | 113,5 | 133,5 | 133,5 | 134,5 |
| c                          | 141,0 | 153,0 | 154,0 | 186,0 | 186,0 | 187,0 |
| d                          | 97,5  | 104,5 | 105,5 | 127,5 | 127,5 | 128,5 |
| e ø                        | 18,0  | 18,0  | 18,0  | 23,0  | 23,0  | 23,0  |
| f                          | 76,0  | 79,0  | 86,0  | 92,0  | 92,0  | 97,0  |
| Leiter mm <sup>2</sup> min | 1     | 1     | 1     | 2,5   | 2,5   | 2,5   |
| Leiter mm <sup>2</sup> max | 2,5   | 2,5   | 2,5   | 6     | 6     | 6     |
|                            |       |       |       |       |       |       |
|                            |       |       |       |       |       |       |
|                            |       |       |       |       |       |       |