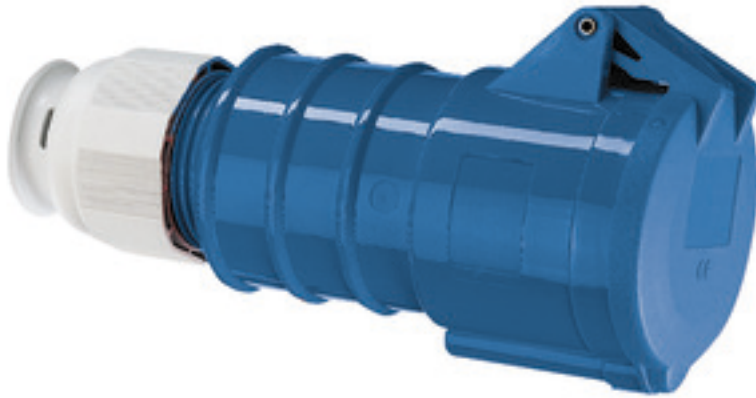


Connector - 7 poles, with Multi-Grip



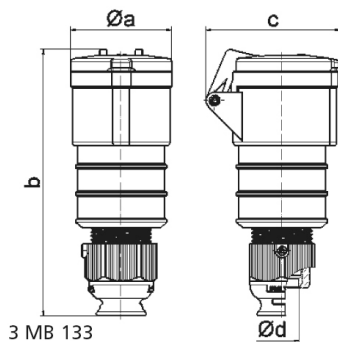
Product description	
BALS-Prd.-Nr	310311
EAN	4024941105026
product category (PG)	Connector TE
current (A)	16A
number of poles (P99)	7p
number of poles (P)	6p+PE
position of earth contact (H)	9 h
voltage (V)	230V
frequency (HZ)	50 and 60Hz

Product description	
protection degree (SA)	IP44
colour code 1 (KF1)	blue RAL 5015
Colour of appliance	Enclosure blue RAL 5015, Hinged lid blue RAL 5015, Cable gland grey RAL 7035
connection design (AT)	with screw terminal
maximum conductor size (LQ)	2,5 qmm
cable entry (KE)	Cable gland
Height	173mm
Width	65mm
Depth	86mm
material of enclosure (GM)	Polyamide
contact	The contact carrier is made of high temperature resistant material, the contacts are brass nickel plated

Additional technical properties	
	For cable diameter from 10 up to max. 21 mm, Multi-Grip cable gland with gasket, integrated cable clamp and additional water evacuation openings

Logistics data	
Weight/pcs	0.248 kg / Piece
Packaging	Bag
Content amount	1 ST
EAN	4024941105026

Logistics data	
Length	86 mm
Width	65 mm
Height	173 mm
Weight	0.249 kg
Volume	967.07 ccm
Packaging	Carton
Content amount	10 ST
EAN	4024941959049
Length	245 mm
Width	177 mm
Height	185 mm
Weight	2.613 kg
Volume	7,140 ccm



Ampere	16	32						
Polzahl	7	7						
a ø	65,0	72,0						
b	168,0	198,0						
c	86,0	99,0						
d ø	21,0	27,0						
Leiter mm ² min	1	2,5						
Leiter mm ² max	2,5	6						