

Wall mounting socket outlet - 7 poles, housing dimensions 170x90



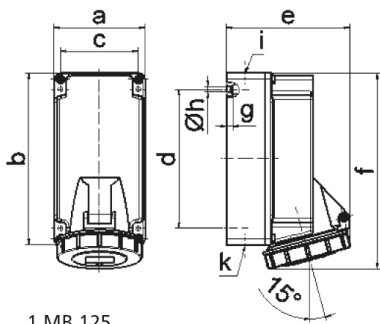
Product description	
BALS-Prd.-Nr	11542
EAN	4024941115421
product category (PG)	TE wall mounting socket outlet
current (A)	16A
number of poles (P99)	7p
number of poles (P)	6p+PE
position of earth contact (H)	6 h
voltage (V)	400V

Product description	
frequency (HZ)	50 and 60Hz
protection degree (SA)	IP67
colour code 1 (KF1)	red RAL 3000
Colour of appliance	Hinged lid red RAL 3000, Bayonet ring grey RAL 7035, Housing bottom grey RAL 7035, Housing top grey RAL 7035
connection design (AT)	with screw terminal
maximum conductor size (LQ)	4,0 qmm
cable entry (KE)	top entry M20 bottom entry M25/20
Height	195mm
Width	90mm
Depth	123mm
dimension of enclosure (GG)	170x90 mm (HxW)
material of enclosure (GM)	Polycarbonate
contact	The contact carrier is made of high temperature resistant material, the contacts are brass nickel plated

Additional technical properties	
	The cable entry is one at top open and two at bottom closed
	Lower part of housing rotatable by 180°

Logistics data	
Weight/pcs	0.495 kg / Piece

Logistics data	
Packaging	Carton
Content amount	1 ST
EAN	4024941115421
Length	205 mm
Width	102 mm
Height	134 mm
Weight	0.555 kg
Volume	2,118.48 ccm



Ampere	16								
Polzahl	7								
a	90,0								
b	170,0								
c	77,0								
d	137,5								
e	122,0								
f	195,0								
g	6,5								
h ø	5,5								
i	M20								
k	M20/25								
Leiter mm ² min	1,5								
Leiter mm ² max	4								