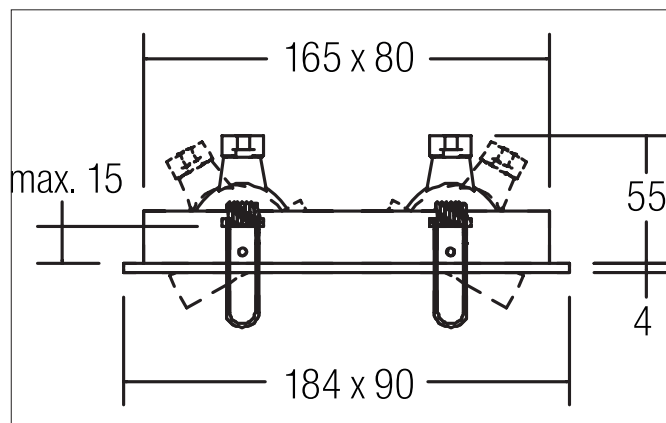


Recessed spot, 2-x

Artikel-Nr. 512812

Licht.
Für Generationen.**Tender**

Recessed spot, 2-x, alu, square. In a compact design, for installation in tool-less rapid assembly systems Lamp holder: GX5.3, Mounting method: Recessed mounting, Place of installation: Ceiling-mounted, Material: Aluminium, Degree of protection: according to DIN EN 60529 IP20, Protection class: (EN 61140) III, Voltage: 12V, Power: 50W, Amount of light sources / fittings: 2.0 Qty, Adjustability: Pivoted, With control gear: No, Control: Dimming depending on driver.

Article data	
Artikel-Nr.	512812
GTIN	4250047760252
Kurzbeschreibung	Recessed spot, 2-x
Material	Aluminium
Colour	Alu
Type of surface	Matt
Shape	square
Built-in width	80 mm
Built-in length	165 mm
Installation depth	55 mm
Length	180 mm
Width	90 mm
weight	0.300 kg

Recessed spot, 2-x

Artikel-Nr. 512812

Licht.
Für Generationen.

Operating technology of the luminaires	
System output	50 W
Voltage type	AC/DC
AC nominal voltage max	12 V
Frequenz max.	50 Hz
Lamp	LV halogen lamp
Lamp holder	GX5.3
Protection class	III
Degree of protection	IP20
Control	Dimming depending on driver
Leuchtmittelwechsel möglich	ja

Mounting technology	
Mounting method	Recessed mounting
Place of installation	Ceiling-mounted
Adjustability	Pivoted
Swivel angle	30°
Further references	No cover with thermal insulation material
Circlip	Without circlip

Packing data	
Gross weight	0.387 kg
Length of packaging	180 mm
Packaging width	50 mm
Packaging height	110 mm