

Connector - with screwless terminals, for harsh applications



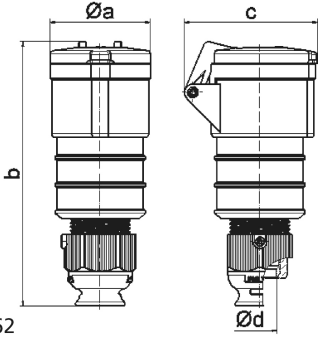
Product description	
BALS-Prd.-Nr	31981
EAN	4024941319812
Product category	Connector QUICK-CONNECT TE
Current	32A
Number of poles	5p
Poles	3p+N+PE
Position of earth contact	6 h
Voltage	200/346 up to 240/415V

Product description	
Frequency	50 and 60Hz
Protection degree	IP44
Colour code	red RAL 3000
Colour of appliance	Hinged lid red RAL 3000, Enclosure red RAL 3000, Cable gland grey RAL 7035
Connection design	screwless spring terminals as cage clamp with Kontex-contact
Maximum conductor size	6,0 qmm
Cable entry	Cable gland
Height	199mm
Width	72mm
Depth	99mm
Material of enclosure	Polyamide
Contact	The contact carrier is made of high temperature resistant material, the contacts are brass nickel plated

Additional technical properties	
	For cable diameter from 13 up to max. 27 mm, Multi-Grip cable gland with gasket, integrated cable clamp and additional water evacuation openings

Logistics data	
Weight/pcs	0.384 kg / Piece
Packaging	Bag
Content amount	1 ST

Logistics data	
EAN	4024941319812
Length	99 mm
Width	72 mm
Height	199 mm
Weight	0.385 kg
Volume	1,418.472 ccm
Packaging	Carton
Content amount	10 ST
EAN	4024941828147
Length	325 mm
Width	217 mm
Height	210 mm
Weight	4.046 kg
Volume	13,588.4 ccm



3 MB 62

Ampere	16	16	16	32	32	32
Polzahl	3	4	5	3	4	5
a ø	51,0	58,0	65,0	66,5	66,5	72,0
b	156,0	162,0	168,0	195,0	195,0	198,0
c	72,0	78,0	86,0	89,0	89,0	99,0
d ø	18,0	18,0	21,0	23,0	23,0	27,0
Leiter mm ² min	1	1	1	2,5	2,5	2,5
Leiter mm ² max	2,5	2,5	2,5	6	6	6