

## Wall mounting socket outlet, direct current - housing dimensions 87x64



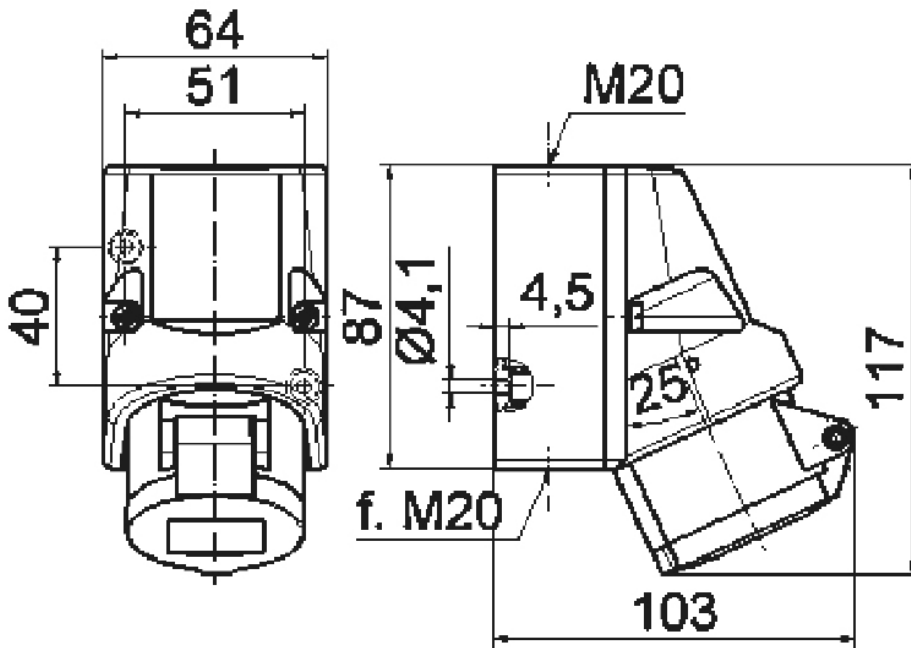
Product description	
BALS-Prd.-Nr	11032
EAN	4024941110327
product category (PG)	Wall mounting socket outlet
current (A)	16A
number of poles (P99)	3p
number of poles (P)	2P+PE
position of earth contact (H)	3 h
voltage (V)	over 50 up to 250V

Product description	
frequency (HZ)	direct current (DC)
protection degree (SA)	IP44
colour code 1 (KF1)	gray RAL 7035
Colour of appliance	Hinged lid grey RAL 7035, Housing bottom grey RAL 7035, Housing top grey RAL 7035, Collar grey RAL 7035
connection design (AT)	with screw terminal
maximum conductor size (LQ)	4,0 qmm
cable entry (KE)	top entry M20
Height	118mm
Width	64mm
Depth	104mm
dimension of enclosure (GG)	87x64 mm (HxW)
material of enclosure (GM)	Polyamide
contact	The contact carrier is made of high temperature resistant material, the contacts are brass nickel plated

Additional technical properties	
	The cable entry is one at top open and one at bottom and one rear side closed
	Lower part of housing rotatable by 180°

Logistics data	
Weight/pcs	0.196 kg / Piece

Logistics data	
Packaging	Bag
Content amount	1 ST
EAN	4024941110327
Length	104 mm
Width	64 mm
Height	118 mm
Weight	0.197 kg
Volume	785.408 ccm
Packaging	Carton
Content amount	10 ST
EAN	4024941819862
Length	258 mm
Width	183 mm
Height	212 mm
Weight	2.112 kg
Volume	8,750 ccm



## 1 MB 35