



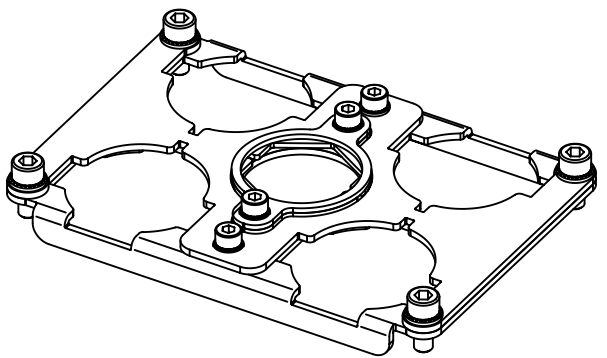



separately enclosed:

-  4x fillister head cup screw M4x10 (SW3)
-  4x washer M4
-  4x fillister head cup screw M5x12 (SW4)
-  4x washer M5



	All Dimensions in mm Original Size DIN A4		Scale 1:2		Free size tol.		Ref.			
	All rights reserved Department EL PD - DE		Created by HOLLERT		Inspected by SCHNIEDER		Standardisation TIEMANNA			
HARTING Electric GmbH & Co. KG D-32339 Espelkamp		Title Han 48HPR-M frame for (4xHC650/1XHC350)					Date 2014-07-08		State Final Release	
		Type TB					Number 09 40 048 9813		Doc-Key / ECM-Nr. 100131069/UGD/003/B 500000076488	
							Rev. B		Page 1/1	