

Accessories sockets - 38x38

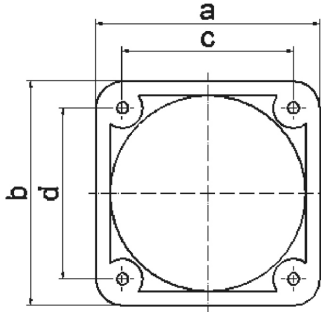


Product description	
BALS-Prd.-Nr	1843
EAN	4024941018432
product category (PG)	Mounting frame
colour code 1 (KF1)	gray RAL 7035
Height	50mm
Width	50mm
Depth	13mm
Flange size vertical	50mm
Flange size horizontal	50mm

Product description	
Drill hole distance vertical	38mm
Drill hole distance horizontal	38mm
material of enclosure (GM)	Polyamide

Logistics data	
Weight/pcs	7.1 g / Piece
Packaging	Bag
Content amount	1 ST
EAN	4024941018432
Length	13 mm
Width	50 mm
Height	50 mm
Weight	8.1 g
Volume	32.5 ccm
Packaging	Carton
Content amount	100 ST
EAN	4024941326940
Length	275 mm
Width	175 mm
Height	137 mm
Weight	835 g

Logistics data	
Volume	5,737.5 ccm



a	b	c	d	e	Bestell-Nr.
50	50	38	38	13	1843
54	54	44	44	10	1847
57	66	47	47	10	1848
60	60	50	50	10	1849
62	62	52	52	10	1850
62	70	52	60	10	1851

30 MB 182