

Connector - with screwless terminals



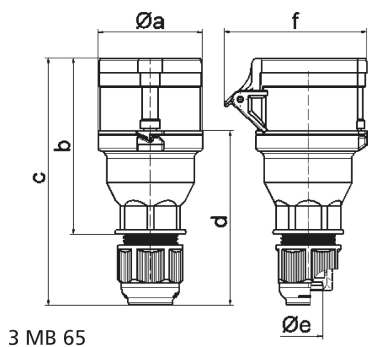
Product description	
BALS-Prd.-Nr	3137
EAN	4024941031370
Product category	Connector QUICK-CONNECT
Current	32A
Number of poles	3p
Poles	2P+PE
Position of earth contact	4 h
Voltage	100 up to 130V
Frequency	50 and 60Hz

Product description	
Protection degree	IP44
Colour code	yellow RAL 1012
Colour of appliance	Collar yellow RAL 1012, Hinged lid yellow RAL 1012, Housing cover grey RAL 7035, Cable gland grey RAL 7035
Connection design	screwless spring terminals as cage clamp with Kontex-contact
Maximum conductor size	6,0 qmm
Cable entry	Cable gland
Height	194mm
Width	79mm
Depth	93mm
Material of enclosure	Polyamide
Contact	The contact carrier is made of polyamide, The contacts are brass

Additional technical properties	
	Multi-Grip cable gland with gasket and integrated strain relief, Screwless housing connection with snap fastening, For cable diameter from 11 up to max. 23,5 mm

Logistics data	
Weight/pcs	0.25 kg / Piece
Packaging	Bag
Content amount	1 ST

Logistics data	
EAN	4024941031370
Length	93 mm
Width	79 mm
Height	194 mm
Weight	0.251 kg
Volume	1,425.318 ccm
Packaging	Carton
Content amount	10 ST
EAN	4024941969048
Length	295 mm
Width	185 mm
Height	215 mm
Weight	2.664 kg
Volume	9,975 ccm



Ampere	16	16	16	32	32	32
Polzahl	3	4	5	3	4	5
a ø	53,0	60,0	66,0	74,5	74,5	74,5
b	100,5	112,5	113,5	133,5	133,5	134,5
c	141,0	153,0	154,0	186,0	186,0	187,0
d	97,5	104,5	105,5	127,5	127,5	128,5
e ø	18,0	18,0	18,0	23,0	23,0	23,0
f	76,0	79,0	86,0	92,0	92,0	97,0
Leiter mm ² min	1	1	1	2,5	2,5	2,5
Leiter mm ² max	2,5	2,5	2,5	6	6	6