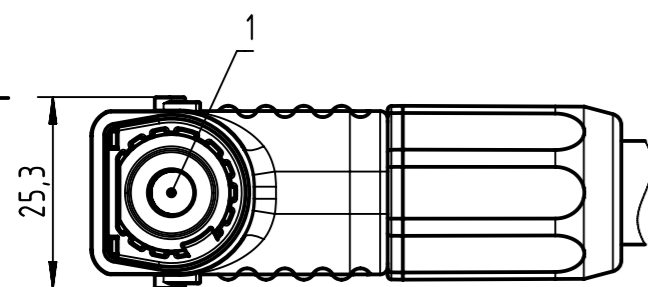
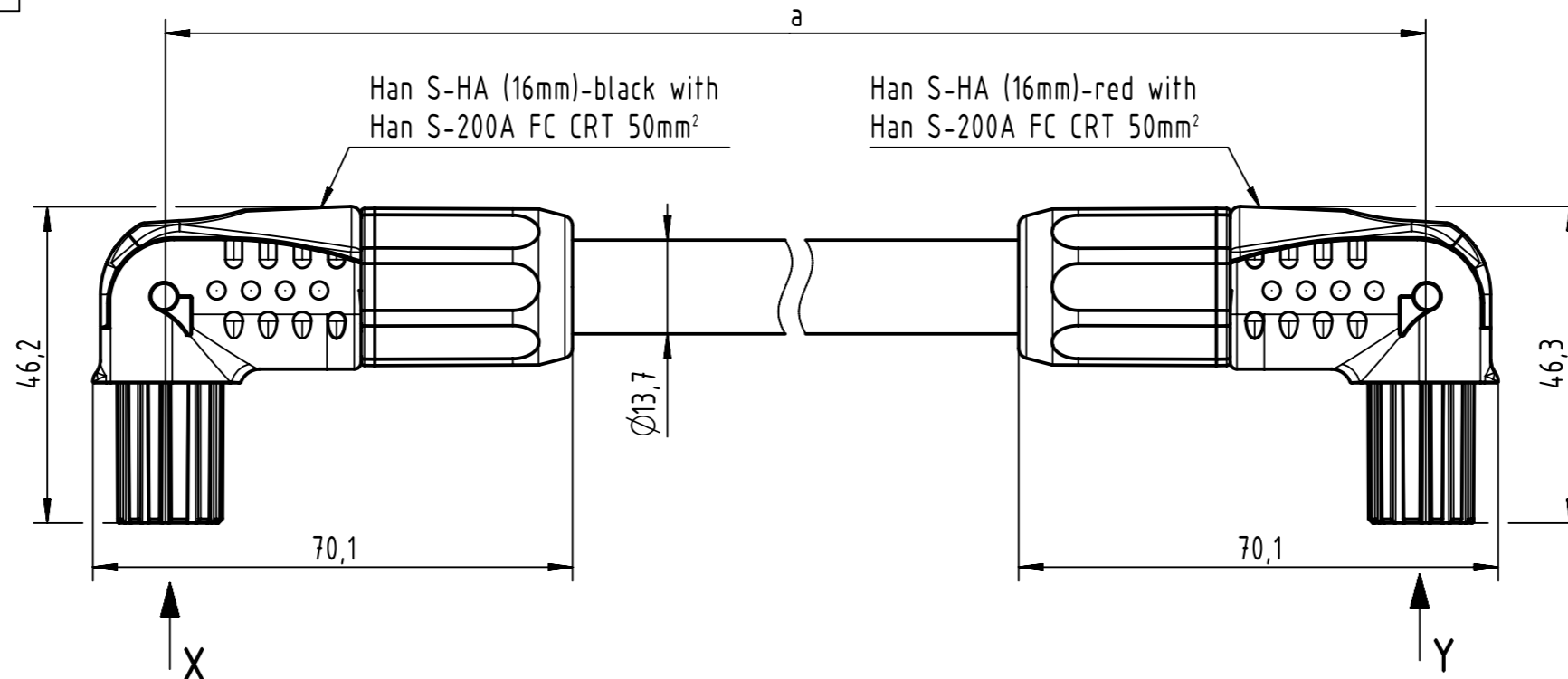


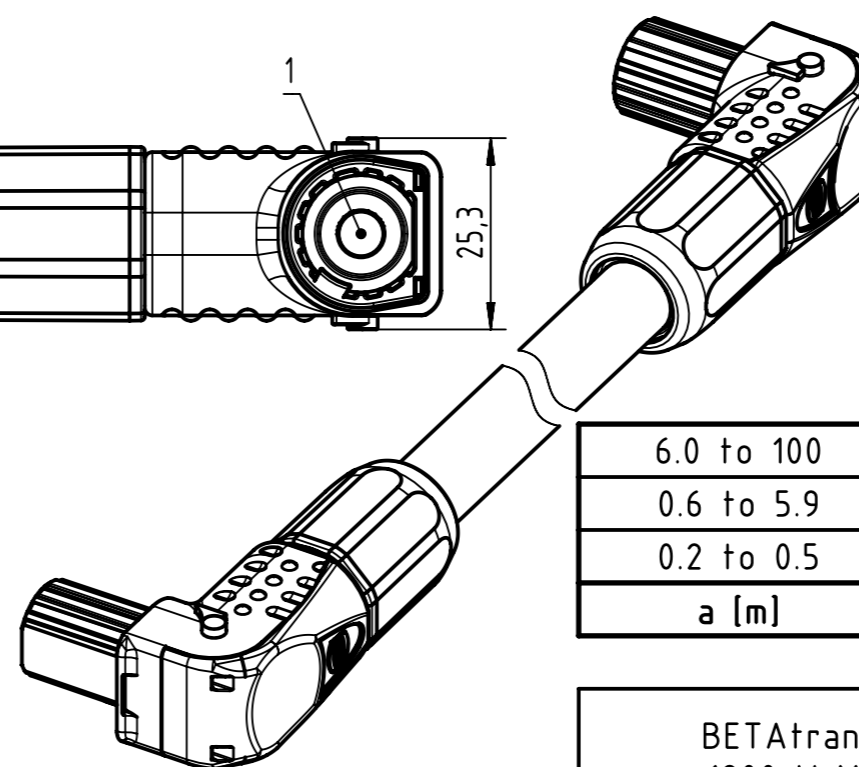
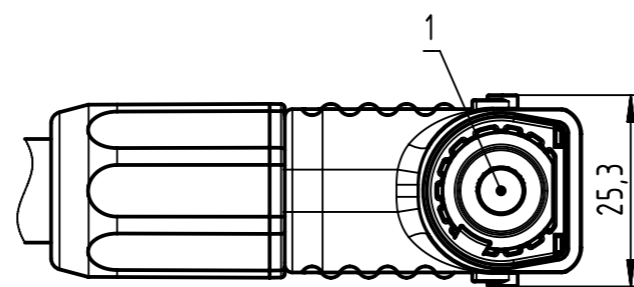
Connector Location A

Connector Location B



Loading Plan

1 — wire — 1



6.0 to 100	±1%
0.6 to 5.9	+0.04
0.2 to 0.5	+0.02
a [m]	Tolerance

length in "1m" step	100	XXX=000
	99	XXX=990
	12	XXX=120
	11	XXX=110
length in "0.1m" step	10	XXX=100
	9.9	XXX=099
	9.8	XXX=098
	0.5	XXX=005
	0.4	XXX=004
	0.3	XXX=003
	0.2	XXX=002
Step	a [m]	XXX

BETAtans 4 GKW-ENX  
1800 V M 50mm<sup>2</sup>, black

33506869245XXX

Type of cable

Part no.

NOTE:

- \* For lengths < 1.0m:  
- relative positioning of the connectors to each other will be as presented in the drawing, however with an admissible angular deviation around cable axis of ± 10°
- \* For lengths ≥ 1.0m:  
-relative positioning of the connectors to each other not obligatory
- \* Protection level: IP40
- \* Temperature range: -40°C ... +120°C

	All rights reserved	Created by COSTEA Costea	Inspected by 402676 Gross	Standardisation MUNTEANV Muntean	Date 2023-01-31	State Final Release
	Department HCS - RO	Title Han S 200 CA-c-b/r 50mm <sup>2</sup>		Doc-Key / ECM-Nr. 100948243/UGD/000/C 50000234324		
HARTING Customised Solutions D-32339 Espelkamp		Type TB	Number 33506869245XXX		Rev. C	Page 1/1