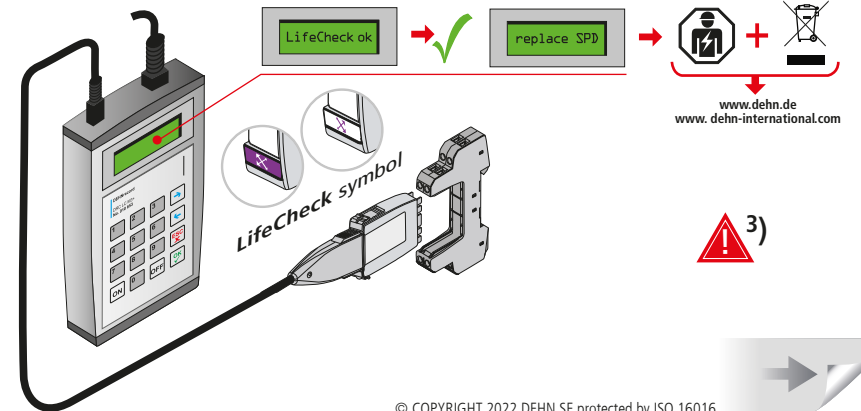
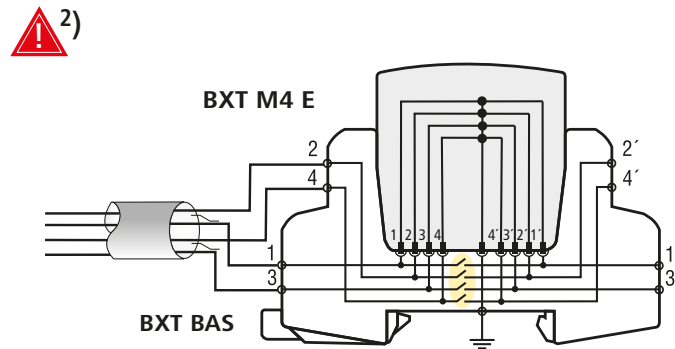
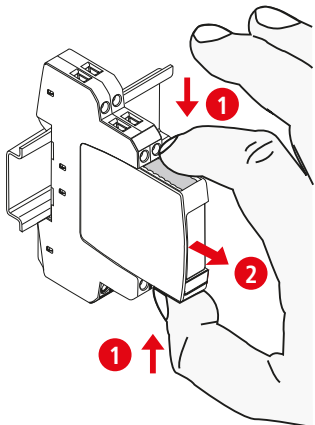
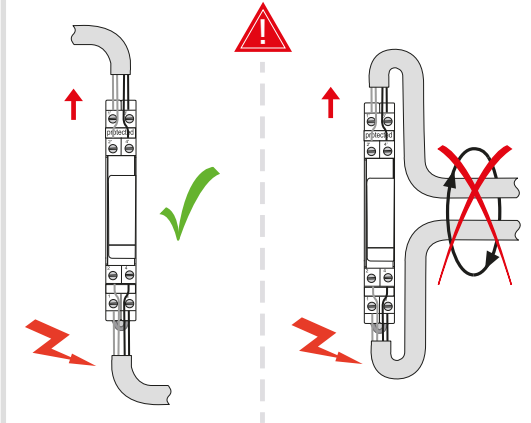
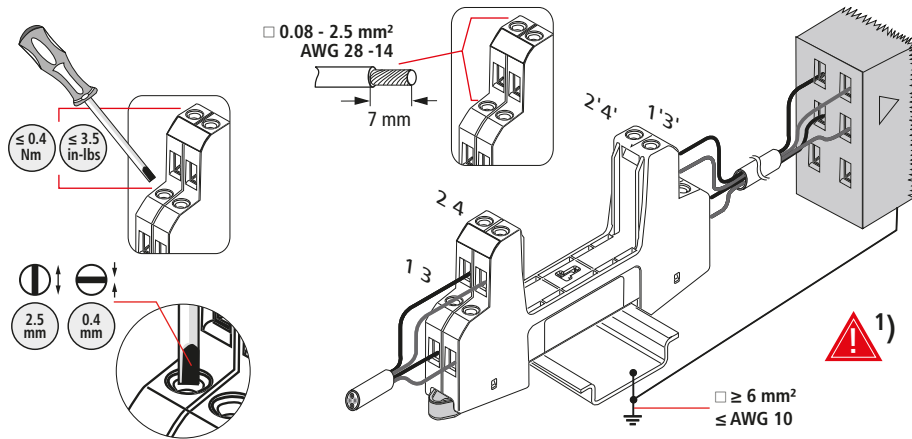
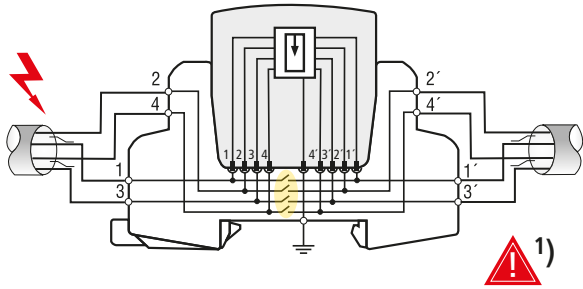
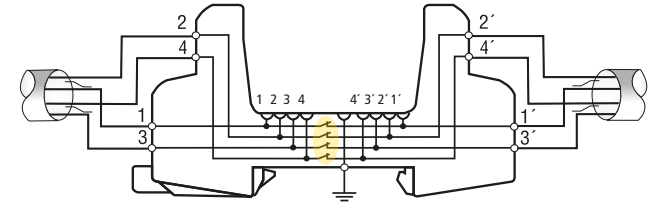
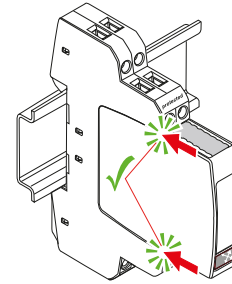
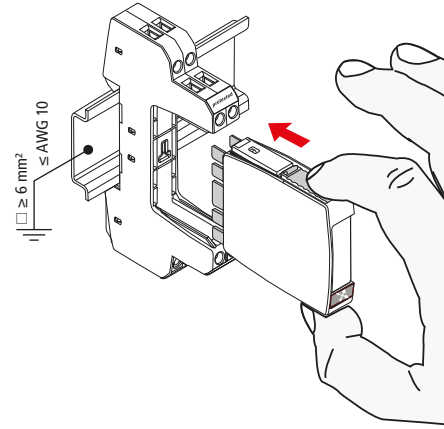
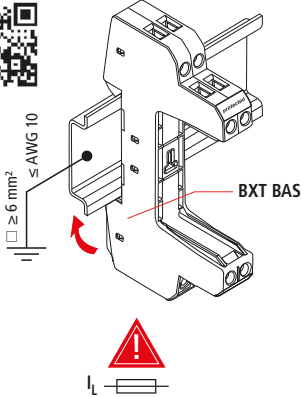


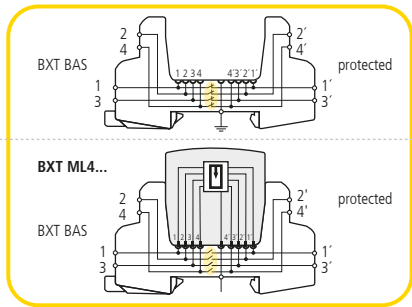
**BLITZDUCTOR® XT**

- DE Einbauanleitung
- GB Installation instructions
- IT Istruzioni di montaggio
- FR Instructions de montage
- NL Montagehandleiding
- ES Instrucciones de montaje
- PT Instruções de montagem
- DK Monteringsvejledning
- SE Monteringsanvisning
- FI Asennusohje
- GR Οδηγίες συναρμολόγησης
- PL Instrukcja montażu
- CZ Montážní návod
- TR Kurulum Talimatları
- RU Инструкция по монтажу
- CN 安装说明
- HU Szerelési útmutató
- JP 設置説明書

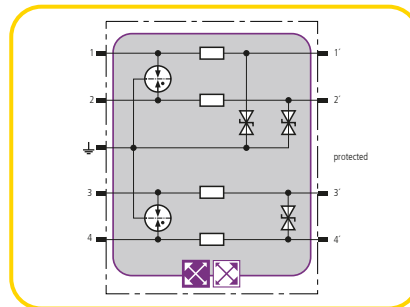


**BLITZDUCTOR® XT** Basic circuit diagrams / Prinzipschaltbilder

BXT BAS Part No. 920 300



BXT ML4 BE BD 24 Part No. 920 334



**BLITZDUCTOR® XT** UL requirements

1. These modules are intended for ordinary indoor use on communication loop circuits that are isolated from the Public Switched Telephone Network.
2. The protector module shall be secured to the compatible protector base before applying power to the communication loop.
3. The protector base shall be secured to a compatible DIN Rail ground bar using the methods described in this instruction.
4. Proper grounding continuity shall be determined.
5. If a replacement module is needed, deactivate power to the communication loop and only use a listed protector module having the same rated voltage breakdown range.
6. Please install the protector modules in accordance with the applicable requirements of the National Electrical Code, Article 800 or other applicable local codes.
7. Performance testing has not been conducted on the LifeCheck function by Underwriters Laboratories.
8. Screw Terminal Ratings with the applicable wire gauge sizes shall be noted.
9. The maximum circuit current for UL 497 B application is limited to 100 mA.

Tabulation Strike voltage in accordance with UL 497 B (Protectors for Data Communication and Fire Alarm Circuits)									
BXT Series ML4		Strike voltage 100 Volts / sec				Surge voltage 100 Volts / µsec			
Type	Part No.	Line to Ground		Line to Line		Line to Ground		Line to Line	
BXT ML4 BE BD 24	920 334	min.	max.	min.	max.	min.	max.	min.	max.
Line 1/2 (unbalanced)		35 V	42 V	70 V	83 V	35 V	45 V	70 V	90 V
Line 3/4 (balanced)		35 V	42 V	70 V	83 V	35 V	45 V	70 V	90 V



