

Plug event-technology black - for Event technology



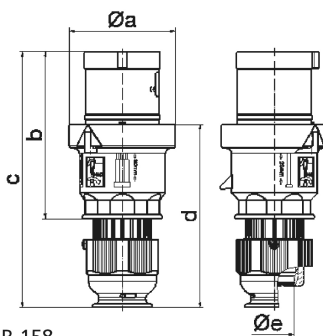
Product description	
BALS-Prd.-Nr	211102
EAN	4024941950718
Product category	TE plug
Current	63A
Number of poles	4p
Poles	3P+PE
Position of earth contact	6 h
Voltage	380 up to 415V
Frequency	50 and 60Hz

Product description	
Protection degree	IP44
Colour code	red RAL 3000
Colour of appliance	Collar black RAL 9005, Pusher black RAL 9005, Housing cover black RAL 9005, Cable gland black RAL 9005
Connection design	screw terminal as box terminal
Maximum conductor size	16,0 qmm
Cable entry	Cable gland
Height	234mm
Width	97mm
Depth	98mm
Material of enclosure	Polyamide
Contact	The contact carrier is made of high temperature resistant material, the contacts are brass nickel plated

Additional technical properties	
	For cable diameter from 16 up to max. 36 mm, Screwless housing connection, Multi-Grip cable gland with gasket, integrated cable clamp and additional water evacuation openings

Logistics data	
Weight/pcs	0.595 kg / Piece
Packaging	Bag
Content amount	1 ST

Logistics data	
EAN	4024941950718
Length	98 mm
Width	97 mm
Height	234 mm
Weight	0.596 kg
Volume	2,224.404 ccm
Packaging	Carton
Content amount	5 ST
EAN	4024941840460
Length	325 mm
Width	217 mm
Height	210 mm
Weight	3.181 kg
Volume	13,588.4 ccm



2 MB 158

Ampere	63	63	63			
Polzahl	3	4	5			
a ø	96,0	96,0	96,0			
b	153,0	153,0	153,0			
c	233,0	233,0	233,0			
d	167,0	167,0	167,0			
e ø	36,0	36,0	36,0			
Leiter mm ² min	6	6	6			
Leiter mm ² max	16	16	16			