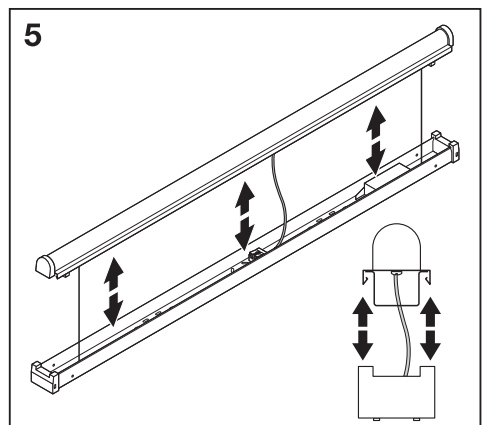
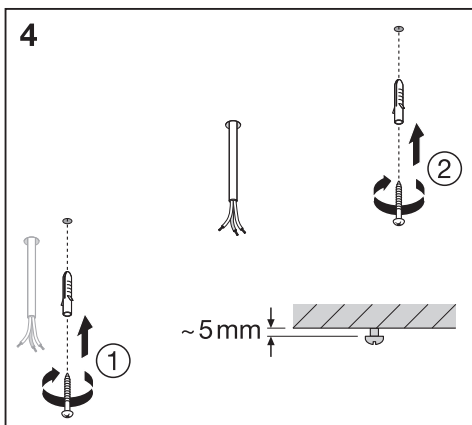
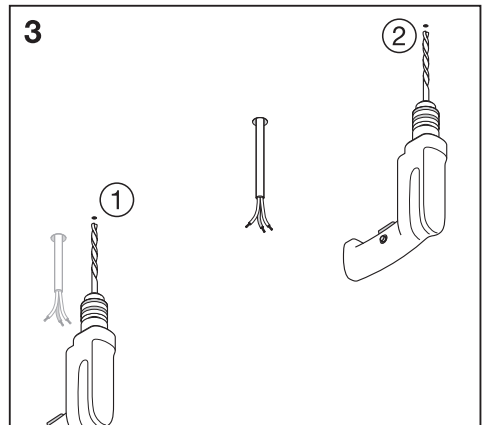
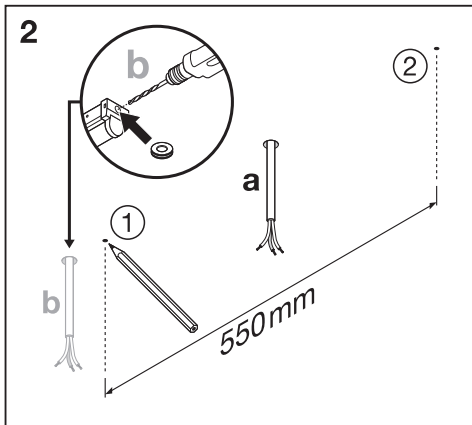
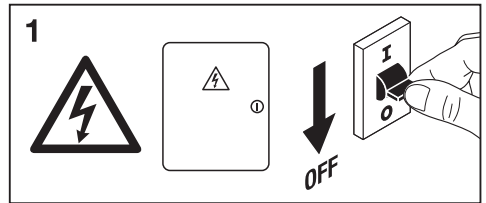
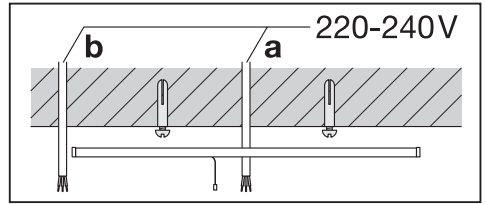
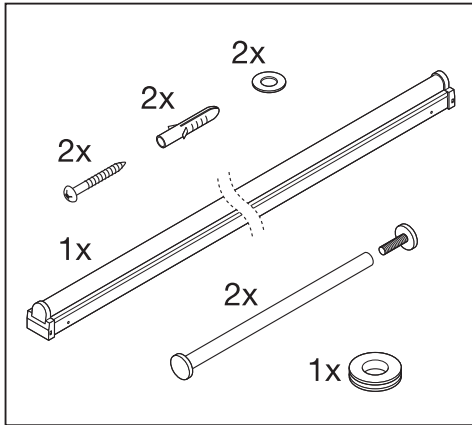


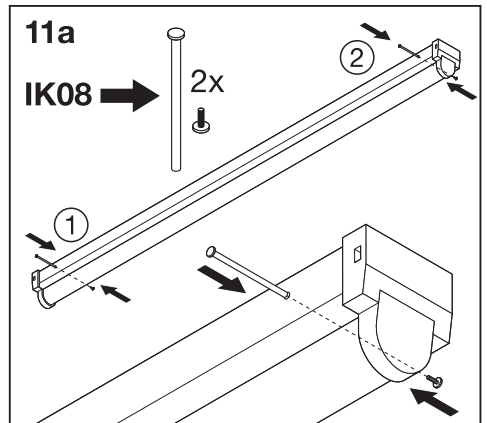
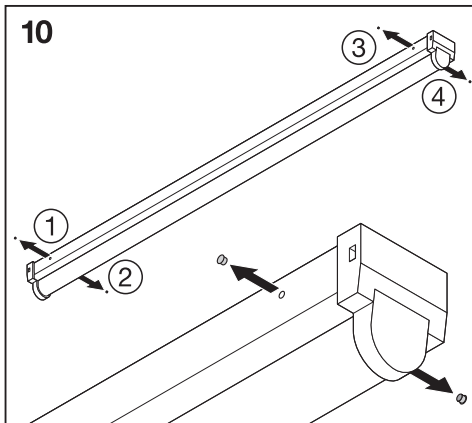
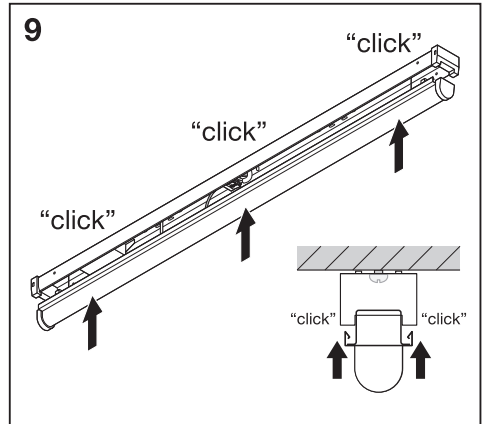
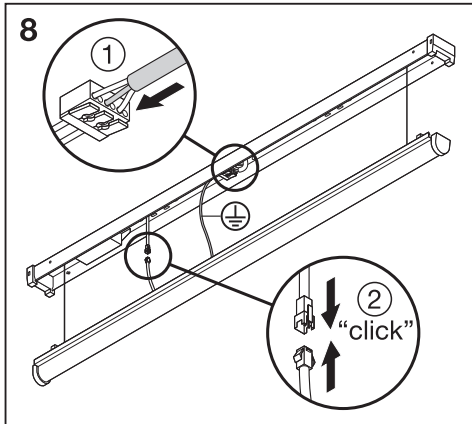
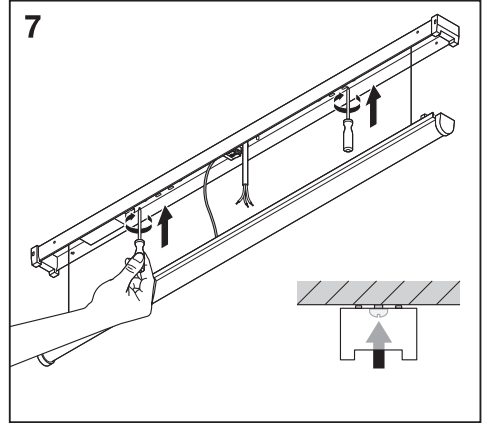
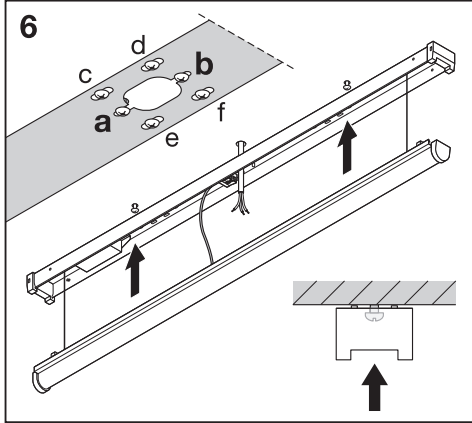
## LINEAR ULTRA OUTPUT



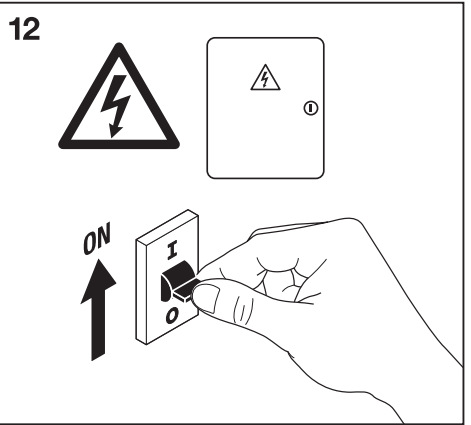
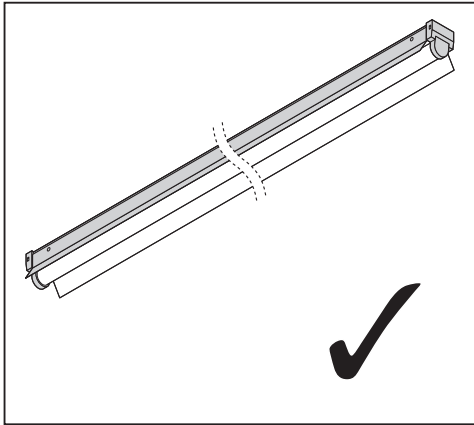
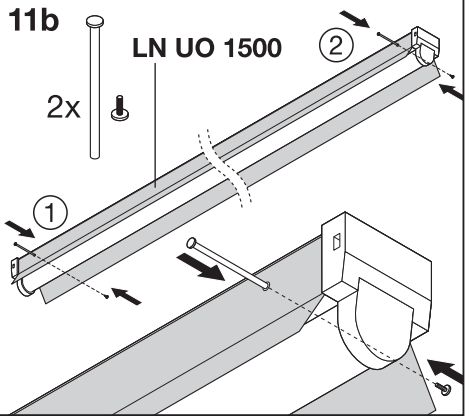
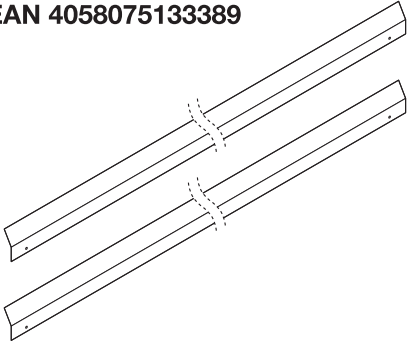
	EAN	l x w x h [mm]	W	lm	lm/W	K	IP	IK
LN UO 1200 25W/3000K	4058075479937	1168 x 62 x 74	25	2850	115	3000	20	08
LN UO 1200 25W/4000K	4058075479951	1168 x 62 x 74	25	2950	120	4000	20	08
LN UO 1200 33W/3000K	4058075122147	1168 x 62 x 74	33	3700	110	3000	20	08
LN UO 1200 33W/4000K	4058075122161	1168 x 62 x 74	33	4000	120	4000	20	08
LN UO 1500 30W/3000K	4058075122185	1458 x 62 x 74	30	3500	115	3000	20	08
LN UO 1500 30W/4000K	4058075122208	1458 x 62 x 74	30	3800	125	4000	20	08
LN UO 1500 46W/3000K	4058075122222	1458 x 62 x 74	46	5000	110	3000	20	08
LN UO 1500 46W/4000K	4058075122246	1458 x 62 x 74	46	5500	120	4000	20	08
LN UO 1500 60W/3000K	4058075122260	1458 x 62 x 74	60	6600	110	3000	20	08
LN UO 1500 60W/4000K	4058075122284	1458 x 62 x 74	60	7100	120	4000	20	08

	EAN	⊕ (°C)	V <sub>AC</sub>	Hz	∇	PF	R <sub>a</sub>	⊞
LN UO 1200 25W/3000K	4058075479937	0...+40	220-240V	50/60 Hz	110°	> 0.9	≥80	1.3kg
LN UO 1200 25W/4000K	4058075479951	0...+40	220-240V	50/60 Hz	110°	> 0.9	≥80	1.3kg
LN UO 1200 33W/3000K	4058075122147	0...+40	220-240V	50/60 Hz	110°	> 0.9	≥80	1.3kg
LN UO 1200 33W/4000K	4058075122161	0...+40	220-240V	50/60 Hz	110°	> 0.9	≥80	1.3kg
LN UO 1500 30W/3000K	4058075122185	0...+40	220-240V	50/60 Hz	110°	> 0.9	≥80	1.8kg
LN UO 1500 30W/4000K	4058075122208	0...+40	220-240V	50/60 Hz	110°	> 0.9	≥80	1.8kg
LN UO 1500 46W/3000K	4058075122222	0...+40	220-240V	50/60 Hz	110°	> 0.9	≥80	1.9kg
LN UO 1500 46W/4000K	4058075122246	0...+40	220-240V	50/60 Hz	110°	> 0.9	≥80	1.9kg
LN UO 1500 60W/3000K	4058075122260	0...+40	220-240V	50/60 Hz	110°	> 0.9	≥80	1.9kg
LN UO 1500 60W/4000K	4058075122284	0...+40	220-240V	50/60 Hz	110°	> 0.9	≥80	1.9kg





**LN UO 1500 REFLECTOR**  
**EAN 4058075133389**



n	C10 A	B16 A	C16 A
LN UO 1200 25W/3000K	33	41	53
LN UO 1200 25W/4000K	33	41	53
LN UO 1200 33W/3000K	33	41	53
LN UO 1200 33W/4000K	33	41	53
LN UO 1500 30W/3000K	17	21	27
LN UO 1500 30W/4000K	17	21	27
LN UO 1500 46W/3000K	15	19	24
LN UO 1500 46W/4000K	13	19	24
LN UO 1500 60W/3000K	15	17	22
LN UO 1500 60W/4000K	13	17	22



C10449057  
 G11034903V3  
 27.04.18

**LEDVANCE GmbH**  
 Steirerne Furt 62  
 86167 Augsburg, Germany  
[www.ledvance.com](http://www.ledvance.com)