

Wall mounting appliance inlet - without closure cap



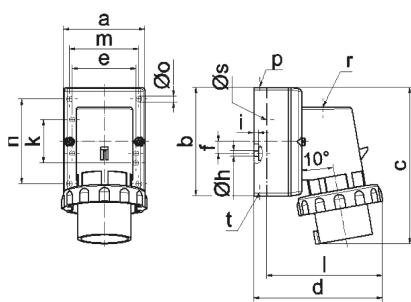
Product description	
BALS-Prd.-Nr	2477
EAN	4024941024778
Product category	Wall mounting appliance inlet
Current	16A
Number of poles	4p
Poles	3P+PE
Position of earth contact	6 h
Voltage	380 up to 415V
Frequency	50 and 60Hz

Product description	
Protection degree	IP67
Colour code	red RAL 3000
Colour of appliance	Collar red RAL 3000, Bayonet ring grey RAL 7035, Housing bottom grey RAL 7035, Housing top grey RAL 7035
Connection design	with screw terminal
Maximum conductor size	2,5 qmm
Cable entry	top entry M20
Height	145mm
Width	79mm
Depth	120mm
Dimension of enclosure	100x75 mm (HxW)
Material of enclosure	Polyamide
Contact	The contact carrier is made of polyamide, the contacts are brass nickel plated

Additional technical properties	
	The cable entry is one at top open and one at bottom and one rear side closed

Logistics data	
Weight/pcs	0.245 kg / Piece
Packaging	Bag
Content amount	1 ST

Logistics data	
EAN	4024941024778
Length	120 mm
Width	79 mm
Height	145 mm
Weight	0.246 kg
Volume	1,374.6 ccm
Packaging	Carton
Content amount	10 ST
EAN	4024941965637
Length	325 mm
Width	217 mm
Height	210 mm
Weight	2.656 kg
Volume	13,588.4 ccm



5 MB 128

Ampere Polzahl	16 3	16 4	16 5	32 3	32 4	32 5
a	64,0	75,0	84,0	90,0	90,0	90,0
b	87,0	100,0	84,0	75,0	75,0	75,0
c	137,0	151,0	136,0	138,0	138,0	139,0
d	112,0	119,0	-	122,0	122,0	123,0
e	51,0	59,0	-	-	-	-
f	-	11,0	-	-	-	-
h ø	4,1	5,1	-	-	-	-
i	4,5	4,5	-	-	-	-
k	40,0	-	-	-	-	-
l	-	-	111,0	-	-	-
m	-	-	64,0	78,0	78,0	78,0
n	-	-	64,0	45,0	45,0	45,0
o ø	-	-	5,5	5,5	5,5	5,5
p	M20	M20	-	-	-	-
r	-	-	M20	M25	M25	M25
s ø	-	-	23,0	29,0	29,0	29,0
t	für M20	für M20	-	-	-	-