

## Wall mounting socket outlet, fused - housing dimension 225x118, with mounting rail

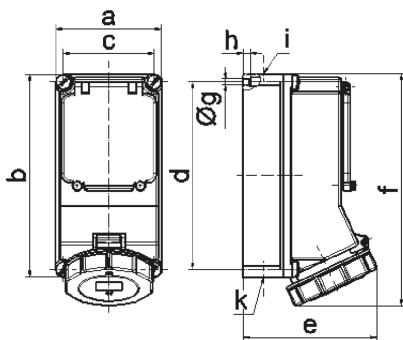


Product description	
BALS-Prd.-Nr	15028
EAN	4024941150286
product category (PG)	Quick-Connect TE wall mounting socket outlet, fused
current (A)	16A
number of poles (P99)	5p
number of poles (P)	3p+N+PE
position of earth contact (H)	6 h
voltage (V)	200/346 up to 240/415V

Product description	
frequency (HZ)	50 and 60Hz
protection degree (SA)	IP67
colour code 1 (KF1)	red RAL 3000
Colour of appliance	Operating window smoky topaz, Hinged lid red RAL 3000, Bayonet ring grey RAL 7035, Housing screws grey RAL 7035, Housing bottom grey RAL 7035, Housing top grey RAL 7035
connection design (AT)	screwless spring terminals as cage clamp with Kontex-contact
maximum conductor size (LQ)	4,0 qmm
cable entry (KE)	top entry M25/M25 bottom entry M25
Height	250mm
Width	118mm
Depth	134mm
dimension of enclosure (GG)	225x118 mm (HxW)
material of enclosure (GM)	Polycarbonate
contact	The contact carrier is made of high temperature resistant material, the contacts are brass nickel plated

Additional technical properties	
	The cable entry is one at top open, one at top is closed, and two at bottom are closed
	With mounting rail, Protective cover for fuses with stamping, With mounting rail for 5 modules, vertical

Logistics data	
Weight/pcs	0.875 kg / Piece
Packaging	Carton
Content amount	1 ST
EAN	4024941150286
Length	275 mm
Width	175 mm
Height	137 mm
Weight	1 kg
Volume	5,737.5 ccm



Ampere Polzahl	16 4	16 5	32 3	32 4	32 5
a	118,0	118,0	118,0	118,0	118,0
b	225,0	225,0	225,0	225,0	225,0
c	101,0	101,0	101,0	101,0	101,0
d	208,0	208,0	208,0	208,0	208,0
e	127,0	134,0	143,0	143,0	149,0
f	245,0	245,0	255,0	255,0	255,0
g ø	6,5	6,5	6,5	6,5	6,5
h	8,0	8,0	8,0	8,0	8,0
i	2 x M25	2 x M25	2 x M25	2 x M25	2 x M25
k	2 x M25	2 x M25	2 x M25	2 x M25	2 x M25