

Plug - with screwless terminals, for harsh applications

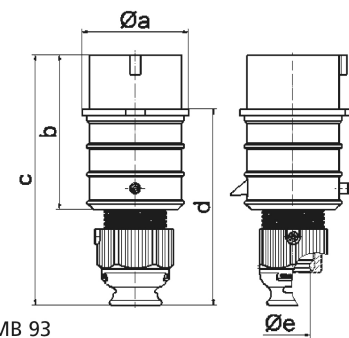


Product description	
BALS-Prd.-Nr	210778
EAN	4024941194181
product category (PG)	QUICK-CONNECT TE plug
current (A)	16A
number of poles (P99)	5p
number of poles (P)	3p+N+PE
position of earth contact (H)	5 h
voltage (V)	347/600 up to 400/690V
frequency (HZ)	50 and 60Hz

Product description	
protection degree (SA)	IP44
colour code 1 (KF1)	black RAL 9005
Colour of appliance	Collar black RAL 9005, Cable gland grey RAL 7035, Housing cover black RAL 9005
connection design (AT)	screwless spring-clamp technology
maximum conductor size (LQ)	2,5 qmm
cable entry (KE)	Cable gland
Height	154mm
Width	65mm
Depth	74mm
material of enclosure (GM)	Polyamide
contact	The contact carrier is made of high temperature resistant material, the contacts are brass nickel plated

Logistics data	
Weight/pcs	0.18 kg / Piece
Packaging	Bag
Content amount	1 ST
EAN	4024941194181
Length	74 mm
Width	65 mm
Height	154 mm

Logistics data	
Weight	0.181 kg
Volume	740.74 ccm
Packaging	Carton
Content amount	10 ST
EAN	4024941837996
Length	245 mm
Width	177 mm
Height	185 mm
Weight	1.933 kg
Volume	7,140 ccm



Ampere	16	16	16	32	32	32
Polzahl	3	4	5	3	4	5
a ø	51,0	57,5	65,0	66,0	66,0	72,0
b	95,0	95,0	97,0	118,0	118,0	117,0
c	145,0	145,0	152,0	178,0	178,0	181,0
d	109,0	109,0	116,0	133,0	133,0	135,5
e ø	18,0	18,0	21,0	23,0	23,0	27,0
Leiter mm² min	1	1	1	2,5	2,5	2,5
Leiter mm² max	2,5	2,5	2,5	6	6	6

2 MB 93