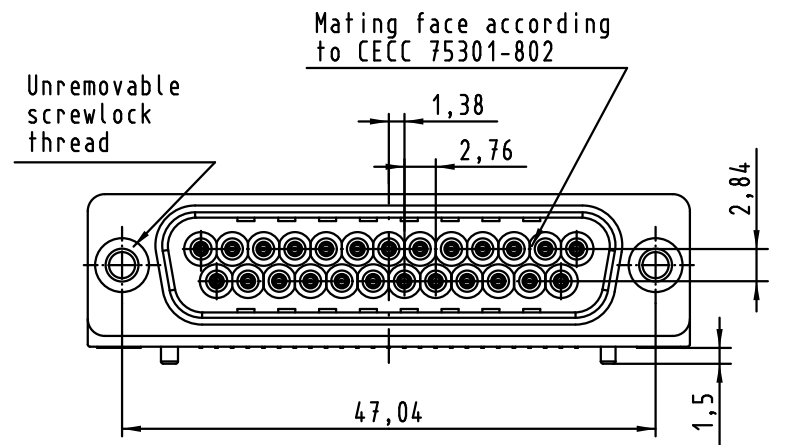
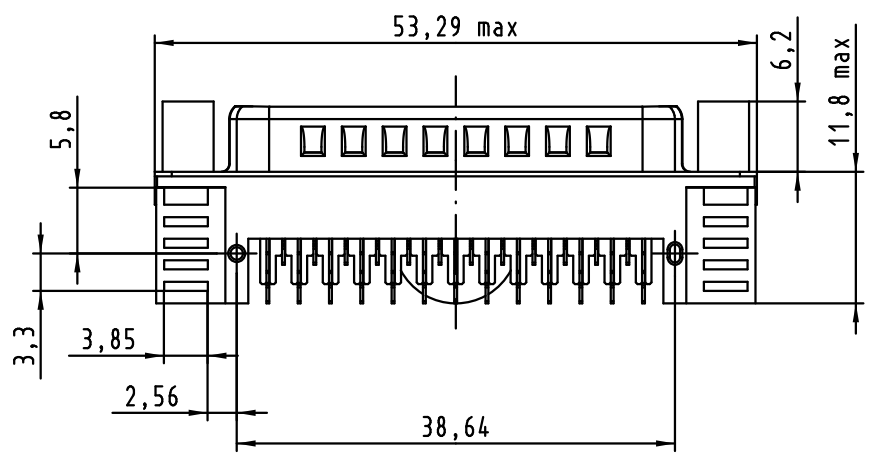


A

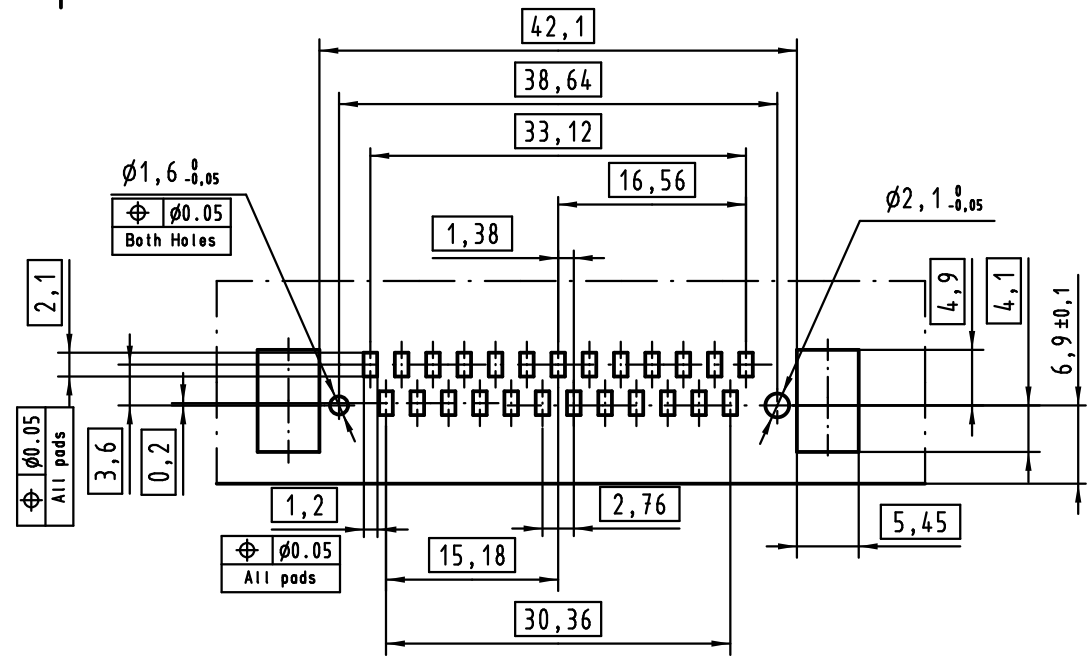
B

C

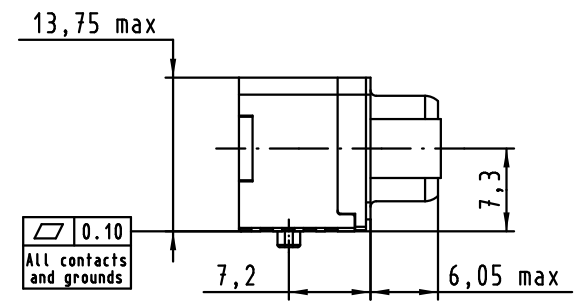
D



Max. Temperature: 260°C during 10 seconds



PCB Layout, component side (thickness 1,6mm min.)



09553663822.741	1	4-40 UNC	Black Insulator	Reel Packaging (140 connectors) see page 2/2					Dot.	Name	<p>All Dim. in mm Orig. Size DIN A 4</p>	D-SUB SMT Standard Male 25p with die casted grounds and unremovable screwlocks	Maßstab/ Scale 1,5:1			
09553666822.741	2									Detail.				30Jun2010	ED	
09553667822.741	3									Insp.						
09553663821.741	1	M3						Stand.							TB 09 55 366 x82x	Blatt/ Page 1 / 2
09553666821.741	2									EC02316	30Aug2010	ED	HARTING EURL F-95972 Paris			
09553667821.741	3									EC01953	30Jun2010	ED				
Part number	PL	Thread	Index designation		Mod.	Dot.	Name			Sub.						