

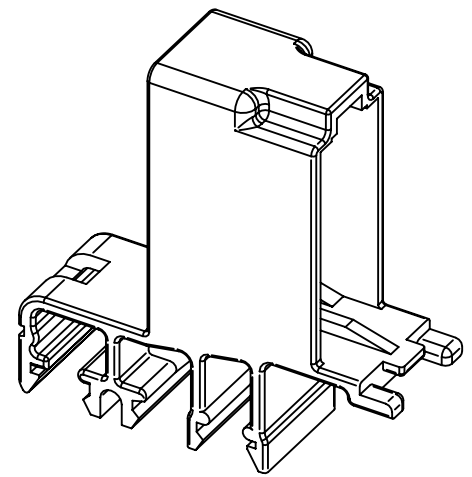
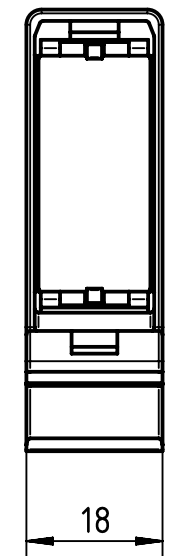
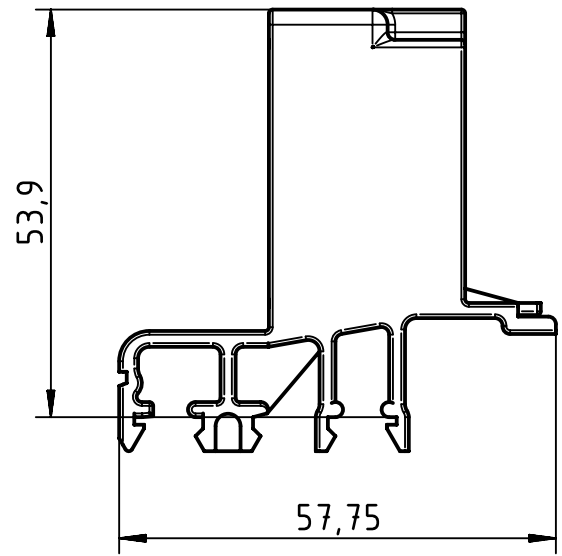
1 2 3 4 5 6

A


B

C

D



useable for all electrical Han-Modular® single modules on rail DIN EN 60 715-35 x 7.5 with 1 mm thickness or rail DIN EN 60 715-35 x 15 with 1.5 mm thickness

	All Dimensions in mm Original Size DIN A4		Scale 1:1	Free size tol.		Ref.		
	All rights reserved Department EL PD		Created by FINKEV	Inspected by BERGHORN	Standardisation RUETERA	Date 2020-07-21	State Final Release	
HARTING Electric GmbH & Co. KG D-32339 Espelkamp			Title Module Clamp for rail (2 pcs)				Doc-Key / ECM-Nr. 100086566/UGD/005/B 500000176721	
			Type TB	Number 09 14 000 0303			Rev. B	Page 1/1