



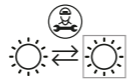
Paulmann

**Safety Instructions**

1,2,3,4,5,6,7,10,12,13,16,19,  
20,22,24,28,33,34



31.08.2021 | 01.09.2021  
ENERGY LABEL 874/2012  
A++ - A | G  
ENERGY LABEL 2019/2015



www.paulmann.com/symbols

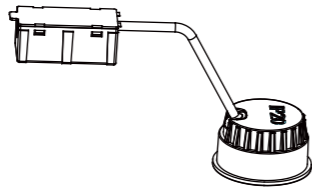
Paulmann Licht GmbH  
Quezinger Feld 2  
31832 Springe  
Germany

www.paulmann.com

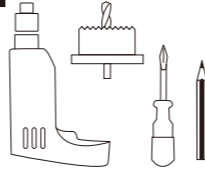
Art.-Nr.: 930.76



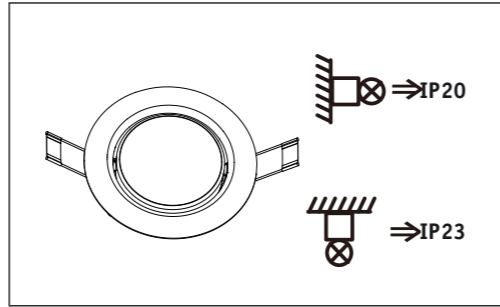
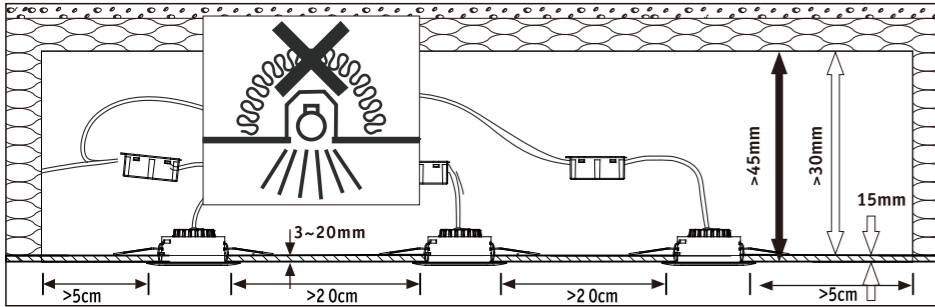

incl.



1x



(+MA326) PSPU 07/22

**370 lm**  
**5W**  
**230V**

▼ warm white  
**3000 K**

CRI/Ra ≥ 83

ON OFF ≥50.000

⌚ ≈ 15x 1.000h

Lumen 60% <2 s

⊗

390093076

