

lightnet

Matric-G5

Pendant light-line - Direct light distribution

Article code: LG5AEE-830E-L1765-Y



Illustrations may only be similar and serve as an orientation.

Matric-G5. LED. Pendant light-line. Luminaire body made of high-quality aluminum profile. Surface finish Silver Anodised. Direct only light distribution. Colour temperature: 3000K (Warm White). Colour Rendering Index (CRI): >80. Microprismatic screen for uniform illumination and reduced luminance in office areas. UGR<=19. Switchable. LxWxH (rectangular). L=1765mm. W=81mm. H=81mm. Y-cord suspension with power supply cable and ceiling rose (Set). Pendant length max 1500mm. Power supply: transparent.

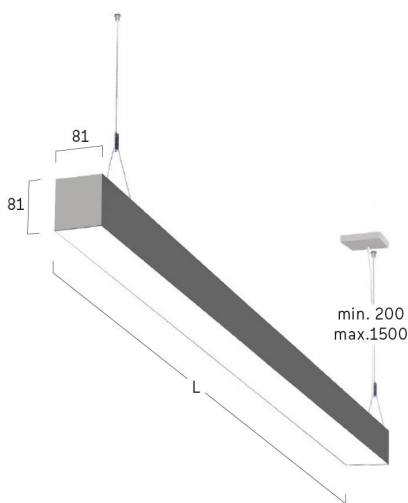
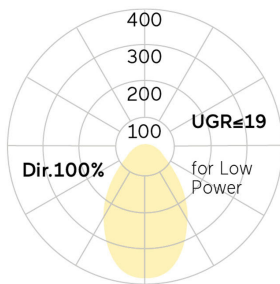
Ceiling rose: Matching luminaire's surface colour. Low-power current. 2814lm. 27W. 6kg. Binning initial <= MacAdam 3. IP20. Protection class I. CE, UKCA marking. Prüfzeichen: ENEC. IK02. 220-240V. 50-60 Hz. RG0 (EN62471). Luminous flux reduction up to 0,2%/1.000 operating hours. Nominal failure rate: 0,2%/1.000 operating hours. L90B10 (tq 25°C) = 50.000h. 5 years warranty. Manufacturer: Lightnet GmbH, ISO 9001:2015 and 50001:2018 certified.

lightnet

Matric-G5

Pendant light-line - Direct light distribution

Article code: LG5AEE-830E-L1765-Y



Customer / Project: _____

Note: _____

Productname	Matric-G5
Lamp	LED
Installation Type	Pendant light-line
Surface finish	Silver Anodised
Light characteristics	Direct light distribution
Colour temperature	3000K
Colour Rendering Index (CRI)	CRI>80
Optical system	Microprismatic screen
Control	Switchable
Length L/Diameter D (mm)	L=1765mm
Width W (mm)	W=81mm
Height H (mm)	H=81mm
Current/Power	Low-Power
Luminous Flux	2814lm
Power consumption	27W
Suspension	Y-susp. (Set)
Ceiling rose colour	Ceiling rose: Matching luminaire`s surface colour
Pendant length (mm)	Pendant length max 1500mm
Degree of protection	IP20
Certification	Prüfzeichen: ENEC
Cable Colour	Power supply: transparent
LED lifetime	L90B10 (tq 25°C) = 50.000h
UGR	UGR<=19
Photometric code	8 30 / 3 3 9
Photobiological class	RG0 (EN62471)
Indoor/Outdoor	Indoor: ta [ambient] max. 25°C
Weight (kg)	6kg

