

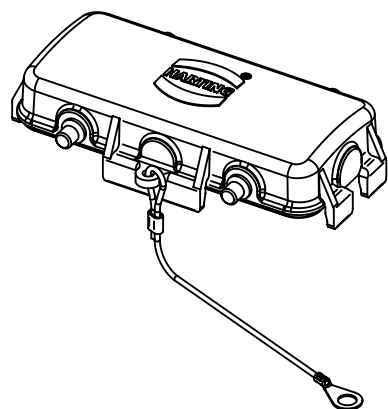
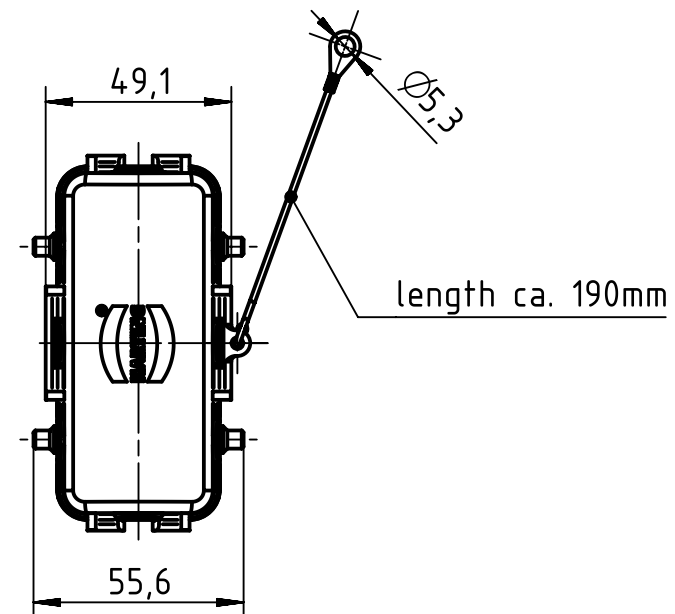
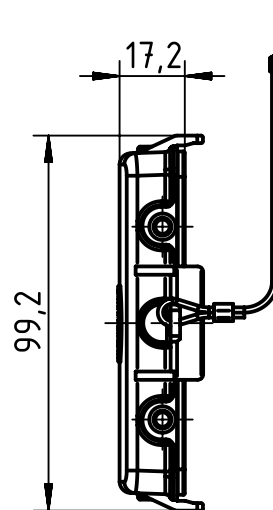
1 2 3 4 5 6

A

B

C

D



	All rights reserved Department EL PD - DE	All Dimensions in mm Original Size DIN A4		Scale 1:2	Free size tol.		Ref.		
		HARTING Electric GmbH & Co. KG D-32339 Espelkamp	Created by SPRENB	Inspected by BERGHORN	Standardisation TIEMANNA	Date 2013-08-30	State Final Release		Doc-Key / ECM-Nr. 100544020/UGD/012/A 500000064823
		Title 16B Protect Cover Die Cast f/Hoods Black						Rev. A	
		Type TB		Number 09 30 716 5425				Page 1/1	