

## Panel mounting socket outlet, straight - 7 poles, flange 75x75

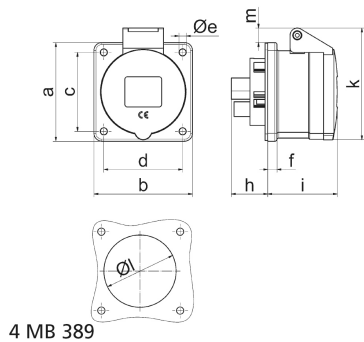


| Product description       |   |
|---------------------------|---|
| BALS-Prd.-Nr              | 13326                                     |
| EAN                       | 4024941133265                             |
| Product category          | TE panel mounting socket outlet, straight |
| Current                   | 16A                                       |
| Number of poles           | 7p  |
| Poles                     | 6p+PE                                     |
| Position of earth contact | 9 h                                       |
| Voltage                   | 230V                                      |

| Product description            |  |
|--------------------------------|--|
| Frequency                      | 50 and 60Hz  |
| Protection degree              | IP44   |
| Colour code                    | blue RAL 5015  |
| Colour of appliance            | Hinged lid blue RAL 5015, Enclosure grey RAL 7035  |
| Connection design              | with screw terminal  |
| Maximum conductor size         | 4,0 qmm  |
| Cable entry                    | other  |
| Height                         | 86mm   |
| Width                          | 75mm   |
| Depth                          | 71mm   |
| Flange size vertical           | 75mm   |
| Flange size horizontal         | 75mm   |
| Drill hole distance vertical   | 60mm   |
| Drill hole distance horizontal | 60mm   |
| Material of enclosure          | Polyamide  |
| Contact                        | The contact carrier is made of high temperature resistant material, the contacts are brass nickel plated |

| Logistics data |                  |
|----------------|------------------|
| Weight/pcs     | 0.192 kg / Piece |
| Packaging      | Bag              |
| Content amount | 1 ST             |

| Logistics data |               |
|----------------|---------------|
| EAN            | 4024941133265 |
| Length         | 71 mm         |
| Width          | 75 mm         |
| Height         | 86 mm         |
| Weight         | 0.193 kg      |
| Volume         | 457.95 ccm    |
| Packaging      | Carton        |
| Content amount | 10 ST         |
| EAN            | 4024941959025 |
| Length         | 275 mm        |
| Width          | 175 mm        |
| Height         | 137 mm        |
| Weight         | 2.045 kg      |
| Volume         | 5,737.5 ccm   |



4 MB 389

| Ampere                     | 16   | 32   |  |  |  |  |  |
|----------------------------|------|------|--|--|--|--|--|
| Polzahl                    | 7    | 7    |  |  |  |  |  |
| a                          | 75,0 | 75,0 |  |  |  |  |  |
| b                          | 75,0 | 75,0 |  |  |  |  |  |
| c                          | 60,0 | 60,0 |  |  |  |  |  |
| d                          | 60,0 | 60,0 |  |  |  |  |  |
| e ø                        | 5,5  | 5,5  |  |  |  |  |  |
| f                          | 7,0  | 8,0  |  |  |  |  |  |
| h                          | 28,0 | 38,0 |  |  |  |  |  |
| i                          | 53,0 | 62,0 |  |  |  |  |  |
| k                          | 85,0 | 98,0 |  |  |  |  |  |
| l ø                        | 60,0 | 60,0 |  |  |  |  |  |
| m                          | 11,0 | 17,0 |  |  |  |  |  |
| Leiter mm <sup>2</sup> min | 1,5  | 2,5  |  |  |  |  |  |
| Leiter mm <sup>2</sup> max | 4    | 10   |  |  |  |  |  |