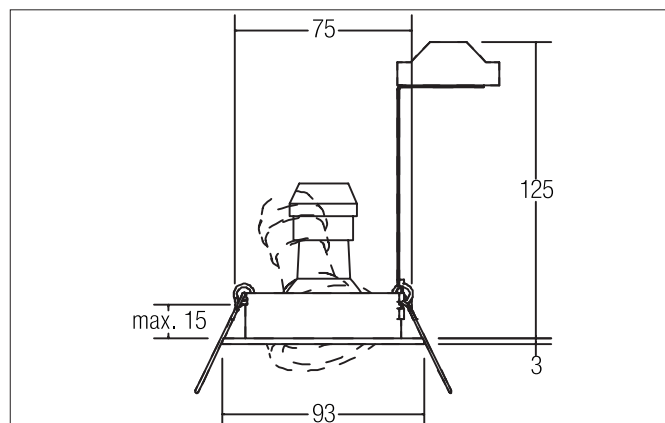


JANIA-R Recessed spot, GU 10

Article no. 36309250

Light.
For Generations.**Tender**

Recessed spot, GU10, alu, Round. In a compact design, for installation in tool-less rapid assembly systems. Including bracket with GU10 socket for standard-compliant strain relief. Lamp holder: GU10, Mounting method: Recessed mounting, Place of installation: Ceiling-mounted, Material: Aluminium, Degree of protection: according to DIN EN 60529 IP20, Protection class: (EN 61140) II, Voltage: 230V AC 50Hz, Power: 50W, Amount of light sources / fittings: 1.0 Qty, Adjustability: Pivoted, Control: Other.

Product Benefits

- Recessed spot in round design made of solid aluminum.
for LED retrofit lamps with GU10 base.
- Ceiling cut-out 75 mm, diameter 93 mm, installation depth 125 mm, IP20.
- Pivoting range 30°.
- Without visible snap ring.
- Classic, formally restrained design.
- In the same look also available as GX5.3 version, as switchable and dimmable set (trailing-edge phase).
- In addition, in the same surface structure and in the same color also available in square version.

JANIA-R Recessed spot, GU 10

Article no. 36309250

Light.
For Generations.

Article data	
Article no.	36309250
GTIN	4250047789130
Series name	JANIA-R
Short description	Recessed spot, GU10
Material	Aluminium
Colour	Alu
Type of surface	Matt
Shape	Round
Outer diameter	93 mm
Built-in diameter	75 mm
Installation depth	125 mm
Hight	3 mm
Weight	0.154 kg

Operating technology of the luminaire	
System output	50 W
Voltage type	AC
AC nominal voltage max	230 V
Frequenz max.	50 Hz
Lamp	For LED-retrofill lamp
Lamp holder	GU 10
Protection class	II
Degree of protection	IP20
Control	Other
Bulb change possible	Yes

Mounting technology	
Mounting method	Recessed mounting
Place of installation	Ceiling-mounted
Adjustability	Rotable and pivoted
Swivel angle	30°
Rotation angle	355°
Max. ceiling thickness	15 mm
Further references	No cover with thermal insulation material
Material cover	Without cover
Circlip	Without circlip

Packing data	
Gross weight	0.187 kg
Length of packaging	140 mm
Packaging width	110 mm
Packaging hight	120 mm
Disposal at end of life	This product must not be disposed of with household waste. You are obliged, to dispose of such electrical waste separately. By disposing of electrical waste and other old or defective electronics separately, you support recycling or other forms of re-use. In that way you help to take care and to avoid that harmful substances get into the environment.