

Panel mounting socket outlet, angled - flange 87x71, fixing centers 70x52

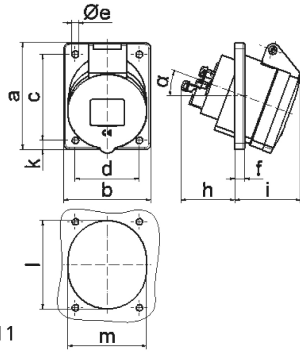


Product description	
BALS-Prd.-Nr	12736
EAN	4024941127363
Product category	Panel mounting socket outlet Quick-Connect, angled
Current	16A
Number of poles	4p
Poles	3P+PE
Position of earth contact	7 h
Voltage	480 up to 500V

Product description	
Frequency	50 and 60Hz
Protection degree	IP44
Colour code	black RAL 9005
Colour of appliance	Hinged lid black RAL 9005, Enclosure grey RAL 7035
Connection design	screwless spring terminals as cage clamp with Kontex-contact
Maximum conductor size	4,0 qmm
Cable entry	other
Height	90mm
Width	71mm
Depth	96mm
Flange size vertical	87mm
Flange size horizontal	71mm
Drill hole distance vertical	70mm
Drill hole distance horizontal	52mm
Material of enclosure	Polyamide
Contact	The contact carrier is made of polyamide, The contacts are brass

Additional technical properties	
	The inclination is 20°

Logistics data	
Weight/pcs	0.122 kg / Piece
Packaging	Bag
Content amount	1 ST
EAN	4024941127363
Length	96 mm
Width	71 mm
Height	90 mm
Weight	0.123 kg
Volume	613.44 ccm
Packaging	Carton
Content amount	10 ST
EAN	4024941829298
Length	245 mm
Width	177 mm
Height	185 mm
Weight	1.353 kg
Volume	7,140 ccm



4 MB 111

Ampere	16	16	16			
Polzahl	3	4	5			
a	68,0	87,0	87,0			
b	62,0	71,0	71,0			
c	47,0	70,0	70,0			
d	47,0	52,0	52,0			
e Ø	5,5	5,5	5,5			
f	8,0	5,5	5,5			
h	46,0	46,0	46,0			
i	50,0	54,0	54,0			
k	-	9,5	9,5			
l	56,0	65,0	72,0			
m	51,0	58,0	64,0			
α	20°	20°	20°			
Leiter mm ² min	1,5	1,5	1,5			
Leiter mm ² max	4	4	4			