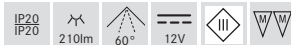
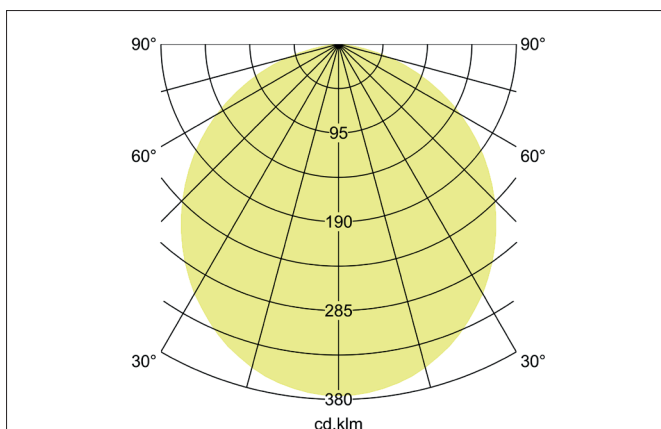
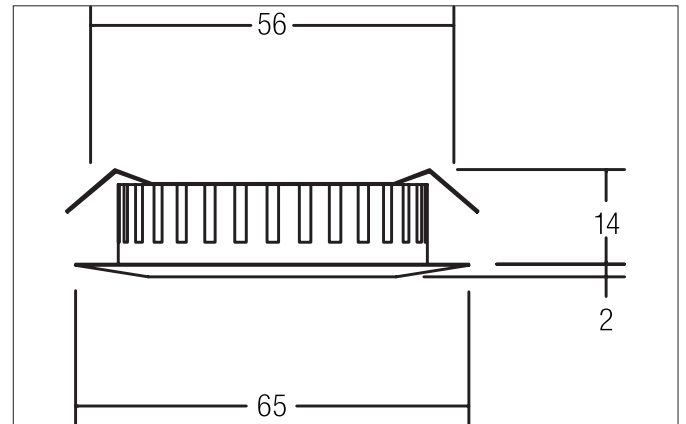


**SINCINDA MINI-R LED recessed downlight, IP44**

Article no. 12109023

Light.  
For Generations.**Tender**

LED recessed downlight, IP44, Round. Toolless ceiling installation by leaf spring. Ceiling cut-out Ø 56 mm, Installation depth 14 mm, Outer diameter 65 mm, Weight 0,114 kg, with rotationssymmetrical, deep, wide distributed light intensity. optimal light distribution due to a plastic, opal cover. Luminous flux 210 lm, Power 1 x 3,3 W, System Efficiency 64 lm/W, Light colour warm white, Correlated color temperature (CCT) 2.900 K, Colour rendering index CRI 85, Housing material: Die-cast zinc / Plastic, Colour: Chrome, Permissible ambient temperature (ta): -20 °C - +25 °C, Protection class (EN 61140): III, Degree of protection (DIN EN 60529): IP20. For connection to an external driver, which is not included in the scope of delivery of the luminaire. Depending on driver dimmable.

Article data	
Article no.	12109023
GTIN	4250047798101
Series name	SINCINDA MINI-R
Short description	LED recessed downlight, IP44
Material	Die-cast zinc / Plastic
Colour	Chrome
Type of surface	Glossy
Shape	Round
Outer diameter	65 mm
Built-in diameter	56 mm
Installation depth	14 mm
Hight	2 mm
Scope of delivery	Including 2,000 mm connecting cable
Weight	0.114 kg

**SINCINDA MINI-R LED recessed downlight, IP44**

Article no. 12109023

Light.  
For Generations.

Lighting technology	
Colour temperature	2.900 K
Light colour	White
Light output	Direct
Luminous flux	210 lm
System efficiency	64 lm/W
Colour rendering	CRI 85
Reflector	Without
Beam angle	60°
Light sharing	Symmetric

Operating technology of the luminaire	
System output	3.3 W
Voltage type	DC
DC nominal voltage max	12 V
Lamp	LED
Protection class	III
Degree of protection	IP20
Schutzart deckenseitig	IP20
Dimmable	Depending on type of control gear
Control	Depending on driver
Bulb change possible	The light source of this luminaire may only be replaced by the manufacturer or a service technician commissioned by him or a similarly qualified person.

Mounting technology	
Mounting method	Recessed mounting
Place of installation	Ceiling-mounted
Adjustability	Not adjustable
stamp	MM
Further references	No cover with thermal insulation material
Material cover	Plastic, opal

Packing data	
Gross weight	0.129 kg
Length of packaging	70 mm
Packaging width	47 mm
Packaging height	81 mm
Disposal at end of life	This product must not be disposed of with household waste. You are obliged, to dispose of such electrical waste separately. By disposing of electrical waste and other old or defective electronics separately, you support recycling or other forms of re-use. In that way you help to take care and to avoid that harmful substances get into the environment.

**SINCINDA MINI-R LED recessed downlight, IP44**

Article no. 12109023

Light.  
For Generations.

Accessories	
	<p>Article no.: 81019020 Surface mounted housing for 12109...</p> <p>Dimensions: 66 mm x 15 mm</p>
	<p>Article no.: 81019150 Surface mounted housing for 12109...</p> <p>Dimensions: 66 mm x 15 mm</p>
	<p>Article no.: 17106000 LED power supply 12 V DC, on/off switchable Power: 1 - 15 W Dimensions: 105 mm x 49 mm x 18 mm</p>
	<p>Article no.: 17110000 LED power supply 12 V DC, on/off switchable Power: 1 - 30 W Dimensions: 185 mm x 48 mm x 20 mm</p>
	<p>Article no.: 17107000 6-way distributor 12 V DC for 17106/17110 Leistung: 30 W</p>
	<p>Article no.: 17108000 Extension cable 12 V DC for 17106/17110/17107</p>