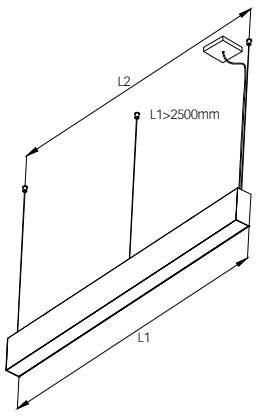


lightnet

MATRIC G5 | SYSTEM 81MM SUSPENDED

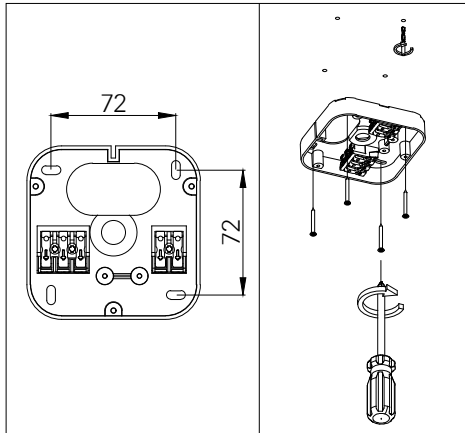
Lightnet GmbH
 Zollstockgürtel 65
 50969 Köln / Germany
 Tel.: +49 (0) 221 22 25 26-0
 E-Mail: info@lightnet.de
 www.lightnet.de

1. MONTAGE UND INSTALLATION | MOUNTING AND INSTALLATION:

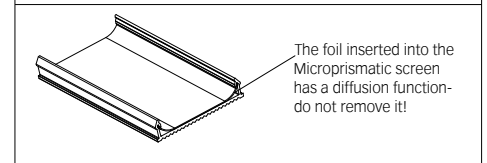
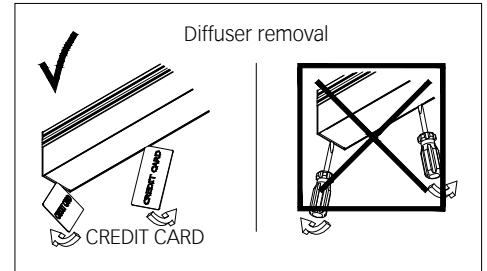


Opal/Microprismatic	
L1[mm]	L2[mm]
890	875
1182	1167
1475	1460
1765	1750
2055	2040
Louvre	
L1[mm]	L2[mm]
1005	985
1256	1236
1507	1487
1757	1737
2008	1988

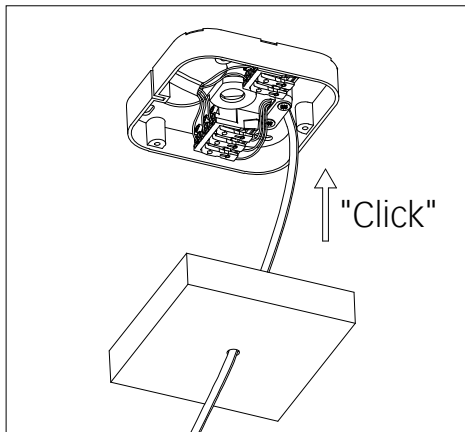
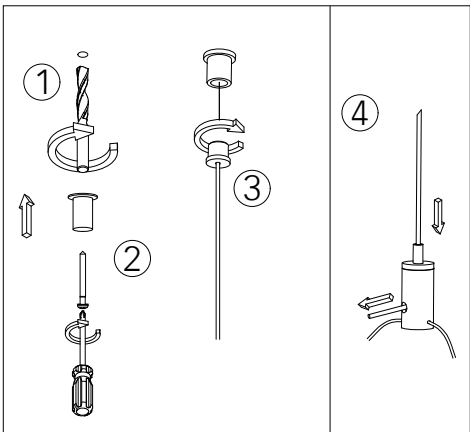
1. Bei allen Montagearbeiten Handschuhe tragen.
 Use gloves when handling the fixture.

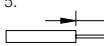



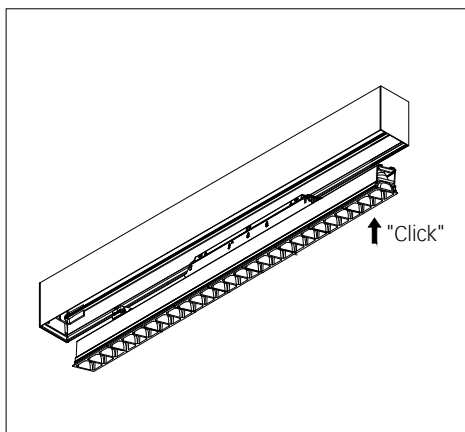
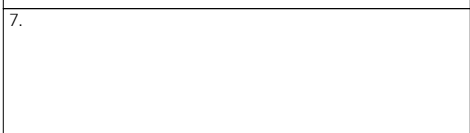
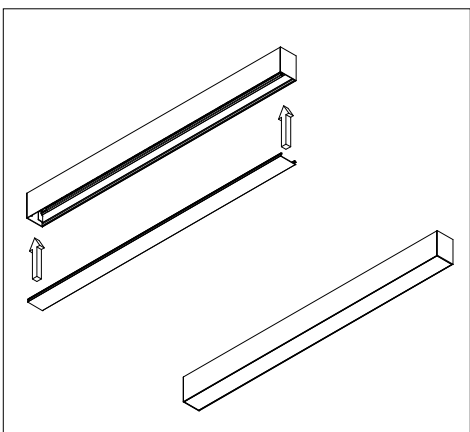
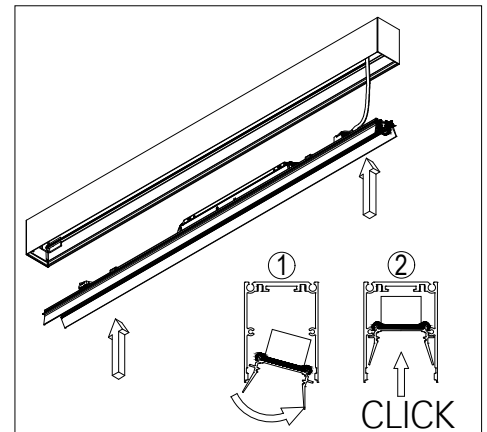
2. Montageöffnungen.
 Installation openings.



3. All LED gear trays are numbered and the numbering starts from the cable entry side. In non-standard luminaires the numbering of LED gear trays is made in accordance with technical drawings.
 Avoid touching the strip - connectors because they can break off under excess handling.

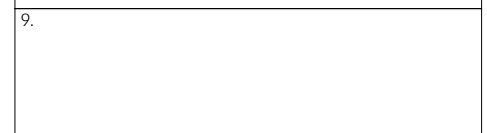


5.  - min/max stripped wire length: 7mm-10mm
 - max power supply cable: 1,5mm²



8. Louvre installation.

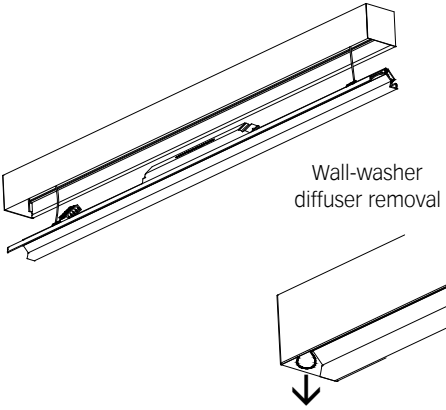
IMPORTANT:
 -all sections must be suspended individually and perfectly levelled (horizontally and vertically) before connecting them together - this is crucial
 -all suspension cords must be positioned perfectly vertical
 -all suspension cords must be tensioned with the same strength
 -if these conditions are not satisfied then the different parts will settle to different levels and work against one another.



The light source contained in this luminaire shall only be replaced by the manufacturer or his service agent or a similar qualified person.

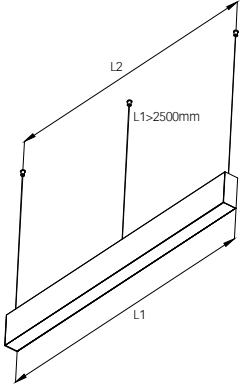
MATRIC G5 | SYSTEM 81MM SUSPENDED WALLWASHER

1. MONTAGE UND INSTALLATION | MOUNTING AND INSTALLATION:



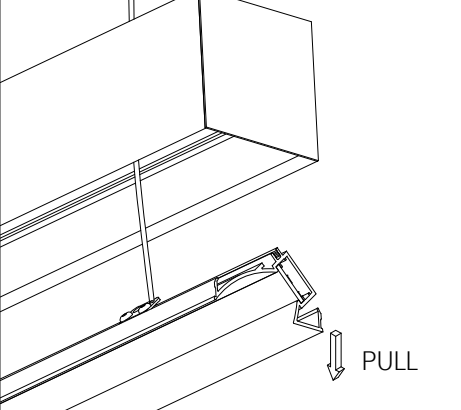
Wall-washer diffuser removal

1. Bei allen Montagearbeiten Handschuhe tragen.
 Use gloves when handling the fixture.

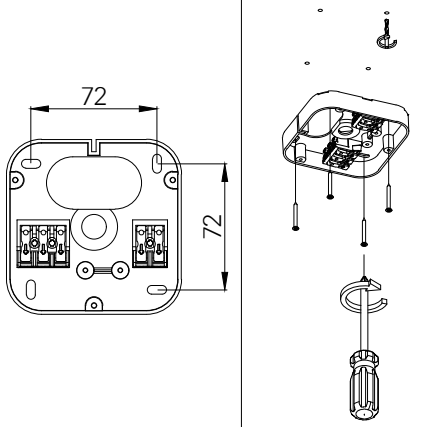


L1[mm]	L2[mm]
890	875
1182	1167
1475	1460
1765	1750
2055	2040

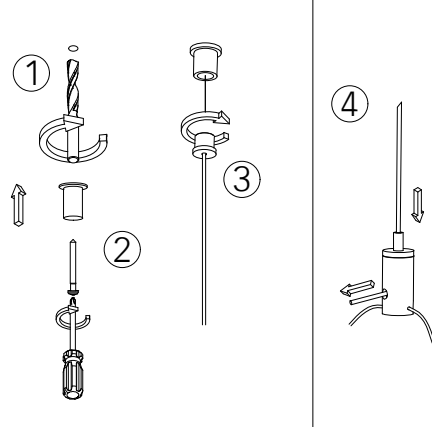
2. Montageöffnungen.
 Installation openings.



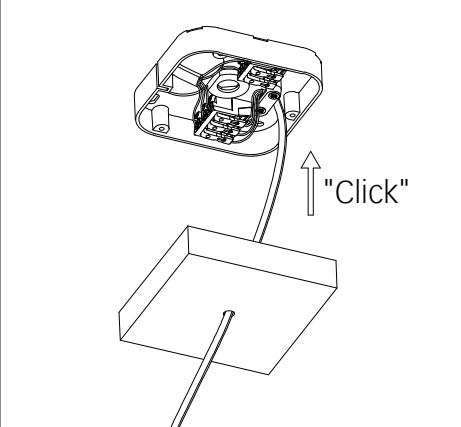
3. Diffuser removal.



4.

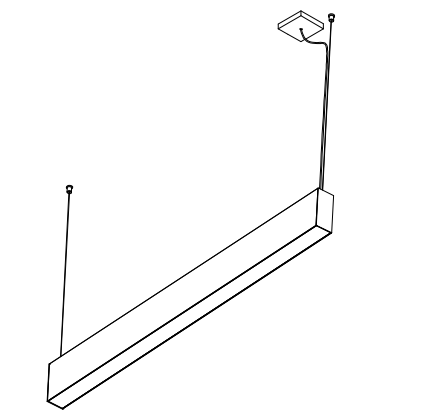


5.



6.

- min/max stripped wire length: 7mm-10mm
 - max power supply cable: 1,5mm²



7.

IMPORTANT:

- all sections must be suspended individually and perfectly levelled (horizontally and vertically) before connecting them together - this is crucial
- all suspension cords must be positioned perfectly vertical
- all suspension cords must be tensioned with the same strength
- if these conditions are not satisfied then the different parts will settle to different levels and work against one another.

8.