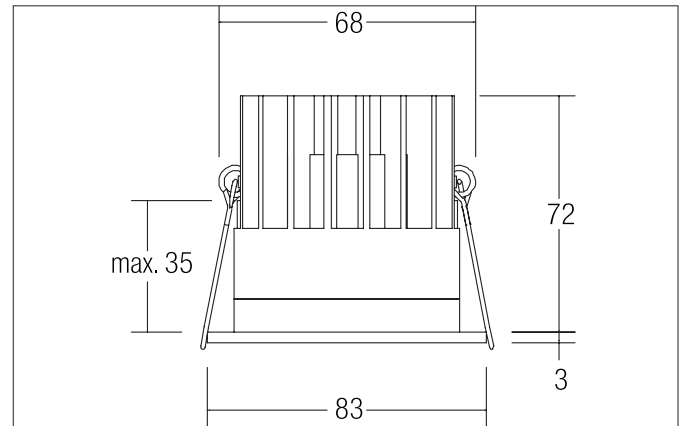


**ALTERO-R LED recessed downlight, dim2warm, IP44**  
Article no. 12035173DW

Light.  
For Generations.



#### Tender

LED recessed downlight, dim2warm, IP44, white structure, Round. In a compact design, for installation in tool-less rapid assembly systems. Wird die Leuchte gedimmt, verringert sich die Farbtemperatur. Lamp holder: Plug&Play, Mounting method: Recessed mounting, Place of installation: Ceiling-mounted, Material: Aluminium / Glass / Plastic, Degree of protection: according to DIN EN 60529 IP44, Protection class: (EN 61140) III, Current: 350 mA, Power: 11.8 W, Amount of light sources / fittings: 1 Qty, Luminous flux : 620 lm, Colour temperature: from 3.000 K to 1.800 K, Beam angle: 33°, Adjustability: Not adjustable, With control gear: No, Dimmable: Depending on type of control gear, Control: Depending on driver.

Article data	
Article no.	12035173DW
GTIN	4251433981794
Series name	ALTERO-R
Short description	LED recessed downlight, dim2warm, IP44
Material	Aluminium
Colour	White
Type of surface	Structure
Shape	Round
Outer diameter	83 mm
Built-in diameter	68 mm
Installation depth	72 mm
Hight	3 mm
Weight	0.241 kg

**ALTERO-R LED recessed downlight, dim2warm, IP44**

Article no. 12035173DW

Light.  
For Generations.

Lighting technology	
Colour temperature	3.000 K - 1.800 K
Light colour	White
Light output	Direct
Luminous flux	620 lm/m
System efficiency	53 lm/W
Colour rendering	CRI > 90
Reflector	High-gloss
Reflektorfarbe	silver
Beam angle	33°
Light sharing	Symmetric

Operating technology of the luminaire	
Voltage type	DC
Current	350 mA
Lamp	LED
Lamp holder	Plug&Play
Protection class	III
Degree of protection	IP44
Schutzart deckenseitig	IP20
Dimmable	Depending on type of control gear
Control	Depending on driver
Bulb change possible	Yes

Mounting technology	
Mounting method	Recessed mounting
Place of installation	Ceiling-mounted
Adjustability	Not adjustable
Max. ceiling thickness	35 mm
Further references	No cover with thermal insulation material
Material cover	Glass transparent

Packing data	
Gross weight	0.291 kg
Length of packaging	100 mm
Packaging width	100 mm
Packaging height	100 mm
Disposal at end of life	This product must not be disposed of with household waste. You are obliged, to dispose of such electrical waste separately. By disposing of electrical waste and other old or defective electronics separately, you support recycling or other forms of re-use. In that way you help to take care and to avoid that harmful substances get into the environment.

**ALTERO-R LED recessed downlight, dim2warm, IP44**

Article no. 12035173DW

Light.  
For Generations.

Accessories	
	Article no.: 17664000 LED converter 350 mA, trailing-edge phase dimmable Power: 10,2 - 14 W Dimensions: 125 mm x 51 mm x 20 mm
	Article no.: 17664010 LED converter 350 mA, trailing-edge phase dimmable Power: 10,2 - 14 W Dimensions: 125 mm x 51 mm x 20 mm
	Article no.: 17664020 LED converter 350 mA, trailing-edge phase dimmable Power: 10,2 - 14 W Dimensions: 125 mm x 51 mm x 20 mm
	Article no.: 17643000 LED converter 350 mA, trailing-edge phase dimmable Power: 8,8 - 18 W Dimensions: 110 mm x 52 mm x 22 mm
	Article no.: 17643010 LED converter 350 mA, trailing-edge phase dimmable Power: 8,8 - 18 W Dimensions: 110 mm x 52 mm x 22 mm
	Article no.: 17643020 LED converter 350 mA, trailing-edge phase dimmable Power: 8,8 - 18 W Dimensions: 110 mm x 52 mm x 22 mm
	Article no.: 17657000 LED converter 350 mA, 1-10 V dimmable (analog) Power: 5,2 - 18 W Dimensions: 110 mm x 52 mm x 22 mm
	Article no.: 17657010 LED converter 350 mA, 1-10 V dimmable (analog) Power: 5,2 - 18 W Dimensions: 110 mm x 52 mm x 22 mm
	Article no.: 17683000 LED converter 350 mA, DALI dimmable (digital) Power: 3,5 - 17 W Dimensions: 110 mm x 52 mm x 22 mm
	Article no.: 17683010 LED converter 350 mA, DALI dimmable (digital) Power: 3,5 - 17 W Dimensions: 110 mm x 52 mm x 22 mm

**ALTERO-R LED recessed downlight, dim2warm, IP44**

Article no. 12035173DW

Light.  
For Generations.

Accessories	
A small white rectangular LED converter with two red wires and two black wires extending from it.	Article no.: 17683020 LED converter 350 mA, DALI dimmable (digital) Power: 3,5 - 17 W Dimensions: 110 mm x 52 mm x 22 mm
A white rectangular LED converter with two red wires and two black wires extending from it.	Article no.: 17671000 LED converter 350mA, ZigBee dimmable Power: 3,5 - 18,5 W Dimensions: 146 mm x 44 mm x 30 mm
A white rectangular LED converter with two red wires and two black wires extending from it.	Article no.: 17671010 LED converter 350mA, ZigBee dimmable Power: 3,5 - 18,5 W Dimensions: 146 mm x 44 mm x 30 mm
A white rectangular LED converter with two red wires and two black wires extending from it, and a black plastic cover attached to one side.	Article no.: 17671020 LED converter 350mA, ZigBee dimmable Power: 3,5 - 18,5 W Dimensions: 146 mm x 44 mm x 30 mm
A white rectangular LED converter with two red wires and two black wires extending from it.	Article no.: 17672000 LED converter 350mA, Casambi dimmable Power: 3,5 - 18 W Dimensions: 146 mm x 44 mm x 30 mm
A white rectangular LED converter with two red wires and two black wires extending from it.	Article no.: 17672010 LED converter 350mA, Casambi dimmable Power: 3,5 - 18 W Dimensions: 146 mm x 44 mm x 30 mm
A white rectangular LED converter with two red wires and two black wires extending from it, and a black plastic cover attached to one side.	Article no.: 17672020 LED converter 350mA, Casambi dimmable Power: 3,5 - 18 W Dimensions: 146 mm x 44 mm x 30 mm
A black cable with a small black connector at one end and a larger black connector at the other.	Article no.: 3835 Plug & Play extension lead 350 mA  Dimensions: 500 mm
A black cable with a small black connector at one end and a larger black connector at the other.	Article no.: 3836 Plug & Play extension lead 350 mA  Dimensions: 1,000 mm
A black cable with a small black connector at one end and a larger black connector at the other.	Article no.: 3837 Plug & Play extension lead 350 mA  Dimensions: 2,000 mm