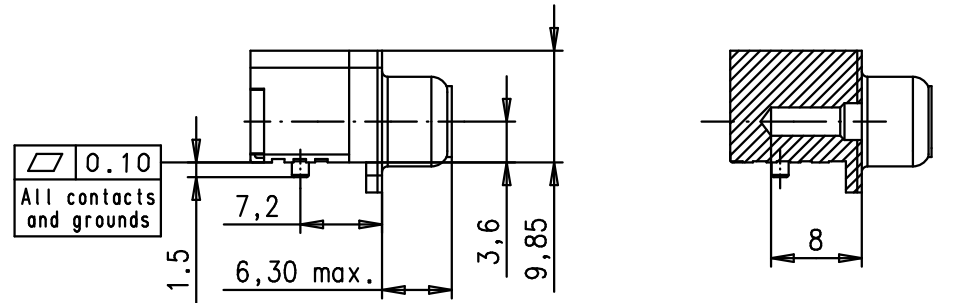
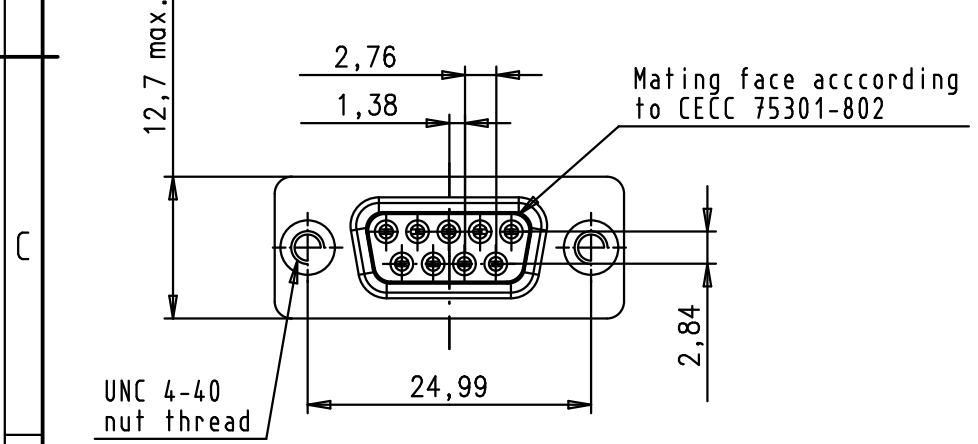


PCB Layout, component side (thickness 1.6 mm min.)



Max. Temperature : 260° during 10 seconds

									D-SUB SMT Low Profile Female 9p with die casted grounds and 4-40 UNC nuts		Maßstab/ Scale 1,5:1
				EC01215	14Jan2010	ED	Detail.	05Jul2007	ED		
				34884	18/02/2008	LP	Insp.				
				34381	17Jul2007	ED	Stand.				
				34374	05Jul2007	ED	HARTING EURL F-95972 Paris			TB 09 55 156 x616	
09551563616.741	1	4-40 UNC	Black Insulator	Reel Packaging (160 connectors) see page 2/2	Mod.	Dot.	Name			Blatt/ Page 1 / 2	
09551566616.741	2										
09551567616.741	3										
Part number	PL	Thread	Index designation	Mod.	Dot.	Name			Sub.		