

## Panel mounting socket outlet, straight - flange 75x75, fixing centers 60x60

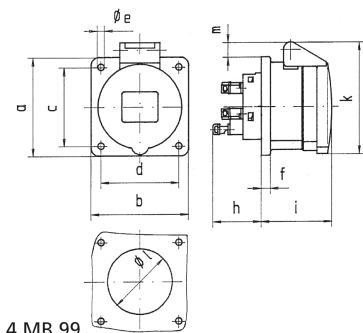


| Product description       |  |
|---------------------------|--|
| BALS-Prd.-Nr              | 13693  |
| EAN                       | 4024941136938  |
| Product category          | Panel mounting socket outlet Quick-Connect, straight |
| Current                   | 16A  |
| Number of poles           | 4p   |
| Poles                     | 3P+PE  |
| Position of earth contact | 6 h  |
| Voltage                   | 380 up to 415V                                       |

| Product description            |  |
|--------------------------------|--|
| Frequency                      | 50 and 60Hz  |
| Protection degree              | IP44   |
| Colour code                    | red RAL 3000   |
| Colour of appliance            | Hinged lid red RAL 3000, Enclosure grey RAL 7035                 |
| Connection design              | screwless spring terminals as cage clamp with Kontex-contact     |
| Maximum conductor size         | 4,0 qmm  |
| Cable entry                    | other  |
| Height                         | 82mm   |
| Width                          | 75mm   |
| Depth                          | 88mm   |
| Flange size vertical           | 75mm   |
| Flange size horizontal         | 75mm   |
| Drill hole distance vertical   | 60mm   |
| Drill hole distance horizontal | 60mm   |
| Material of enclosure          | Polyamide  |
| Contact                        | The contact carrier is made of polyamide, The contacts are brass |

| Logistics data |                  |
|----------------|------------------|
| Weight/pcs     | 0.118 kg / Piece |
| Packaging      | Bag              |
| Content amount | 1 ST             |

| Logistics data |               |
|----------------|---------------|
| EAN            | 4024941136938 |
| Length         | 88 mm         |
| Width          | 75 mm         |
| Height         | 82 mm         |
| Weight         | 0.119 kg      |
| Volume         | 541.2 ccm     |
| Packaging      | Carton        |
| Content amount | 10 ST         |
| EAN            | 4024941957694 |
| Length         | 245 mm        |
| Width          | 177 mm        |
| Height         | 185 mm        |
| Weight         | 1.313 kg      |
| Volume         | 7,140 ccm     |



4 MB 99

| Ampere Polzahl             | 16<br>3 | 16<br>4 | 16<br>5 | 32<br>3 | 32<br>4 | 32<br>5 |
|----------------------------|---------|---------|---------|---------|---------|---------|
| a                          | 75,0    | 75,0    | 75,0    | 75,0    | 75,0    | 75,0    |
| b                          | 75,0    | 75,0    | 75,0    | 75,0    | 75,0    | 75,0    |
| c                          | 60,0    | 60,0    | 60,0    | 60,0    | 60,0    | 60,0    |
| d                          | 60,0    | 60,0    | 60,0    | 60,0    | 60,0    | 60,0    |
| e ø                        | 5,5     | 5,5     | 5,5     | 5,5     | 5,5     | 5,5     |
| f                          | 7,0     | 7,0     | 7,0     | 8,0     | 8,0     | 8,0     |
| h                          | 35,5    | 35,5    | 35,5    | 50,0    | 50,0    | 50,0    |
| i                          | 50,0    | 50,0    | 51,0    | 60,0    | 60,0    | 60,0    |
| k                          | 74,0    | 84,0    | 91,0    | 94,0    | 94,0    | 102,0   |
| l ø                        | 45,0    | 45,0    | 55,0    | 60,0    | 60,0    | 60,0    |
| m                          | 3,5     | 7,0     | 11,5    | 12,0    | 12,0    | 17,0    |
| Leiter mm <sup>2</sup> min | 1,5     | 1,5     | 1,5     | 2,5     | 2,5     | 2,5     |
| Leiter mm <sup>2</sup> max | 4       | 4       | 4       | 10      | 10      | 10      |