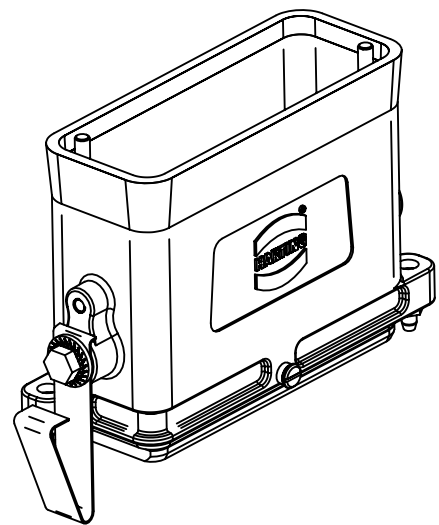
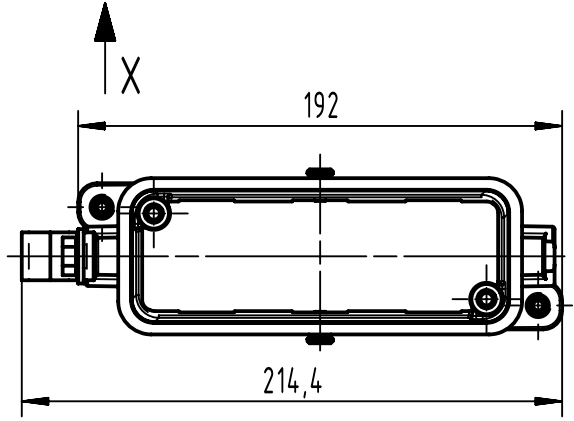
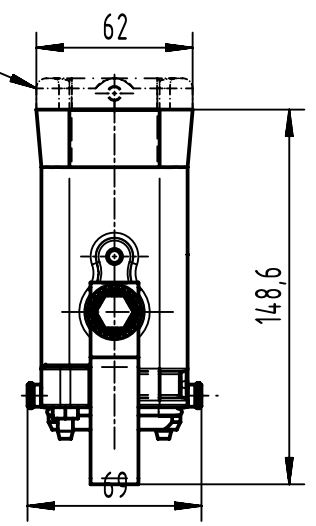
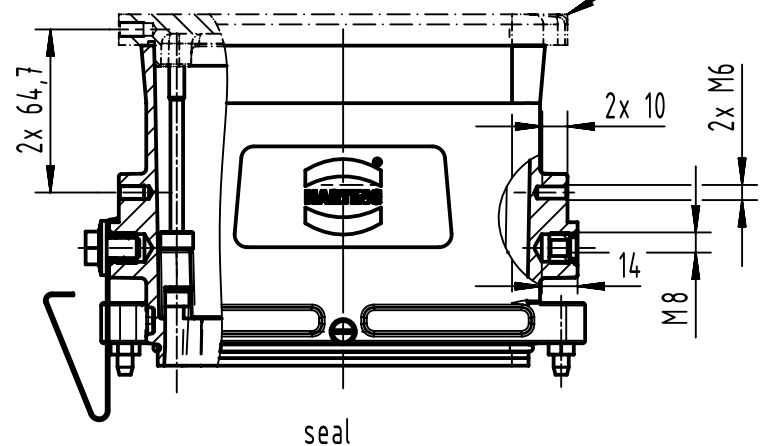
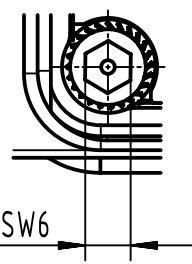


1 2 3 4 5 6

A
B
C
D

cover not included in delivery

X (1:1)



	All Dimensions in mm Original Size DIN A4	Scale 1:3			Free size tol.		Ref.	
		Created by 100887		Inspected by GERB	Standardisation SAP_WFRT	Date 2022-01-26	State Final Release	
	All rights reserved		Title Han 24HPR EasyCon-HSM f. Central Lever				Doc-Key / ECM-Nr. 100218456/UGD/000/F 500000210532	
	Department EL PD		Type TB	Number 09 40 024 0952			Rev. F	Page 1/1
HARTING D-32339 Espelkamp								