



Paulmann

Safety Instructions

0,1,2,4,6,7,8,9,11,15
20,22,26,27



Info

www.paulmann.com

Paulmann Licht GmbH
Quezinger Feld 2
31832 Springe
Germany

www.paulmann.com

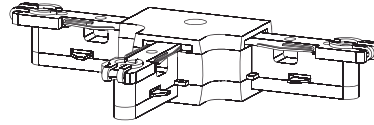
Art.-Nr.:

968.71

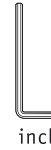
976.86

976.56

(+MA173) PH10/20



1x s=1.5mm

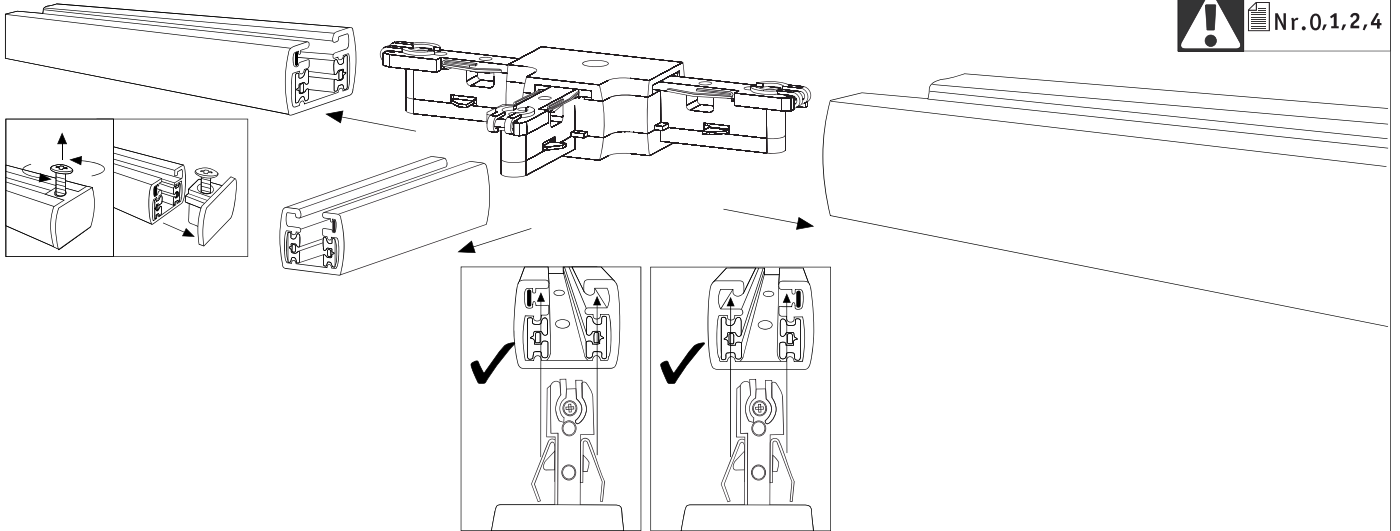


incl

A



Nr. 0.1,2,4



B



Nr. 0.1,2,4

