

Code Reader Group Catalog

1D / 2D
Code Verification



1D / 2D
Code Reader



Total solution from recognition to print quality verification

1D / 2D Symbols and Direct Part Marks

Linear (1D) barcodes have been in commercial use since the 1970s and are the most common symbologies used for automatic identification. Increasing numbers of manufacturers are using two-dimensional (2D) symbols, such as Data Matrix, that offer greater placement flexibility and increased data capacity.

Machine-readable symbols generally fall into the categories of linear barcodes, stacked symbols, 2D symbols and Optical Character Recognition (OCR) fonts.

OMRON Microscan provides fast, reliable reading solutions for 1D and 2D Symbology Standards in the right and OCR. Our products read any linear barcodes or 2D symbols printed or marked by any means, and verify them to industry standards.

Note: OMRON's F430-F and F420-F Smart Cameras provide Optical Character Recognition (OCR). The code readers in this catalog do not provide OCR.

LINEAR BARCODES



Code 128



Code 39



Pharmacode



Code 93



Interleaved 2 of 5



UPC

0 001234 567895
JAN/EAN

STACKED SYMBOLOGIES



PDF417



GS1 DataBar (Stacked)



GS1 DataBar (Composite)



Micro PDF417

2D SYMBOLOGIES



Data Matrix



QR Code



Aztec Code



DotCode

Note: symbologies are not to scale.

DIRECT PART MARKS

Direct part marks (DPM) are typically 2D Data Matrix symbols permanently marked by such methods as dot peen or laser / chemical etch onto substrates including metal, plastic, rubber or glass. OMRON Microscan offers a comprehensive family of readers and verifiers with illumination and decode algorithms specifically designed for difficult direct part marks.



Thermal print on foil



Dot peen on metal



Laser etch on metal



Inkjet on ABS plastic

1D and 2D Symbology Standards

- **ISO / IEC 15416**
1D Print Quality Standard
- **ISO / IEC 15415**
2D Print Quality Standard
- **Automotive Industry Action Group: AIAG B-4**
Parts Identification and Tracking
- **U.S. Department of Defense: IUID MIL-STD-130**
Permanent and Unique Item Identification
- **Electronics Industry Association: EIA 706**
Component Marking
- **Clinical / Laboratory Standards Institute: AUTO2-A2**
Bar Codes for Specimen Container Identification
- **ISO / IEC 16022**
International Symbology Specification
- **ISO / IEC 15434**
Symbol Data Format Syntax
- **Society of Aerospace Engineers: AS9132**
Data Matrix Quality Requirements For Part Marking
- **AIM DPM / ISO 29158**
Direct Part Mark Quality Guideline

NOTE: Symbologies on this page are not shown to scale and are not intended for testing purposes.

Barcode Verification and Label Inspection

Legible, accurate barcodes and text have never been more important than they are today. Inconsistencies in print quality can lead to process inefficiencies and downtime; unreadable barcodes may require re-labeling, re-scanning, or even manual entry of critical information by a human operator.

Inconsistent quality may also result in expensive vendor non-compliance fines and other penalties, plus damage the labeled product's perceived quality.

Readability of barcodes is determined by how well a barcode reader can decode the data stored in the symbol.

Understanding the primary reasons for decoding failures can save operators valuable time and effort when diagnosing reading issues. Once the cause of barcode unreadability is defined, it can be addressed by taking simple, preventative measures.

OMRON Microscan's barcode verifiers are embedded solutions that include camera, software, and precision illumination specifically designed for the verification of 1D / 2D codes and direct part marks to ISO / IEC standards.

Benefits of Barcode Verification Systems

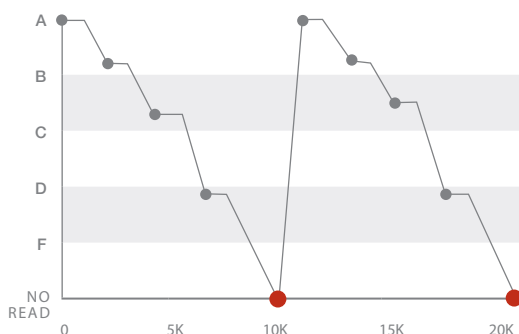
- Comply with symbol quality industry standards and directives
- Maximize efficiency of your manufacturing process
- Control quality in real time as you verify the output from your printer or code marking equipment
- Minimize returned goods due to bad labels
- Increase customer satisfaction
- Produce informative verification reports

THE IMPORTANCE OF VERIFICATION

Automated data capture is critical to a company's success, and the results of scanning failure can have a serious impact. Without verification, bad barcodes are not identified until they are unreadable. By the time a bad barcode is identified, thousands of poor-quality barcodes may have already escaped down the line. With verification, bad barcodes are prevented from being applied to the product, eliminating the chance for future failures.

WITHOUT VERIFICATION

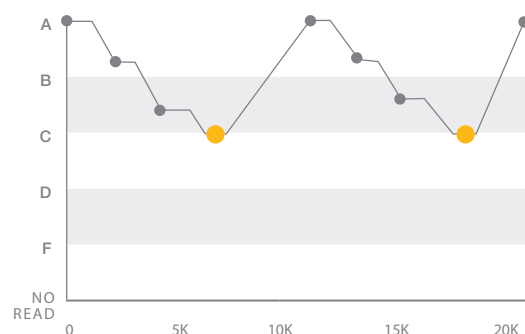
Barcode Quality Over Time:
Using a Reader to Check Quality



Number of Parts Marked / Labeled

WITH VERIFICATION

Barcode Quality Over Time:
Using a Verification Solution to Check Quality



Number of Parts Marked / Labeled

A wide range of products to suit your application



1D / 2D Code Recognition



Multi Code Readers

OMRON Microscan's multi code readers combine compact, easy-to-embed design with the ability to read 2D codes and linear barcodes. They also provide reliable reading of direct part marks (DPM) that are being increasingly used to meet growing demands for traceability.



MicroHAWK V430-F series

Multi code reader with autofocus can reliably read codes at different distances.



MicroHAWK V420-F series

The same reading ability as the V430-F Series but different communication interfaces.



MicroHAWK V330-F series

Compact multi code reader offers flexibility in installation.



MicroHAWK V320-F series

The same reading ability as the V330-F Series but different communication interfaces.

Autofocus	Yes	Yes	No	No
IP Rating	IP65	IP54	IP40	IP40
Connectivity	Ethernet TCP / IP EtherNet / IP™ PROFINET	RS-232C USB Ethernet Via USB	Ethernet TCP / IP EtherNet / IP™ PROFINET	RS-232C Ethernet Via USB
Light	Built-in, expanded, external strobe signal	Built-in, expanded, external strobe signal	Built-in	Built-in

p.6

p.20

p.30

p.36

Laser Barcode Readers

From small products for embedded OEM applications to rugged readers for industrial manufacturing environments, OMRON Microscan offers a wide range of quality products to read linear barcodes and stacked symbols, with features such as high-speed decoding, wide field of view, symbol reconstruction and aggressive decode algorithms.



MS-3 series

Compact raster laser barcode reader offers high-performance decoding and wide scan angle at close range.



QX-830 series

Compact laser barcode reader features QX platform, symbol reconstruction and Ethernet protocols.



QX-870 series

Programmable sweeping raster laser barcode reader with QX platform, symbol reconstruction and Ethernet protocols.

Read Range	51 to 254mm	25 to 762mm	25 to 762mm
Scans / Second	Up to 1000	300 to 1400	300 to 1400
Power	5 VDC	10 to 28 VDC	10 to 28 VDC
Sensor	Laser diode	Laser diode	Laser diode
IP Rating	IP54	IP54	IP65
Connectivity	RS-232, RS-422 / 485 (up to 115.2k), Keyboard Wedge, USB	RS-232, RS-422 / 485 Ethernet TCP / IP or EtherNet / IP™	RS-232, RS-422 / 485 Ethernet TCP / IP or EtherNet / IP™

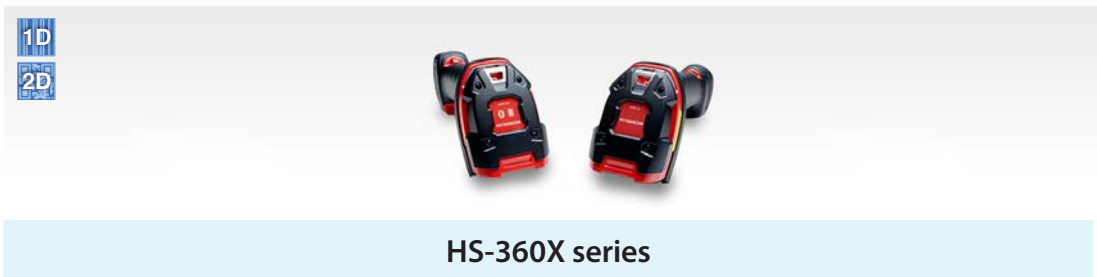
p.42

p.48

p.54

Handheld Code Readers

OMRON Microscan's handheld code readers feature the latest technology for decoding 1D and 2D symbols. From simple data tracking for inventory control to aggressive reading of the toughest direct part marks, we have a handheld solution for various track, trace, and control applications. These compact designs feature durable, shock-resistant enclosures that are disinfectant-ready.



HS-360X series

p.60

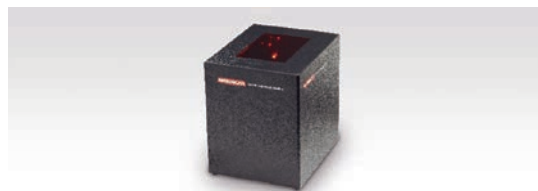


Print Quality Verification



Barcode Verification Systems

OMRON Microscan's LVS® Barcode Verifiers are fully-integrated off-line solutions designed for the verification of 1D and 2D symbols and direct part marks to application standards such as GS1, HIBC, USPS and ISO / IEC 15415 / 15416. Barcode Verification Kits offer flexible integration options for off-line to symbology standards or user-defined parameters.



LVS-9510 series



LVS-958 series

All-in-one desktop verifier for off-line ISO / IEC barcode verification.

All-in-one handheld verifier for flexible verification of multiple printed 1D / 2D symbols and direct part marks (DPM). Can be used with a tablet for portability.

1D / 2D	✓	✓
DPM		✓
GS1 Data	✓	✓
GS1 Certified Manage	✓	✓
Permissions	✓	✓
Field of View	Varies by model	Standard: Horizontal 76 mm, Vertical 57 mm DPM: 44 × 44 mm DPM-HD: 33 × 33 mm

p.66

p.70, 74

Auto Focus Multi Code Reader

MicroHAWK V430-F series

Auto Focus Multi Code Reader

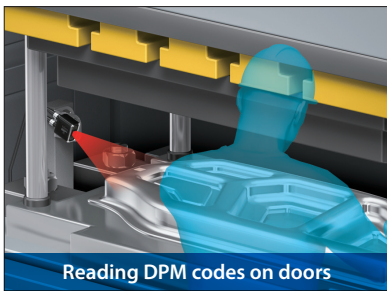


The new V430-F Series offers advanced decode algorithms and improved ruggedness. The long-range model for long-distance reading and improved light model ideal for DPM expand the range of auto focus multi code readers.

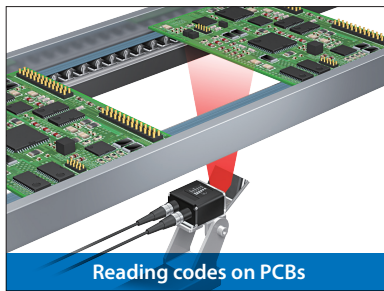
Refer to the V430-F series datasheet (Cat. No. Q274) for details.

Easy to integrate

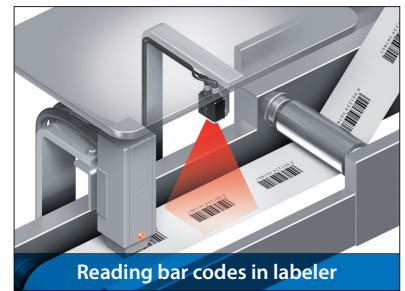
Application in automotive industry



Application in digital industry



Application in F&B/pharma industry

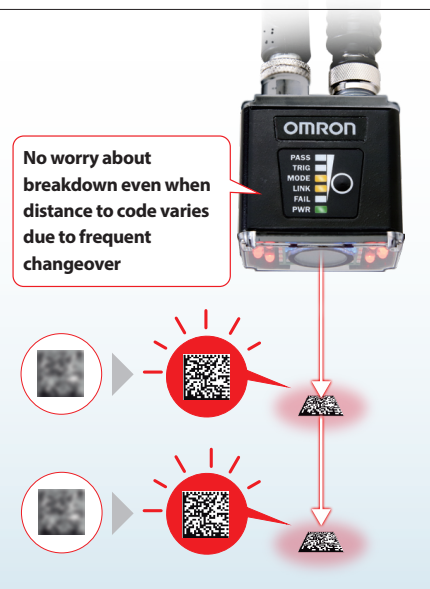
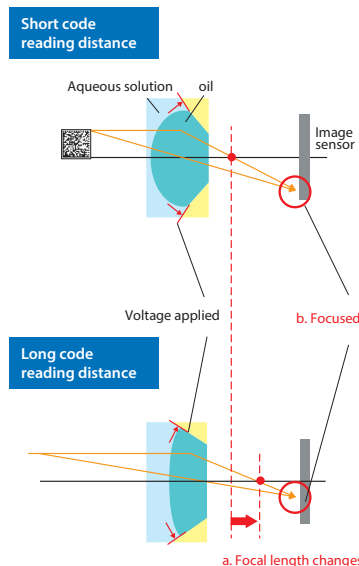


Long life autofocus

Liquid lens for unlimited autofocus

Code readers using a mechanical focus mechanism generally break due to deterioration of the drive mechanism or motor when they perform autofocus tens of thousands of times. The V430-F Series, on the other hand, uses a liquid lens that does not need a drive mechanism or motor, providing unlimited autofocus and long life.

The liquid lens can flexibly change its focal length by applying voltage to change the internal oil and water shape. (a in right figure) In addition, the V430-F Series precisely focuses on objects using the code search algorithm. (b in right figure)



Auto Focus Multi Code Reader MicroHAWK V430-F series

Easy troubleshooting

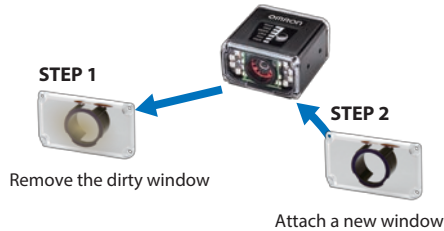
Quick troubleshooting from web browser

The V430-F Series has pre-installed software for setup. There is no software to install or update. You can easily troubleshoot using a PC or tablet with the browser-based interface.



*1. The tablet must be connected to a wireless LAN.

Easy replacement of dirty window



Print Quality Grading function to avoid problems

This function enables an in-line check of the relative quality change and the parameter where the change occurred.

Applicable standards

ISO/IEC 15415
 ISO/IEC 15416
 ISO/IEC TR29158
 (AIM DPM -1-2006) *2
 ISO/IEC 16022

*2. Data Matrix only.

New models with improved functionality joined the V430-F Series. Check the table below and use the new model.

	Old model	New model
Code Reader	V430-F000W50C	V430-F000W50C-SWX
	V430-F000M50C	V430-F000M50C-SWX
	V430-F000W12M	V430-F000W12M-SRX
	V430-F000M12M	V430-F000M12M-SRX
	V430-F000N12M	V430-F000N12M-SRX
	V430-F050M03M	V430-F050M03M-SRX
	V430-F081M03M	V430-F081M03M-SRX
	V430-F102M03M	V430-F102M03M-SRX
Cable	V430-W2-3M	V430-WQR-3M *

* The new model has the same functions as the old model. The model number was changed due to the expansion of the lineup.

Auto Focus Multi Code Reader MicroHAWK V430-F series

Ordering Information

Code Readers

Categories:

1. Fixed Focus Camera

- a.) V430-F Monochrome Fixed Focus Camera
- b.) V430-F Color Fixed Focus Camera
- c.) V430-F 1.2 MP Monochrome Fixed Focus Camera with Narrow Lens

2. Autofocus Camera

- a.) V430-F 0.3 MP Monochrome Autofocus Camera (50 - 300 mm)
- b.) V430-F 1.2 MP Monochrome Autofocus Camera (50 - 300 mm for Wide and Medium Lens, 40 - 150 mm for Narrow Lens)
- c.) V430-F Color Autofocus Camera (50 - 300 mm)
- d.) V430-F 1.2 MP Monochrome Autofocus Camera with Ring Light (50 - 300 mm for Medium Lens, 40 - 150 mm for Narrow Lens)
- e.) V430-F 1.2 MP Monochrome Long Range Autofocus Camera (75 - 1160 mm)

1a) V430-F Monochrome Fixed Focus Camera: Valid Combinations

V430-F[XXX][Y][ZZZ]-[L][C][P]

Key	Classification	Code	Meaning
XXX	Focus Distance (mm)	050	Fixed Focus at 50 mm
		064	Fixed Focus at 64 mm
		081	Fixed Focus at 81 mm
		102	Fixed Focus at 102 mm
		133	Fixed Focus at 133 mm
		190	Fixed Focus at 190 mm
		300	Fixed Focus at 300 mm
Y	Lens	W	Wide Field of View - 5.2 mm Focal Length Lens
		M	Medium Field of View - 7.7 mm Focal Length Lens
ZZZ	Sensor	03M	752 x 480 (0.3 MP) Pixel, Mono Sensor, Global Shutter
		12M	1280 x 960 (1.2 MP) Pixel, Mono Sensor, Global Shutter
L	Light Type	N	No Outer Light
		S	Standard Outer Light
C	Light Color	N	No Outer Light
		R	Red
		W	White
P	Software License	P	High Speed, Plus Mode
		X	High Speed, X-Mode

1b) V430-F 5.0 MP Color Fixed Focus Camera: Valid Combinations

Note: 5 MP Color cameras are available with No Outer Light or White Light options only.

V430-F[XXX][Y]50C-[L][C][P]

Key	Classification	Code	Meaning
XXX	Focus Distance (mm)	050	Fixed Focus at 50 mm
		064	Fixed Focus at 64 mm
		081	Fixed Focus at 81 mm
		102	Fixed Focus at 102 mm
		133	Fixed Focus at 133 mm
		190	Fixed Focus at 190 mm
		300	Fixed Focus at 300 mm
Y	Lens	W	Wide Field of View - 5.2 mm Focal Length Lens
		M	Medium Field of View - 7.7 mm Focal Length Lens
L	Light Type	N	No Outer Light
		S	Standard Outer Light
C	Light Color	N	No Outer Light
		W	White
P	Software License	P	High Speed, Plus Mode
		X	High Speed, X-Mode

Auto Focus Multi Code Reader MicroHAWK V430-F series

1c) V430-F 1.2 MP Monochrome Fixed Focus Camera with Narrow Lens: Valid Combinations

Note: Fixed Focus Narrow lens option available for 1.2 MP Mono camera only.

V430-F[XXX]N12M-[L][C][P]

Key	Classification	Code	Meaning
XXX	Focus Distance (mm)	064	Fixed Focus at 64 mm
		400	Fixed Focus at 400 mm
L	Light Type	N	No Outer Light
		S	Standard Outer Light
C	Light Color	N	No Outer Light
		R	Red
		W	White
P	Software License	P	High Speed, Plus Mode
		X	High Speed, X-Mode

2a) V430-F 0.3 MP Monochrome Autofocus Camera (50 - 300 mm): Valid Combinations

V430-F000[Y]03M-[L][C][P]

Key	Classification	Code	Meaning
Y	Lens	W	Wide Field of View - 5.2 mm Focal Length Lens
		M	Medium Field of View - 7.7 mm Focal Length Lens
L	Light Type	N	No Outer Light
		S	Standard Outer Light
C	Light Color	N	No Outer Light
		R	Red
		W	White
P	Software License	P	High Speed, Plus Mode
		X	High Speed, X-Mode

2b) V430-F 1.2 MP Monochrome Autofocus Camera (50 - 300 mm for Wide and Medium, 40 - 150 mm for Narrow): Valid Combinations

V430-F000[Y]12M-[L][C][P]

Key	Classification	Code	Meaning
Y	Lens	W	Wide Field of View - 5.2 mm Focal Length Lens
		M	Medium Field of View - 7.7 mm Focal Length Lens
		N	Narrow Field of View - 16 mm Focal Length Lens
L	Light Type	N	No Outer Light
		S	Standard Outer Light
C	Light Color	N	No Outer Light
		R	Red
		W	White
P	Software License	P	High Speed, Plus Mode
		X	High Speed, X-Mode

2c) V430-F 5.0 MP Color Autofocus Camera (50 - 300 mm): Valid Combinations

Note: Narrow Autofocus lens option not available for color camera.

V430-F000[Y]50C-[L][C][P]

Key	Classification	Code	Meaning
Y	Lens	W	Wide Field of View - 5.2 mm Focal Length Lens
		M	Medium Field of View - 7.7 mm Focal Length Lens
L	Light Type	N	No Outer Light
		S	Standard Outer Light
C	Light Color	N	No Outer Light
		W	White
P	Software License	P	High Speed, Plus Mode
		X	High Speed, X-Mode

Multi Code Reader

Laser Barcode Reader

Handheld Code Reader

Code Verification System

Auto Focus Multi Code Reader MicroHAWK V430-F series

2d) V430-F 1.2 MP Monochrome Autofocus Camera with Ring Light (50 - 300 mm for Medium, 40 – 150 mm for Narrow): Valid Combinations

Note: Ring Light version is available for Autofocus, Medium, and Narrow lens, 1.2 MP Monochrome camera only.

V430-F000[Y]12M-R[C]X

Key	Classification	Code	Meaning
Y	Lens	M	Medium Field of View – 7.7 mm Focal Length Lens
		N	Narrow Field of View – 16 mm Focal Length Lens
C	Light Color	R	Red
		W	White

2e) V430-F 1.2 MP Monochrome Long Range Autofocus Camera (75 - 1160 mm): Valid Combinations

Note: Autofocus Long Range lens option available for 1.2 MP Monochrome camera only.

V430-F000L12M-[L][C][P]

Key	Classification	Code	Meaning
L	Light Type	N	No Outer Light
		S	Standard Outer Light
C	Light Color	N	No Outer Light
		R	Red
		W	White
P	Software License	P	High Speed, Plus Mode
		X	High Speed, X-Mode

Auto Focus Multi Code Reader MicroHAWK V430-F series

Mounting Options

Type	Model
L Bracket Adjustable Angle Mounting Kit	V430-AM0
1/4-20 Camera Mounting Block Kit	V430-AM1
4" (102 mm) Ram Mount Stand	V430-AM2
APG Pan and Tilt Camera Mount	V430-AM3
Nylon Screw and Washer Electrical Isolation Mounting Kit	V430-AM4
MS-4 / MINI to V/F4XX-F Adapter Plate	V430-AM5
Smart Ring Light to V/F4XX-F Mounting Bracket	V430-AM6
QX / Vision HAWK to V/F4XX-F Adapter Plate	V430-AM7

Optics Options

Type	Model
Front Window Installation Kit	V430-AF10*1
Diffuser Installation Kit	V430-AF11*1
Polarizer Installation Kit	V430-AF12*1
Right Angle Mirror Installation Kit	V430-AF3
YAG Filter Installation Kit	V430-AF4
ESD-Safe Window Installation Kit	V430-AF5
Red Filter Installation Kit	V430-AF6
Blue Filter Installation Kit	V430-AF7

*1. The accessories V430-AF10, V430-AF11, and V430-AF12 are shown in relation to MicroHAWK V430-F□□□□□□□□-□□□□ code readers in this datasheet.

Previous-generation MicroHAWK V4X0-F□□□□□□□□ code readers are compatible with accessory part numbers V430-AF0, V430-AF1, and V430-AF2. Please select the correct accessory from the table based on your code reader part number format.

Accessory	Prior Code Reader V430-F□□□□□□□□-□□□□	New Code Reader V430-F□□□□□□□□
Front Window Installation Kit	V430-AF10	V430-AF0
Diffuser Installation Kit	V430-AF11	V430-AF1
Polarizer Installation Kit	V430-AF12	V430-AF2

Lighting Options

Type	Model
Red Light Installation Kit	V430-ALR
White Light Installation Kit	V430-ALW
Blue Light Installation Kit	V430-ALB
IR Light Installation Kit	V430-ALI

Optics Options (V430-F Window Kits)

Type	Model
Front Window Installation Kit	V430-AF0R
Diffuser Installation Kit	V430-AF1R
Polarizer Installation Kit	V430-AF2R

Lighting Options (V430-F Ring Light Kits)

Type	Model
Red Ring Light Installation Kit	V430-ALRR
White Ring Light Installation Kit	V430-ALWR
Blue Ring Light Installation Kit	V430-ALBR
IR Ring Light Installation Kit	V430-ALIR

Multi Code Reader

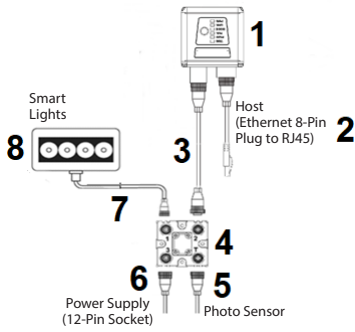
Laser Barcode Reader

Handheld Code Reader

Code Verification System

Auto Focus Multi Code Reader MicroHAWK V430-F series

Wiring Options



Drawing Reference	Category	Length / Spec	Model
2	Ethernet Communication Cables – Straight Connectors M12 Plug on Camera to RJ45 Connector	1 Meter	V430-WE-1M
		3 Meters	V430-WE-3M
		5 Meters	V430-WE-5M
	Ethernet Communication Cables – Right Angle M12 Connectors* M12 Plug on Camera to RJ45 Connector	3 Meters – Right Angle Up*	V430-WELU-3M
		3 Meters – Right Angle Down*	V430-WELD-3M
3	Camera to QX-1 Interconnect Cables M12 Socket to M12 Plug QX-1 is used as breakout module for common IO signals and power.	1 Meter	V430-WQ-1M
	M12 Socket to M12 Plug, with Power Filter	300 mm	V430-WQF-1M
	Camera to QX-1 Interconnect Cables M12 Socket to M12 Plug QX-1 is used as breakout module for common IO signals and power.	3 Meters	V430-WQ-3M
		5 Meters	V430-WQ-5M
4	QX-1 Interconnect Module – Power, Trigger, Smart Light Control Breakout	-	98-000103-02
5	QX-1 Photo Sensor, M12 4-Pin Plug, NPN	2 Meters – Light ON/ Dark ON	99-9000016-01
	QX-1 Field-Wireable M12 4-Pin Plug for Any Trigger Source or Photo Sensor	Screw Terminals	98-9000239-01
6	Power Supply, 100-240VAC, +24VDC, M12 12-Pin Socket	1 Meter US/Euro Plug	97-000012-01
7	QX-1 M12 to Smart Light Power and Strobe Control Cables M12 Plug on QX-1 to 5 Pin Socket on light	3 Meters – Continuous Power	61-000204-01
		3 Meters – Strobe Control	61-000218-01
8	Omron Microscan Smart Light Series	Integrated Power and Strobe Control Module	See Omron Microscan Smart Light Offering - Ring, DOAL, Large Area Lighting

* Right angle cables.



Multi Code Reader

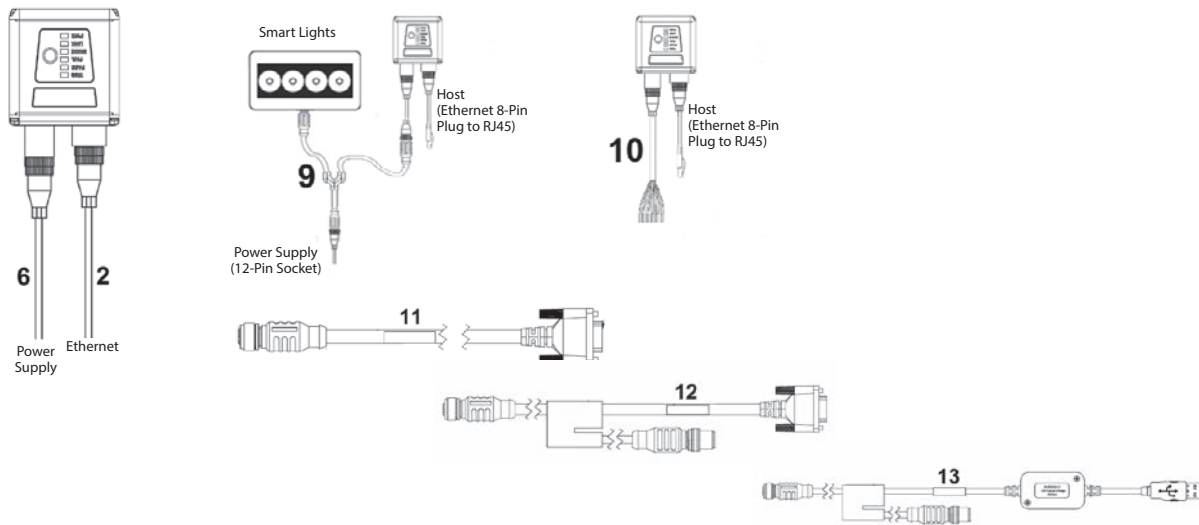
Laser Barcode Reader

Handheld Code Reader

Code Verification System

Auto Focus Multi Code Reader MicroHAWK V430-F series

Alternate Wiring Options



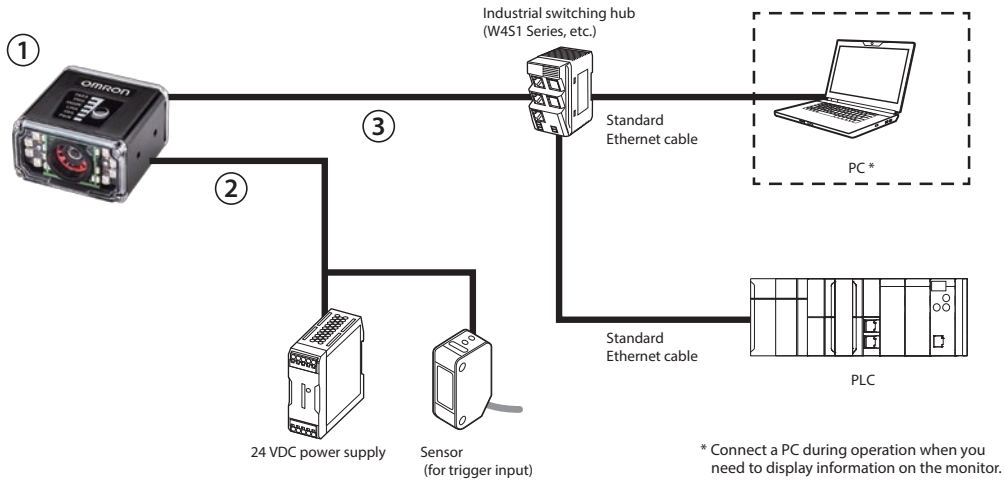
Drawing Reference	Category	Length / Spec	Model
9	Y Cable, Camera/Power and Smart Light Power (Continuous On)	1 Meter	61-9000135-01
	Y Cable, Camera/Power and Smart Light Strobe Control	1 Meter	61-9000137-01
10	M12 to Flying Leads Cable, Straight Power, IO, RS-232, USB	3 Meters	V430-W8-3M
	M12 to Flying Leads Cable, with Power Filter		V430-W8F-3M
	M12 to Flying Leads Cable, Straight Power, IO, RS-232, USB	5 Meters	V430-W8-5M
	M12 to Flying Leads Cable, with Power Filter		V430-W8F-5M
	M12 to Flying Leads Cable Right Angle Power, IO, RS232, USB	3 Meters – Right Angle Up	V430-W8LU-3M
	M12 to Flying Leads Cable Right Angle, with Power Filter		V430-W8LUF-3M
	M12 to Flying Leads Cable Right Angle Power, IO, RS232, USB	3 Meters – Right Angle Down	V430-W8LD-3M
	M12 to Flying Leads Cable Right Angle, with Power Filter		V430-W8LDF-3M
11	M12 to RS-232 Breakout	1 Meter	V430-WR-1M
		3 Meters	V430-WR-3M
12	Camera to QX-1 Interconnect Cables with RS-232 Breakout	2.7 Meters	V430-WQR-3M
13	Camera to QX-1 Interconnect Cables with USB Keyboard Wedge Breakout	2.7 Meters	V430-WQK-3M

Auto Focus Multi Code Reader MicroHAWK V430-F series

System Configurations

Ethernet (TCP / IP, EtherNet/IP, PROFINET)

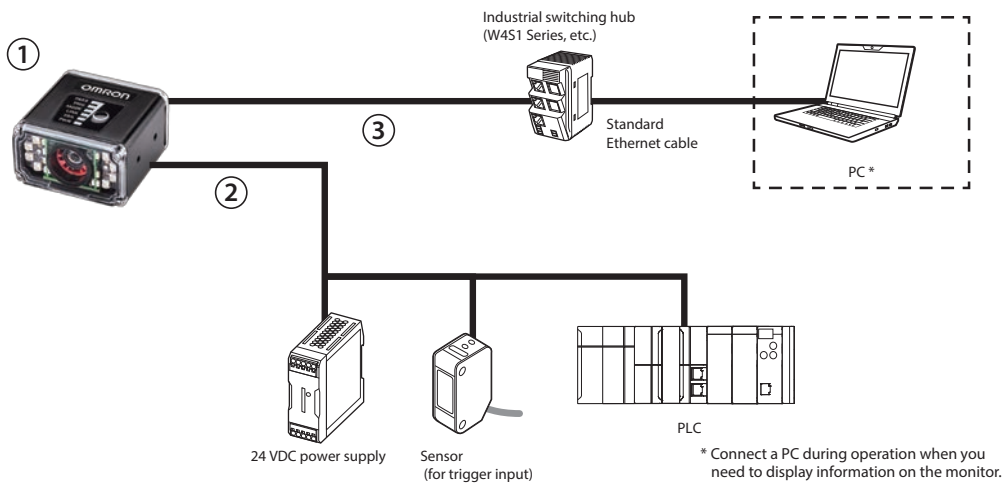
Input commands and output results via Ethernet.
Triggers can be input using the V430-W8 Cable.



No.	Type	Model
1	Auto Focus Multi Code Reader	V430-F□□□□□□□□-□□□
2	I/O cable (Flying Leads Cable)	V430-W8□□□□-□M
3	Ethernet cable	V430-WE□□□□-□M

I/O interface

Input triggers and output judgment results via I/O.



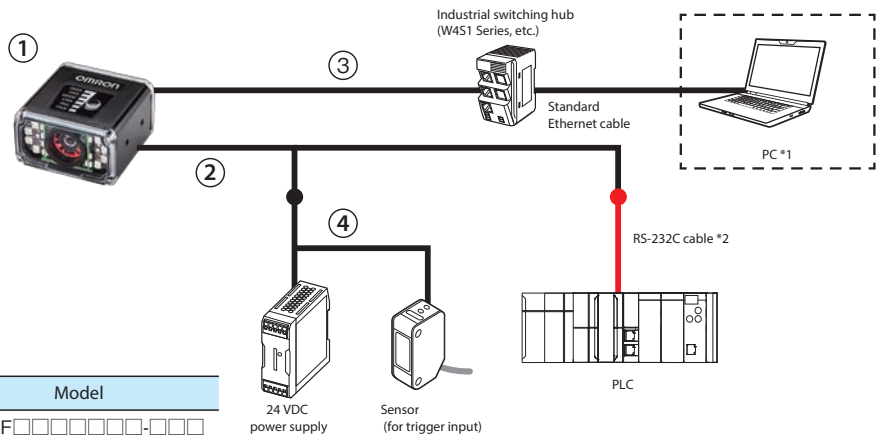
No.	Type	Model
1	Auto Focus Multi Code Reader	V430-F□□□□□□□□-□□□
2	I/O cable (Flying Leads Cable)	V430-W8□□□□-□M
3	Ethernet cable	V430-WE□□□□-□M

Auto Focus Multi Code Reader MicroHAWK V430-F series

System Configurations

RS-232C configuration 1

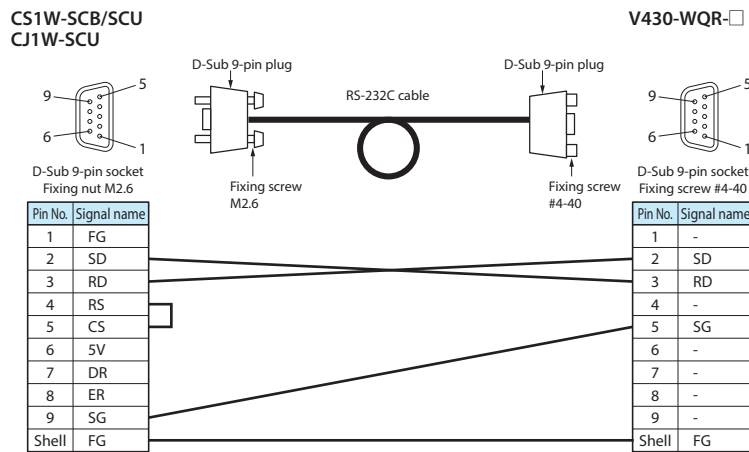
Input commands and output results via RS-232C. Triggers can be input using the V430-W8 Cable.



No.	Type	Model
1	Auto Focus Multi Code Reader	V430-F□□□□□□□□-□□□□
2	Camera to QX-1 Interconnect Cables with RS-232 Breakout	V430-WQR-□□□□
3	Ethernet cable	V430-WE□□□□-□□□□
4	I/O cable (Flying Leads Cable)	V430-W8□□□□-□□□□

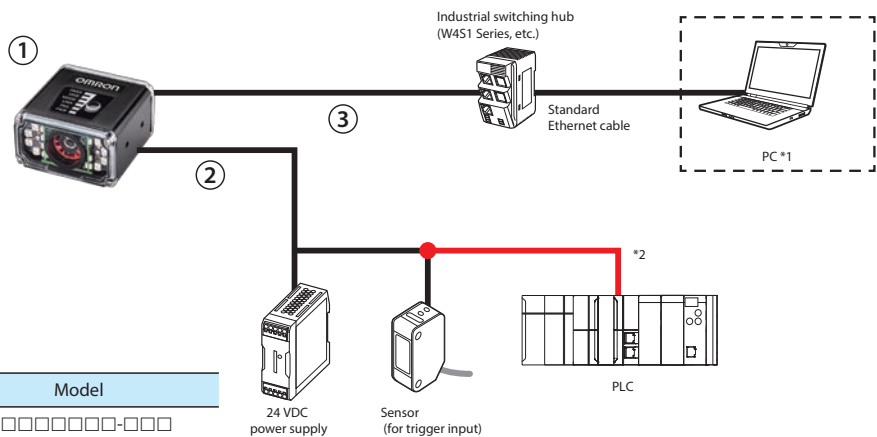
*1. Connect a PC during operation when you need to display information on the monitor.
 *2. When connecting Omron's CS/CJ/NJ Controller, check the connector shape and signal lines (pin assignment) before preparing the cable. Connect the V430-WQR Cable directly to Omron's NX Machine Automation Controller or a PC. No RS-232C cable is required.

Wiring of RS-232C cable (Connecting CS/CJ/NJ Controller)



RS-232C configuration 2

Input commands and output results via RS-232C. Triggers can be input using the V430-W8 Cable.



No.	Type	Model
1	Auto Focus Multi Code Reader	V430-F□□□□□□□□-□□□□
2	I/O cable (Flying Leads Cable)	V430-W8□□□□-□□□□
3	Ethernet cable	V430-WE□□□□-□□□□

*1. Connect a PC during operation when you need to display information on the monitor.
 *2. Check the connector shape and signal lines (pin assignment) before preparing the V430-W8 Cable.

Multi Code Reader

Laser Barcode Reader

Handheld Code Reader

Code Verification System

Auto Focus Multi Code Reader MicroHAWK V430-F series

Ratings and Specifications

V430-F		V430-F□□□□03M-□□□□	V430-F□□□□12M-□□□□	V430-F□□□□50C-□□□□
Symbologies *1	1D Symbologies	Code 39, Code 128, BC412, Interleaved 2 of 5, UPC/EAN, Codabar, Code 93, Pharmacode, PLANET, Postnet, Japanese Post, Australian Post, Royal Mail, Intelligent Mail, KIX		
	2D Symbologies	Data Matrix (ECC 0-200), QR Code, Micro QR Code, Aztec Code, DotCode		
	Stacked Symbologies	PDF417, MicroPDF417, GS1 Databar (Composite and Stacked)		
Reading Performance *2	Number of Reading Digits	No Upper Limit (depending on bar width and reading distance)		
	Aiming Light	Two Blue LEDs		
	Illumination	Inner LEDs: Four White and Four Red (Wavelength: 625 nm)		
		Outer LEDs:	8 Red or White	8 Red or White; 24 Red or White for V430-F□□□□12M-R□□□
	Reading Distance / Field of View	Refer to <i>Read Ranges</i> section for detail.		
	Pitch Angle (α) *3	±30°		
	Skew Angle (β) *3	±30°		
	Tilt Angle (γ) *3	±180°		
Image Capture	Focus	Liquid Lens Autofocus or Fixed Focus (Wide = 5.2 mm, Medium = 7.7 mm, Narrow = 16 mm, L = 16 mm)		
	Resolution	752 (H) x 480 (V)	1280 (H) x 960 (V)	2592 (H) x 1944 (V)
	Color / Monochrome	Monochrome CMOS	Monochrome CMOS	Color CMOS
	Shutter	Global Shutter	Global Shutter	Rolling Shutter
	Frames per Second	60 fps	42 fps	5 fps
	Exposure	50 to 100,000 μs		
Image Logging		FTP		
Trigger		External Trigger (Edge or Level), Communication Trigger (Ethernet, RS-232C)		
I/O Specifications	Input Signals	Trigger Input; New Master: Bi-Directional, Optoisolated, 4.5-28 V rated (10 mA @ 28 VDC)		
	Output Signals	3 Signals : Bi-Directional, Optoisolated, 1-28V rated, (ICE < 100 mA at 24VDC, current limited by user)		
Communication	Connectivity	RS-232C, Ethernet TCP/IP, EtherNet/IP, PROFINET		
	Ethernet Specifications	100BASE-TX / 10BASE-T		
Indicator LEDs		PASS (Green), TRIG (Amber), MODE (Amber), LINK (Amber), FAIL (Red), PWR (Green)		
Power Supply Voltage		5 to 30.0 VDC, 200 mV p-p max ripple		
Current Consumption		0.18 A at 24 VDC (max.)		
Environmental Immunity*4	Ambient Temperature Range	Operating: 0 to 45° C Storage: -50 to 75°C (No Icing or Condensation)		
	Ambient Humidity Range	Operating and Storage: 5% to 95% (Non-Condensing)		
	Ambient Atmosphere	No Corrosive Gases		
	Vibration Resistance (Destructive)	Sine Vibration: 10 Hz to 55 Hz, 0.35 mm displacement, 20 cycles/axis. Random Vibration: 20 Hz to 2000 Hz, 6.295 Grms, 30 min/axis		
	Shock Resistance (Destructive)	50G, 11 ms, sawtooth profile. 3X in each X, Y, Z axis		
Weight	Main Body Only	Approx. 68 g		
	Packaging Weight	Approx. 174 g (including packing)		
Dimensions	Main Body Dimensions	44.5 (W) x 44.5 (D) x 25.4 (H) mm		
	Packaging Dimensions	170 (W) x 117 (D) x 86 (H) mm		
Accessories		ReadMeFirst, CE Compliance Sheet		
LED Safety Standard		IEC 62471-1: 2006 Risk-Exempt Group		
Safety Standards		EN 55024:2010, EN 55032:2015 + AC:2016 FCC Part 15, Subpart B (Class B) UL60950-1 BIS, RCM, KC EAC and BSMI Pending		
Materials	Case	Aluminum Diecast, Alumite (Black)		
	Reading Window	Acrylic		
Software		WebLink		

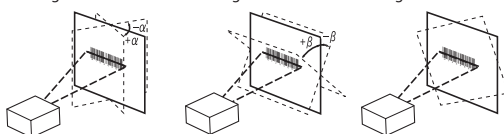
*1. These symbologies are supported based on Omron's read capability validation standard. Omron recommends that validation be performed for each application.

*2. Unless otherwise specified, reading performance is defined with center of field of view, angle R=∞.

*3. Pitch angle

Skew angle

Tilt angle



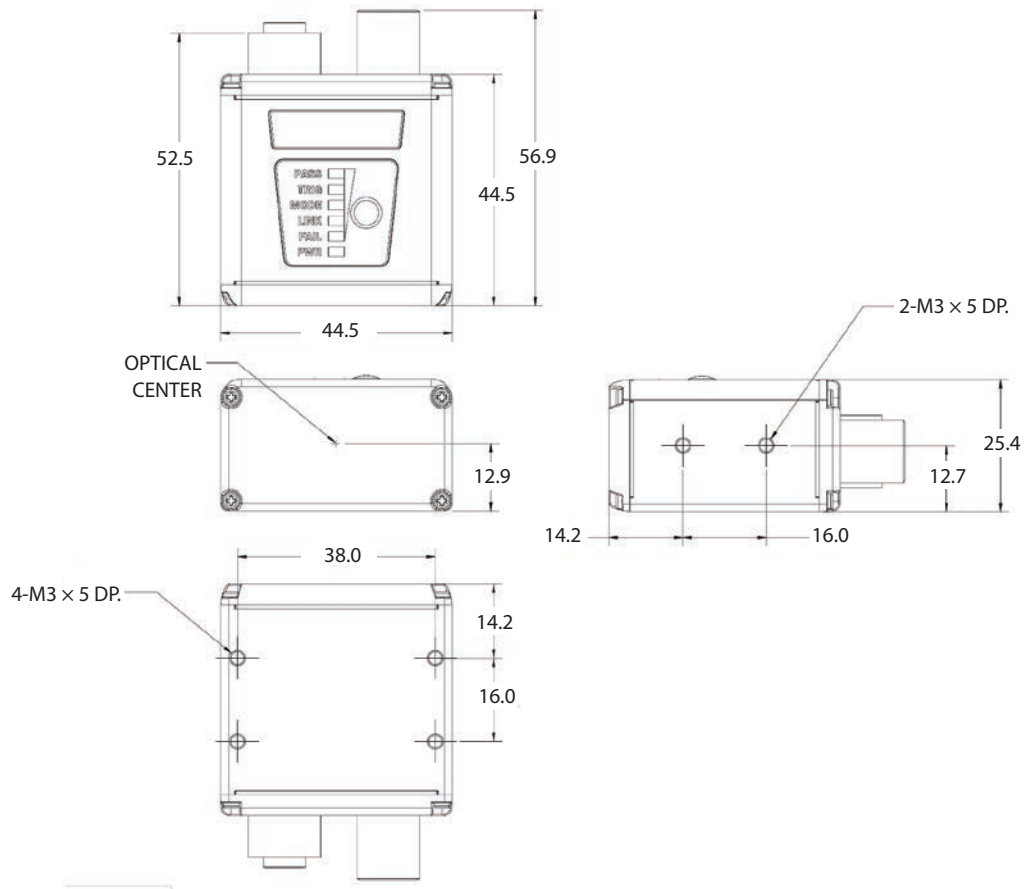
*4. In an electrically noisy environment, use only the V430-F in combination with a noise filter cable (V430-W□F-□M) to ensure proper operation.

Auto Focus Multi Code Reader MicroHAWK V430-F series

Dimensions

(Unit: mm)

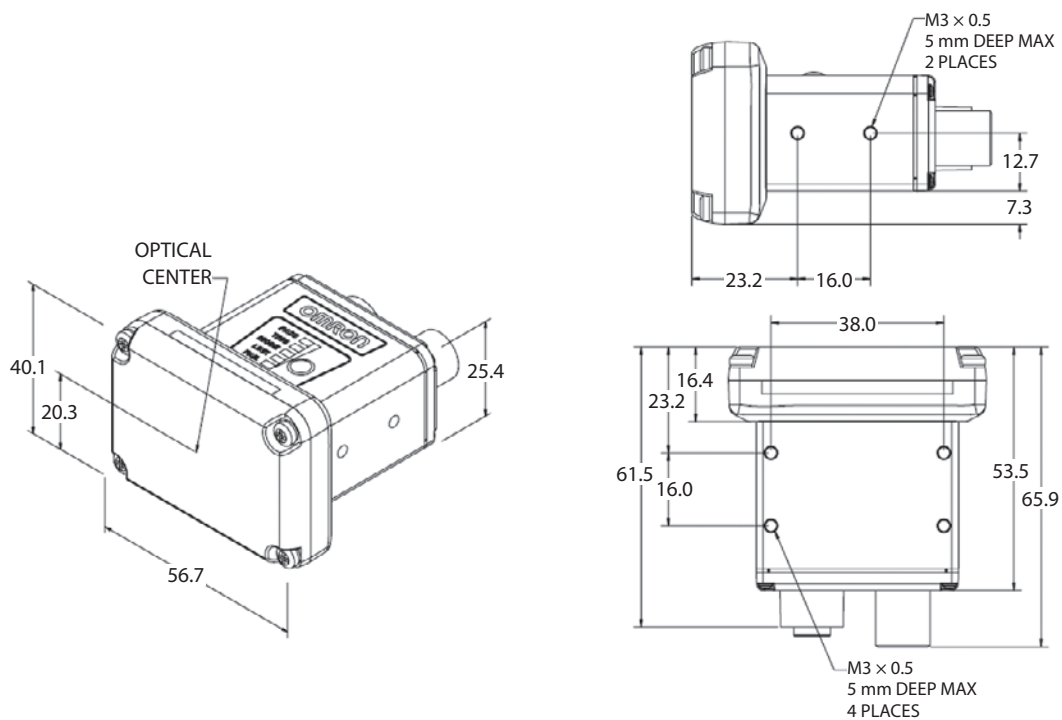
Code Reader
V430-F



Multi Code Reader

Laser Barcode Reader

Code Reader
V430-F with Alternate Optics and Illumination



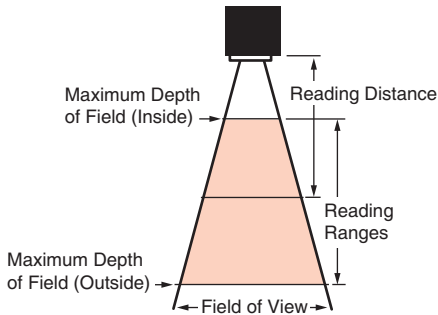
Handheld Code Reader

Code Verification System

Auto Focus Multi Code Reader V430-F series

Read Ranges

Read range specifications are subject to change.



Fixed Focus Field of View (mm) - Wide Lens

Distance (mm)	0.3 MP		1.2 MP		5 MP	
	Width	Height	Width	Height	Width	Height
50	49	32	53	39	50	38
64	62	39	66	49	63	47
81	76	49	81	61	78	58
102	95	60	101	75	96	72
133	121	78	129	97	124	92
190	171	109	182	136	174	130
300	266	170	283	213	271	202
400	353	225	376	282	359	268

Fixed Focus Field of View (mm) - Medium Lens

Distance (mm)	0.3 MP		1.2 MP		5 MP	
	Width	Height	Width	Height	Width	Height
50	34	22	36	27	35	26
64	43	27	45	34	43	32
81	53	34	56	42	54	40
102	66	42	70	52	67	50
133	84	54	90	67	86	64
190	119	76	126	95	121	90
300	185	118	196	147	188	140
400	245	156	260	195	249	186

Fixed Focus Field of View (mm) - Narrow Lens

Distance (mm)	0.3 MP		1.2 MP		5 MP	
	Width	Height	Width	Height	Width	Height
50	15	10	16	12	16	12
64	19	12	21	15	20	15
81	24	15	25	19	24	18
102	30	19	32	24	30	22
133	38	24	40	30	39	29
190	54	34	57	43	54	41
300	83	53	89	67	85	63
400	111	71	118	88	113	84

Multi Code Reader

Laser Barcode Reader

Handheld Code Reader

Code Verification System

Auto Focus Multi Code Reader V430-F series

Autofocus Field of View (mm) - Wide Lens

Distance (mm)	0.3 MP		1.2 MP		5 MP	
	Width	Height	Width	Height	Width	Height
50	51	33	55	41	52	39
100	97	62	103	77	98	73
150	142	90	151	113	144	107
200	187	119	199	149	190	142
250	232	148	247	185	236	176
300	277	177	295	221	282	210

Autofocus Field of View (mm) - Medium Lens

Distance (mm)	0.3 MP		1.2 MP		5 MP	
	Width	Height	Width	Height	Width	Height
50	33	21	36	27	34	25
100	63	40	67	50	64	48
150	92	59	98	73	94	70
200	121	77	129	97	123	92
250	151	96	160	120	153	114
300	180	115	191	144	183	136

Autofocus Field of View (mm) - Narrow Lens

Distance (mm)	0.3 MP		1.2 MP		5 MP	
	Width	Height	Width	Height	Width	Height
50	15	10	16	12	16	12
100	29	19	31	23	30	22
150	43	27	45	34	43	32

Long Range Autofocus Field of View (mm)

Distance (mm)	0.3 MP		1.2 MP		5 MP	
	Width	Height	Width	Height	Width	Height
75	22	14	24	18	23	17
100	29	19	31	23	30	22
200	56	36	60	45	57	43
300	83	53	89	67	85	63
400	111	71	118	88	113	84
500	138	88	147	110	140	105
600	165	105	176	132	168	125
700	192	123	204	153	196	146
800	219	140	233	175	223	166
900	247	157	262	197	251	187
1000	274	175	291	218	279	208
1200	328	209	349	262	334	249
1300	355	227	378	283	362	270
1400	382	244	407	305	389	290
1500	410	261	436	327	417	311

Related Manuals

Man.No.	Model	Manual
Z432	V320-F, V330-F, V420-F, V430-F	MicroHAWK V320-F / V330-F / V420-F / V430-F User Manual

Auto Focus Multi Code Reader

MicroHAWK V420-F series

Multi Code Reader

Laser Barcode Reader

Handheld Code Reader

Code Verification System

Auto Focus Multi Code Reader



The MicroHAWK V420-F Auto Focus Multi Code Reader has the same reading ability as the MicroHAWK V430-F Series but different communication interfaces.

- RS-232, USB, Ethernet Over USB
- IP54 Enclosure

• See the V430-F Series on page 6 for the common features. Refer to the V420-F series datasheet (Cat. No. Q275) for details.

Ordering Information

Code Readers

Categories:

1. Fixed Focus Camera

- a.) V420-F Monochrome Fixed Focus Camera
- b.) V420-F Color Fixed Focus Camera
- c.) V420-F 1.2 MP Monochrome Fixed Focus Camera with Narrow Lens

2. Autofocus Camera

- a.) V420-F 0.3 MP Monochrome Autofocus Camera (50 -300 mm)
- b.) V420-F 1.2 MP Monochrome Autofocus Camera (50 – 300 mm for Wide and Medium Lens, 40 – 150 mm for Narrow Lens)
- c.) V420-F Color Autofocus Camera (50 - 300 mm)
- d.) V420-F 1.2 MP Monochrome Long Range Autofocus Camera (75 - 1160 mm)

1a) V420-F Monochrome Fixed Focus Camera: Valid Combinations

V420-F[XXX][Y][ZZZ]-[L][C][P]

Key	Classification	Code	Meaning
XXX	Focus Distance (mm)	050	Fixed Focus at 50 mm
		064	Fixed Focus at 64 mm
		081	Fixed Focus at 81 mm
		102	Fixed Focus at 102 mm
		133	Fixed Focus at 133 mm
		190	Fixed Focus at 190 mm
		300	Fixed Focus at 300 mm
Y	Lens	W	Wide Field of View - 5.2 mm Focal Length Lens
		M	Medium Field of View – 7.7 mm Focal Length Lens
ZZZ	Sensor	03M	752 x 480 (0.3 MP) Pixel, Mono Sensor, Global Shutter
		12M	1280 x 960 (1.2 MP) Pixel, Mono Sensor, Global Shutter
L	Light Type	N	No Outer Light
		S	Standard Outer Light
C	Light Color	N	No Outer Light
		R	Red
		W	White
P	Software License	P	High Speed, Plus Mode
		X	High Speed, X-Mode

Auto Focus Multi Code Reader MicroHAWK V420-F series

1b) V420-F 5.0 MP Color Fixed Focus Camera: Valid Combinations

Note: 5 MP Color cameras are available with No Outer Light or White Light options only.

V420-F[XXX][Y]50C-[L][C][P]

Key	Classification	Code	Meaning
XXX	Focus Distance (mm)	050	Fixed Focus at 50 mm
		064	Fixed Focus at 64 mm
		081	Fixed Focus at 81 mm
		102	Fixed Focus at 102 mm
		133	Fixed Focus at 133 mm
		190	Fixed Focus at 190 mm
		300	Fixed Focus at 300 mm
Y	Lens	W	Wide Field of View - 5.2 mm Focal Length Lens
		M	Medium Field of View – 7.7 mm Focal Length Lens
L	Light Type	N	No Outer Light
		S	Standard Outer Light
C	Light Color	N	No Outer Light
		W	White
P	Software License	P	High Speed, Plus Mode
		X	High Speed, X-Mode

1c) V420-F 1.2 MP Monochrome Fixed Focus Camera with Narrow Lens: Valid Combinations

Note: Fixed Focus Narrow lens option available for 1.2 MP Mono camera only.

V420-F[XXX]N12M-[L][C][P]

Key	Classification	Code	Meaning
XXX	Focus Distance (mm)	064	Fixed Focus at 64 mm
		400	Fixed Focus at 400 mm
L	Light Type	N	No Outer Light
		S	Standard Outer Light
C	Light Color	N	No Outer Light
		R	Red
		W	White
P	Software License	P	High Speed, Plus Mode
		X	High Speed, X-Mode

2a) V420-F 0.3 MP Monochrome Autofocus Camera (50 - 300 mm): Valid Combinations

V420-F000[Y]03M-[L][C][P]

Key	Classification	Code	Meaning
Y	Lens	W	Wide Field of View - 5.2 mm Focal Length Lens
		M	Medium Field of View – 7.7 mm Focal Length Lens
L	Light Type	N	No Outer Light
		S	Standard Outer Light
C	Light Color	N	No Outer Light
		R	Red
		W	White
P	Software License	P	High Speed, Plus Mode
		X	High Speed, X-Mode

Multi Code Reader
Laser Barcode Reader
Handheld Code Reader
Code Verification System

Auto Focus Multi Code Reader MicroHAWK V420-F series

2b) V420-F 1.2 MP Monochrome Autofocus Camera (50 - 300 mm for Wide and Medium, 40 – 150 mm for Narrow): Valid Combinations**V420-F000[Y]12M-[L][C][P]**

Key	Classification	Code	Meaning
Y	Lens	W	Wide Field of View - 5.2 mm Focal Length Lens
		M	Medium Field of View – 7.7 mm Focal Length Lens
		N	Narrow Field of View – 16 mm Focal Length Lens
L	Light Type	N	No Outer Light
		S	Standard Outer Light
C	Light Color	N	No Outer Light
		R	Red
		W	White
P	Software License	P	High Speed, Plus Mode
		X	High Speed, X-Mode

2c) V420-F 5.0 MP Color Autofocus Camera (50 - 300 mm): Valid Combinations

Note: Narrow Autofocus lens option not available for color camera.

V420-F000[Y]50C-[L][C][P]

Key	Classification	Code	Meaning
Y	Lens	W	Wide Field of View - 5.2 mm Focal Length Lens
		M	Medium Field of View – 7.7 mm Focal Length Lens
L	Light Type	N	No Outer Light
		S	Standard Outer Light
C	Light Color	N	No Outer Light
		W	White
P	Software License	P	High Speed, Plus Mode
		X	High Speed, X-Mode

2d) V420-F 1.2 MP Monochrome Long Range Autofocus Camera (75 - 1160 mm): Valid Combinations

Note: Autofocus Long Range lens option available for 1.2 MP Monochrome camera only.

V430-F000L12M-[L][C][P]

Key	Classification	Code	Meaning
L	Light Type	N	No Outer Light
		S	Standard Outer Light
C	Light Color	N	No Outer Light
		R	Red
		W	White
P	Software License	P	High Speed, Plus Mode
		X	High Speed, X-Mode

Auto Focus Multi Code Reader MicroHAWK V420-F series

Mounting Options

Type	Model
L Bracket Adjustable Angle Mounting Kit	V430-AM0
1/4-20 Camera Mounting Block Kit	V430-AM1
4" (102 mm) Ram Mount Stand	V430-AM2
APG Pan and Tilt Camera Mount	V430-AM3
Nylon Screw and Washer Electrical Isolation Mounting Kit	V430-AM4
MS-4 / MINI to V/F4XX-F Adapter Plate	V430-AM5
Smart Ring Light to V/F4XX-F Mounting Bracket	V430-AM6
QX / Vision HAWK to V/F4XX-F Adapter Plate	V430-AM7

Optics Options

Type	Model
Front Window Installation Kit	V430-AF10
Diffuser Installation Kit	V430-AF11
Polarizer Installation Kit	V430-AF12
Right Angle Mirror Installation Kit	V430-AF3
YAG Filter Installation Kit	V430-AF4
ESD-Safe Window Installation Kit	V430-AF5
Red Filter Installation Kit	V430-AF6
Blue Filter Installation Kit	V430-AF7

Lighting Options

Type	Model
Red Light Installation Kit	V430-ALR
White Light Installation Kit	V430-ALW
Blue Light Installation Kit	V430-ALB
IR Light Installation Kit	V430-ALI

Multi Code Reader

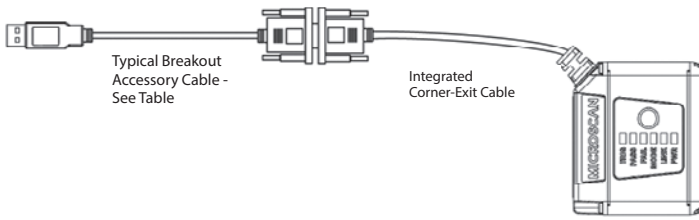
Laser Barcode Reader

Handheld Code Reader

Code Verification System

Auto Focus Multi Code Reader MicroHAWK V420-F series

Wiring Options



Appearance	Category	Length / Spec	Model
Accessory USB Cable To Host	USB Breakout Cable	1 Meter	V420-WUB-1M
Accessory USB Cable To Host Power Supply	Cable – USB Breakout with External Power Input	1 Meter	V420-WUX-1M
	Power Supply	2 Meters	97-9000006-01
	Kit – Cable and Power Supply	-	V420-AC1
To Host Power Supply	Cable – RS-232 Breakout (DB-15) and External Power Input	1 Meter	V420-WRX-1M
	Power Supply	2 Meters	97-9000006-01
	Kit – Cable and Power Supply	-	V420-AC0
I/O To Power Supply Accessory USB Cable To Host	Cable – USB, IO, and Power Breakout	1 Meter	V420-WU8X-1M
	Power Supply	2 Meters	97-000011-02
	Kit – Cable and Power Supply	-	V420-AC2
I/O To Power Supply USB Breakout RS-232 Breakout	Cable – RS-232, USB, IO, and Power Breakout	1 Meter	V420-WRU8X-1M
	Power Supply	2 Meters	97-000011-02

Multi Code Reader

Laser Barcode Reader

Handheld Code Reader

Code Verification System

Auto Focus Multi Code Reader MicroHAWK V420-F series

Ratings and Specifications

V420-F		V420-F□□□□03M-□□□□	V420-F□□□□12M□□□□	V420-F□□□□50C-□□□□
Symbologies *1	1D Symbologies	Code 39, Code 128, BC412, Interleaved 2 of 5, UPC/EAN, Codabar, Code 93, Pharmacode, PLANET, Postnet, Japanese Post, Australian Post, Royal Mail, Intelligent Mail, KIX		
	2D Symbologies	Data Matrix (ECC 0-200), QR Code, Micro QR Code, Aztec Code, DotCode		
	Stacked Symbologies	PDF417, MicroPDF417, GS1 Databar (Composite and Stacked)		
Reading Performance *2	Number of Reading Digits	No Upper Limit (depending on bar width and reading distance)		
	Aiming Light	Two Blue LEDs		
	Illumination	Inner LEDs: Four White and Four Red (Wavelength: 625 nm)		
		Outer LEDs:	8 Red or White	8 Red or White
	Reading Distance / Field of View	Refer to <i>Read Ranges</i> section for detail.		
	Pitch Angle (α) *3	±30°		
	Skew Angle (β) *3	±30°		
Tilt Angle (γ) *3	±180°			
Image Capture	Focus	Liquid Lens Autofocus or Fixed Focus (Wide = 5.2 mm, Medium = 7.7 mm, Narrow = 16 mm, L = 16 mm)		
	Resolution	752 (H) x 480 (V)	1280 (H) x 960 (V)	2592 (H) x 1944 (V)
	Color / Monochrome	Monochrome CMOS	Monochrome CMOS	Color CMOS
	Shutter	Global Shutter	Shutter Global Shutter	Rolling Shutter
	Frames per Second	60 fps	42 fps	5 fps
	Exposure	50 to 100,000 μs		
Image Logging	FTP			
Trigger	External Trigger (Edge or Level), Communication Trigger (Ethernet, RS-232C)			
I/O Specifications	Input Signals	Trigger Input: 5-28 V rated (0.16 mA @ 5V DC); New Master: 5 to 28 V rated (0.16 mA @ 5VDC); Default: 3.3 V rated (0 mA @ 3.3 V)		
	Output Signals	3 Signals : 5 V TTL-compatible, can sink 10 mA and source 10 mA		
Communication	Connectivity	RS-232C, USB 2.0 High Speed, Ethernet over USB/HID		
	Ethernet Specifications	100BASE-TX / 10BASE-T		
Indicator LEDs	PASS (Green), TRIG (Amber), MODE (Amber), LINK (Amber), FAIL (Red), PWR (Green)			
Power Supply Voltage	5 VDC +/- 5%			
Current Consumption	650 mA at 5 VDC (max.)			
Environmental Immunity*4	Ambient Temperature Range	Operating: 0 to 45° C Storage: -50 to 75°C (No Icing or Condensation)		
	Ambient Humidity Range	Operating and storage: 5% to 95% (Non-Condensing)		
	Ambient Atmosphere	No Corrosive Gases		
	Vibration Resistance (Destructive)	Sine Vibration: 10 Hz to 55 Hz, 0.35 mm displacement, 20 cycles/axis. Random Vibration: 20 Hz to 2000 Hz, 6.295 Grms, 30 min/axis		
	Shock Resistance (Destructive)	50G, 11 ms, sawtooth profile. 3X in each X, Y, Z axis		
	Degree of Protection	IEC 60529 IP54		
Weight	Main Body Only	120 g		
	Packaging Weight	Approx. 230 g (including packing)		
Dimensions	Main Body Dimensions	44.5 (W) × 38.1 (D) × 25.4 (H) mm		
	Packaging Dimensions	170 (W) × 117 (D) × 86 (H) mm		
Accessories	ReadMeFirst, CE Compliance Sheet			
LED Safety Standard	IEC 62471-1: 2006 Risk-Exempt Group			
Safety Standards	EN 55024:2010, EN 55032:2015 + AC:2016 FCC Part 15, Subpart B (Class B) UL60950-1 BIS, RCM, KC EAC and BSMI Pending			
Materials	Case	Aluminum Diecast, Alumite (Black)		
	Reading Window	Acrylic		
Software	WebLink			

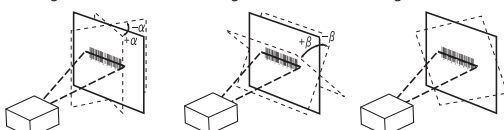
*1. These symbologies are supported based on Omron's read capability validation standard. Omron recommends that validation be performed for each application.

*2. Unless otherwise specified, reading performance is defined with center of field of view, angle R=∞.

*3. Pitch angle

Skew angle

Tilt angle



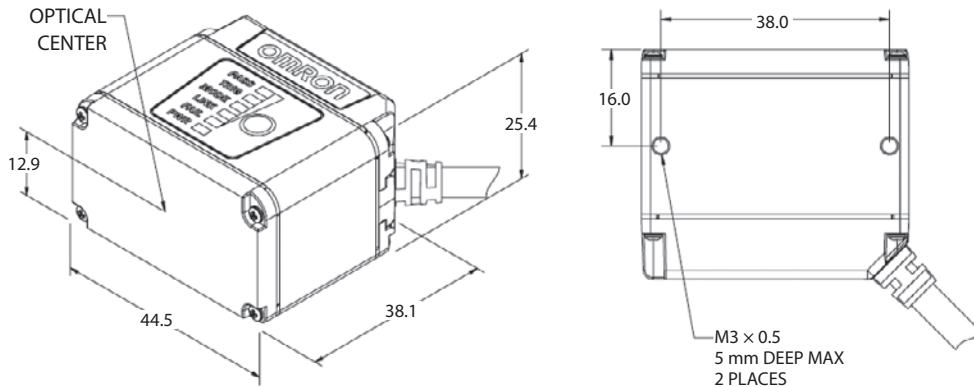
*4. In an electrically noisy environment, use only the V430-F in combination with a noise filter cable (V430-W□F-□M) to ensure proper operation.

Multi Code Reader
Laser Barcode Reader
Handheld Code Reader
Code Verification System

Auto Focus Multi Code Reader MicroHAWK V420-F series

Dimensions

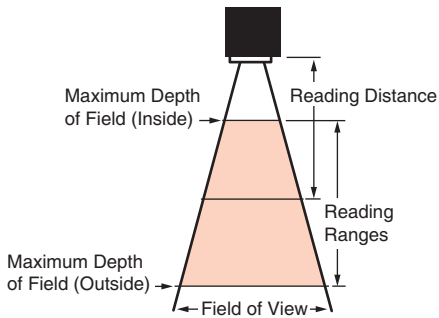
(Unit: mm)



Multi Code Reader

Read Ranges

Read range specifications are subject to change.



Laser Barcode Reader

Fixed Focus Field of View (mm) - Wide Lens

Distance (mm)	0.3 MP		1.2 MP		5 MP	
	Width	Height	Width	Height	Width	Height
50	49	32	53	39	50	38
64	62	39	66	49	63	47
81	76	49	81	61	78	58
102	95	60	101	75	96	72
133	121	78	129	97	124	92
190	171	109	182	136	174	130
300	266	170	283	213	271	202
400	353	225	376	282	359	268

Handheld Code Reader

Fixed Focus Field of View (mm) - Medium Lens

Distance (mm)	0.3 MP		1.2 MP		5 MP	
	Width	Height	Width	Height	Width	Height
50	34	22	36	27	35	26
64	43	27	45	34	43	32
81	53	34	56	42	54	40
102	66	42	70	52	67	50
133	84	54	90	67	86	64
190	119	76	126	95	121	90
300	185	118	196	147	188	140
400	245	156	260	195	249	186

Code Verification System

Auto Focus Multi Code Reader MicroHAWK V420-F series

Read Ranges

Fixed Focus Field of View (mm) - Narrow Lens

Distance (mm)	0.3 MP		1.2 MP		5 MP	
	Width	Height	Width	Height	Width	Height
50	15	10	16	12	16	12
64	19	12	21	15	20	15
81	24	15	25	19	24	18
102	30	19	32	24	30	22
133	38	24	40	30	39	29
190	54	34	57	43	54	41
300	83	53	89	67	85	63
400	111	71	118	88	113	84

Autofocus Field of View (mm) - Wide Lens

Distance (mm)	0.3 MP		1.2 MP		5 MP	
	Width	Height	Width	Height	Width	Height
50	51	33	55	41	52	39
100	97	62	103	77	98	73
150	142	90	151	113	144	107
200	187	119	199	149	190	142
250	232	148	247	185	236	176
300	277	177	295	221	282	210

Autofocus Field of View (mm) - Medium Lens

Distance (mm)	0.3 MP		1.2 MP		5 MP	
	Width	Height	Width	Height	Width	Height
50	33	21	36	27	34	25
100	63	40	67	50	64	48
150	92	59	98	73	94	70
200	121	77	129	97	123	92
250	151	96	160	120	153	114
300	180	115	191	144	183	136

Autofocus Field of View (mm) - Narrow Lens

Distance (mm)	0.3 MP		1.2 MP		5 MP	
	Width	Height	Width	Height	Width	Height
50	15	10	16	12	16	12
100	29	19	31	23	30	22
150	43	27	45	34	43	32

Auto Focus Multi Code Reader MicroHAWK V420-F series

Long Range Autofocus Field of View (mm)

Distance (mm)	0.3 MP		1.2 MP		5 MP	
	Width	Height	Width	Height	Width	Height
75	22	14	24	18	23	17
100	29	19	31	23	30	22
200	56	36	60	45	57	43
300	83	53	89	67	85	63
400	111	71	118	88	113	84
500	138	88	147	110	140	105
600	165	105	176	132	168	125
700	192	123	204	153	196	146
800	219	140	233	175	223	166
900	247	157	262	197	251	187
1000	274	175	291	218	279	208
1200	328	209	349	262	334	249
1300	355	227	378	283	362	270
1400	382	244	407	305	389	290
1500	410	261	436	327	417	311

Multi Code Reader

Laser Barcode Reader

Handheld Code Reader

Code Verification System

Related Manuals

Man.No.	Model	Manual
Z432	V320-F, V330-F, V420-F, V430-F	MicroHAWK V320-F / V330-F / V420-F / V430-F User Manual

Multicode Reader

MicroHAWK V330-F series

Compact Ethernet barcode reader.

- Simple configuration with WebLink.
- 5 megapixel sensor available.
- IP40.
- Single snap-in RJ45 connector and cable.
- Ethernet TCP/IP.
- Power over Ethernet.



Refer to the V330-F series datasheet (Cat. No. Q276) for details.

Ordering Information

Code Readers

Categories:

1. Fixed Focus Camera

- V330-F Monochrome and Color Fixed Focus Camera with Standard Lens
- V330-F Monochrome and Color Fixed Focus Camera with Narrow Lens

1a) V330-F Mono and Color Camera with Standard Lens: Valid Combinations

V330-F[XXX][Y][ZZZ]-NN[P]

Key	Classification	Code	Meaning
XXX	Focus Distance (mm)	050	Fixed Focus at 50 mm
		064	Fixed Focus at 64 mm
		081	Fixed Focus at 81 mm
		102	Fixed Focus at 102 mm
		133	Fixed Focus at 133 mm
		190	Fixed Focus at 190 mm
		300	Fixed Focus at 300 mm
Y	Lens	W	Wide Field of View - 5.2 mm Focal Length Lens
		M	Medium Field of View - 7.7 mm Focal Length Lens
ZZZ	Sensor	03M	752 x 480 (0.3 MP) Pixel, Mono Sensor, Global Shutter
		12M	1280 x 960 (1.2 MP) Pixel, Mono Sensor, Global Shutter
		50C	2592 x 1944 (5 MP) Pixel, Color Sensor, Rolling Shutter
P	Software License	P	High Speed, Plus Mode
		X	High Speed, X-Mode

Multicode Reader MicroHAWK V330-F series

1b) V330-F Mono and Color Camera with Narrow Lens: Valid Combinations

Note: 50 mm Fixed Focus option not available with Narrow Lens.

V330-F[XXX]N[ZZZ]-NN[P]

Key	Classification	Code	Meaning
XXX	Focus Distance (mm)	064	Fixed Focus at 64 mm
		081	Fixed Focus at 81 mm
		102	Fixed Focus at 102 mm
		133	Fixed Focus at 133 mm
		190	Fixed Focus at 190 mm
		300	Fixed Focus at 300 mm
ZZZ	Sensor	03M	752 x 480 (0.3 MP) Pixel, Mono Sensor, Global Shutter
		12M	1280 x 960 (1.2 MP) Pixel, Mono Sensor, Global Shutter
		50C	2592 x 1944 (5 MP) Pixel, Color Sensor, Rolling Shutter
P	Software License	P	High Speed, Plus Mode
		X	High Speed, X-Mode

Optics Options

Type	Model
Diffuser Kit – Peel and Stick Accessory. Exterior to unit.	V330-AF1
Polarizer Kit – Peel and Stick Accessory. Exterior to unit.	V330-AF2

Direct Wiring Options

Type	Length	Model
Power Over Ethernet (PoE) Single Port Injector	N/A	V330-AP1
Standard Ethernet Cables, In-Cabinet Use; Standard RJ45 Connectors on Both Ends; Green	1 Meter	XS6W-5PUR8SS100CM-G
	3 Meters	XS6W-5PUR8SS300CM-G
	5 Meters	XS6W-5PUR8SS500CM-G
	10 Meters	XS6W-5PUR8SS1000CM-G
	15 Meters	XS6W-5PUR8SS1500CM-G
Standard Ethernet Cables, Out-of-Cabinet Use; Rugged RJ45 Connectors on Both Ends; Light Blue	1 Meter	XS5W-T421-CMD-K
	3 Meters	XS5W-T421-EMD-K
	5 Meters	XS5W-T421-GMD-K
	10 Meters	XS5W-T421-JMD-K
	15 Meters	XS5W-T421-KMD-K
High Flex Ethernet Cables for Robot and Cable Tray Use; Rugged RJ45 Connectors on Both Ends; Light Blue	1 Meter	XS5W-T421-CMD-KR
	3 Meters	XS5W-T421-EMD-KR
	5 Meters	XS5W-T421-GMD-KR
	10 Meters	XS5W-T421-JMD-KR
	15 Meters	XS5W-T421-KMD-KR

Multicode Reader MicroHAWK V330-F series

Ratings and Specifications

V330-F		V330-F□□□□03M-□□□□	V330-F□□□□12M□□□□	V330-F□□□□50C-□□□□
Symbologies *1	1D Symbologies	Code 39, Code 128, BC412, Interleaved 2 of 5, UPC/EAN, Codabar, Code 93, Pharmacode, PLANET, Postnet, Japanese Post, Australian Post, Royal Mail, Intelligent Mail, KIX		
	2D Symbologies	Data Matrix (ECC 0-200), QR Code, Micro QR Code, Aztec Code, DotCode		
	Stacked Symbologies	PDF417, MicroPDF417, GS1 Databar (Composite and Stacked)		
Reading Performance *2	Number of Reading Digits	No Upper Limit (depending on bar width and reading distance)		
	Aiming Light	Two Blue LEDs		
	Illumination	Inner LEDs: Four White and Four Red (Wavelength: 625 nm)		
		Outer LEDs:	None	None
	Reading Distance / Field of View	Refer to <i>Read Ranges</i> section for detail.		
	Pitch Angle (α) *3	±30°		
	Skew Angle (β) *3	±30°		
Tilt Angle (γ) *3	±180°			
Image Capture	Focus	Fixed Focus (Wide = 5.2 mm, Medium = 7.7 mm, Narrow = 16 mm)		
	Resolution	752 (H) x 480 (V)	1280 (H) x 960 (V)	2592 (H) x 1944 (V)
	Color / Monochrome	Monochrome CMOS	Monochrome CMOS	Color CMOS
	Shutter	Global Shutter	Global Shutter	Rolling Shutter
	Frames per Second	60 fps	42 fps	5 fps
	Exposure	50 to 100,000 μs		
Image Logging		FTP		
Trigger		Communication Trigger (Ethernet)		
I/O Specifications	Input Signals	Ethernet		
	Output Signals	Ethernet		
Communication	Connectivity	Ethernet TCP/IP		
	Ethernet Specifications	100BASE-TX / 10BASE-T		
Indicator LEDs		PASS (Green), PWR (Green)		
Power Supply Voltage		Source: 44-57 VDC IEEE802.3af POE		
Current Consumption		Max Current: 0.10A		
Environmental Immunity*4	Ambient Temperature Range	Operating: 0 to 40° C Storage: -50 to 75° C (No Icing or Condensation)		
	Ambient Humidity Range	Operating and Storage: 5% to 95% (Non-Condensing)		
	Ambient Atmosphere	No Corrosive Gases		
	Vibration Resistance (Destructive)	Oscillation Frequency: 10 to 150Hz, Half Amplitude: 0.35 mm, Vibration Direction: X/Y/Z, Sweep Time: 8 minute/count, Sweep Count: 10 times		
	Shock Resistance (Destructive)	Impact Force: 150 m/s ² , Test Direction: 6 directions, three times each (up/down, front/back, left/right)		
	Degree of Protection	IEC 60529 IP40		
Weight	Main Body Only	72 g		
	Packaging Weight	Approx. 180 g (including packing)		
Dimensions	Main Body Dimensions	40 (W) x 63 (D) x 24 (H) mm		
	Packaging Dimensions	170 (W) x 117 (D) x 86 (H) mm		
Accessories		ReadMeFirst, CE Compliance Sheet		
LED Safety Standard		IEC 62471-1: 2006 Risk-Exempt Group		
Safety Standards		EN 55024:2010, EN 55032:2015 + AC:2016 FCC Part 15, Subpart B (Class B) UL60950-1 BIS RCM, KC, EAC and BSMI Pending		
Materials	Case	Aluminum Diecast, Alumite (Black)		
	Reading Window	Acrylic		
Software		WebLink		

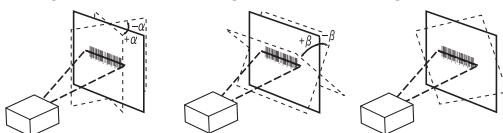
*1. These symbologies are supported based on Omron's read capability validation standard. Omron recommends that validation be performed for each application.

*2. Unless otherwise specified, reading performance is defined with center of field of view, angle R=∞.

*3. Pitch angle

Skew angle

Tilt angle



*4. In an electrically noisy environment, use only the V430-F in combination with a noise filter cable (V430-W□F-□M) to ensure proper operation.

Multi Code Reader

Laser Barcode Reader

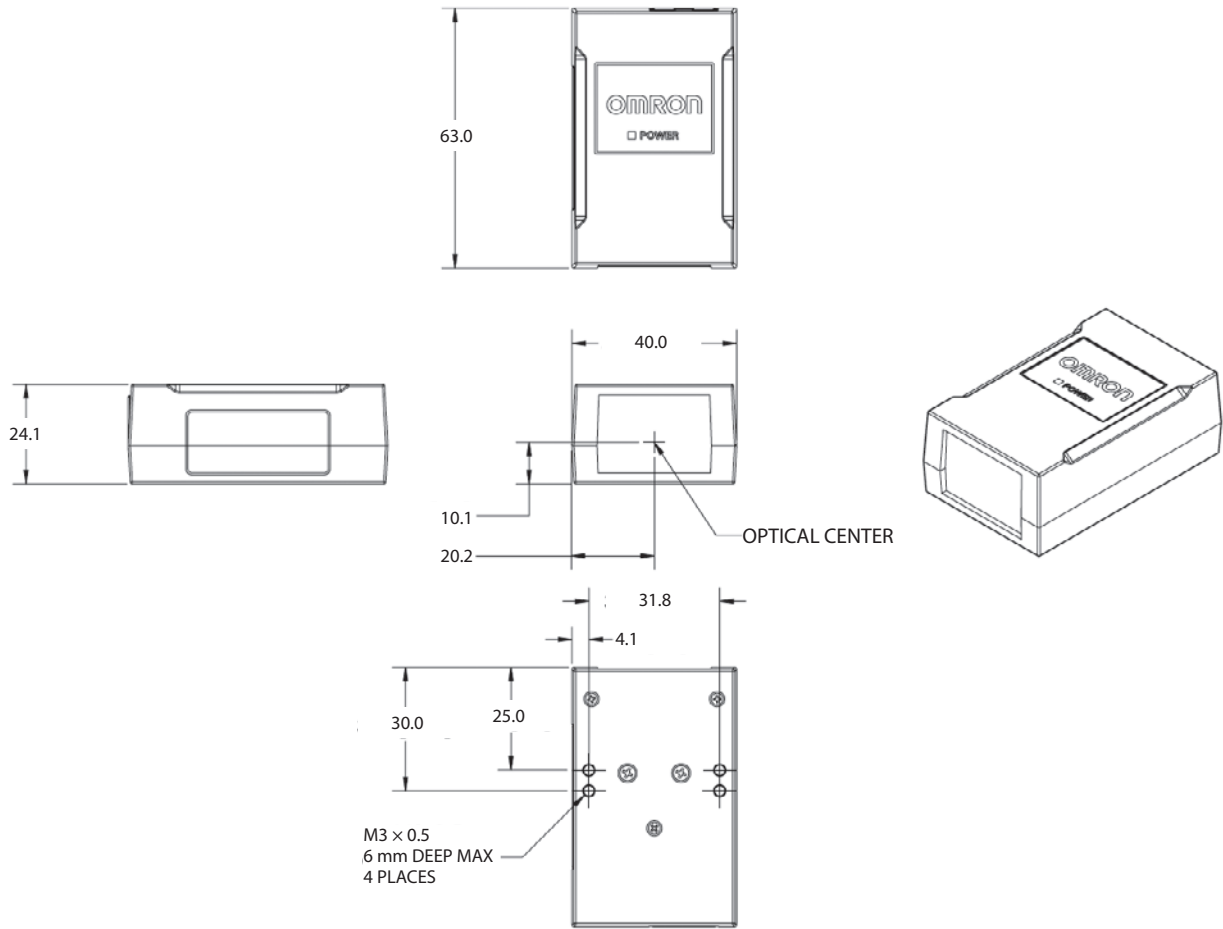
Handheld Code Reader

Code Verification System

Multicode Reader MicroHAWK V330-F series

Dimensions

(Unit: mm)



Multi Code Reader

Laser Barcode Reader

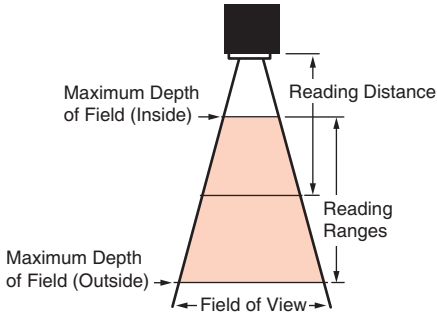
Handheld Code Reader

Code Verification System

Multicode Reader MicroHAWK V330-F series

Read Ranges

Read range specifications are subject to change.



Fixed Focus Field of View (mm) - Wide Lens

Distance (mm)	0.3 MP		1.2 MP		5 MP	
	Width	Height	Width	Height	Width	Height
50	49	32	53	39	50	38
64	62	39	66	49	63	47
81	76	49	81	61	78	58
102	95	60	101	75	96	72
133	121	78	129	97	124	92
190	171	109	182	136	174	130
300	266	170	283	213	271	202
400	353	225	376	282	359	268

Fixed Focus Field of View (mm) - Medium Lens

Distance (mm)	0.3 MP		1.2 MP		5 MP	
	Width	Height	Width	Height	Width	Height
50	34	22	36	27	35	26
64	43	27	45	34	43	32
81	53	34	56	42	54	40
102	66	42	70	52	67	50
133	84	54	90	67	86	64
190	119	76	126	95	121	90
300	185	118	196	147	188	140
400	245	156	260	195	249	186

Fixed Focus Field of View (mm) - Narrow Lens

Distance (mm)	0.3 MP		1.2 MP		5 MP	
	Width	Height	Width	Height	Width	Height
50	15	10	16	12	16	12
64	19	12	21	15	20	15
81	24	15	25	19	24	18
102	30	19	32	24	30	22
133	38	24	40	30	39	29
190	54	34	57	43	54	41
300	83	53	89	67	85	63
400	111	71	118	88	113	84

Related Manuals

Man.No.	Model	Manual
Z432	V320-F, V330-F, V420-F, V430-F	MicroHAWK V320-F / V330-F / V420-F / V430-F User Manual

Multi Code Reader

Laser Barcode Reader

Handheld Code Reader

Code Verification System

Multicode Reader

MicroHAWK V320-F series

Compact Ethernet barcode reader.

- Simple configuration with WebLink.
- 5 megapixel sensor available.
- IP40.
- Single snap-in RJ50 connector and cable.
- RS-232, Ethernet via USB.



Refer to the V320-F series datasheet (Cat. No. Q277) for details.

Ordering Information

Code Readers

Categories:

1. Fixed Focus Camera

- a) V320 Monochrome and Color Fixed Focus Camera with Standard Lens
- b) V320 Monochrome and Color Fixed Focus Camera with Narrow Lens

1a) V320 Mono and Color Camera with Standard Lens: Valid Combinations

V320-F[XXX][Y][ZZZ]-NN[P]

Key	Classification	Code	Meaning
XXX	Focus Distance (mm)	050	Fixed Focus at 50 mm
		064	Fixed Focus at 64 mm
		081	Fixed Focus at 81 mm
		102	Fixed Focus at 102 mm
		133	Fixed Focus at 133 mm
		190	Fixed Focus at 190 mm
		300	Fixed Focus at 300 mm
Y	Lens	W	Wide Field of View - 5.2 mm Focal Length Lens
		M	Medium Field of View - 7.7 mm Focal Length Lens
ZZZ	Sensor	03M	752 x 480 (0.3 MP) Pixel, Mono Sensor, Global Shutter
		12M	1280 x 960 (1.2 MP) Pixel, Mono Sensor, Global Shutter
		50C	2592 x 1944 (5 MP) Pixel, Color Sensor, Rolling Shutter
P	Software License	P	High Speed, Plus Mode
		X	High Speed, X-Mode

Multicode Reader MicroHAWK V320-F series

1b) V320 Mono and Color Camera with Narrow Lens: Valid Combinations

Note: 50 mm Fixed Focus option is not available with Narrow Lens.






V320-F[XXX]N[ZZZ]-NN[P]

Key	Classification	Code	Meaning
XXX	Focus Distance (mm)	064	Fixed Focus at 64 mm
		081	Fixed Focus at 81 mm
		102	Fixed Focus at 102 mm
		133	Fixed Focus at 133 mm
		190	Fixed Focus at 190 mm
		300	Fixed Focus at 300 mm
ZZZ	Sensor	03M	752 x 480 (0.3 MP) Pixel, Mono Sensor, Global Shutter
		12M	1280 x 960 (1.2 MP) Pixel, Mono Sensor, Global Shutter
		50C	2592 x 1944 (5 MP) Pixel, Color Sensor, Rolling Shutter
P	Software License	P	High Speed, Plus Mode
		X	High Speed, X-Mode

Optics Options

Type	Model
Diffuser Kit – Peel and Stick Accessory. Exterior to unit.	V330-AF1
Polarizer Kit – Peel and Stick Accessory. Exterior to unit.	V330-AF2

Direct Wiring Options

Appearance	Type	Length	Model
	RJ50 to RS-232 and External Power Straight	2 Meters	V320-WRX-2M
	RJ50 to RS-232 and External Power Right Angle	2 Meters	V320-WRXLR-2M
	Power Supply for V320-WRX-2M and V320-WRXLR-2M	2 Meters	97-9000006-01
	RJ50 to Flying Leads Straight	3 Meters	V320-W8-3M
	RJ50 to Flying Leads Right Angle to the Right *	3 Meters	V320-W8LR-3M

* Right angle cables.

Right angle to the right



Multicode Reader MicroHAWK V320-F series

Wiring Options

Appearance	Category	Length / Spec	Model
	Adapter V/F320-F to all V420-F Cable Accessories RJ50 to DB-15	1 Meter	V320-WR-1M
	Adapter V/F320-F to all V420-F Cable Accessories Right Angle to the Right* RJ50 to DB-15	1 Meter	V320-WRLR-1M
	USB Breakout Cable	1 Meter	V420-WUB-1M
	Cable - USB Breakout With External Power Input	1 Meter	V420-WUX-1M
	Power Supply	2 Meters	97-9000006-01
	Kit - Cable and Power Supply	-	V420-AC1
	Cable - RS-232 Breakout (DB-15) and External Power Input	1 Meter	V420-WRX-1M
	Power Supply	2 Meters	97-9000006-01
	Kit - Cable and Power Supply	-	V420-AC0
	Cable - USB, IO, and Power Breakout	1 Meter	V420-WU8X-1M
	Power Supply	2 Meters	97-000011-02
	Kit - Cable and Power Supply	-	V420-AC2
	Cable - RS-232, USB, IO, and Power Breakout	1 Meter	V420-WRU8X-1M
	Power Supply	2 Meters	97-000011-02

* Right angle cables.

Right angle to the right



Multi Code Reader

Laser Barcode Reader

Handheld Code Reader

Code Verification System

Multicode Reader MicroHAWK V320-F series

Ratings and Specifications

V320-F		V320-F□□□□03M-□□□□	V320-F□□□□12M□□□□	V320-F□□□□50C-□□□□	
Symbologies *1	1D Symbologies	Code 39, Code 128, BC412, Interleaved 2 of 5, UPC/EAN, Codabar, Code 93, Pharmacode, PLANET, Postnet, Japanese Post, Australian Post, Royal Mail, Intelligent Mail, KIX			
	2D Symbologies	Data Matrix (ECC 0-200), QR Code, Micro QR Code, Aztec Code, DotCode			
	Stacked Symbologies	PDF417, MicroPDF417, GS1 Databar (Composite and Stacked)			
Reading Performance *2	Number of Reading Digits	No Upper Limit (depending on bar width and reading distance)			
	Aiming Light	Two Blue LEDs			
	Illumination	Inner LEDs: Four White and Four Red (Wavelength: 625 nm)			
		Outer LEDs:	None	None	None
		None	None	None	
	Reading Distance / Field of View	Refer to <i>Read Ranges</i> section for detail.			
	Pitch Angle (α) *3	±30°			
Skew Angle (β) *3	±30°				
Tilt Angle (γ) *3	±180°				
Image Capture	Focus	Fixed Focus (Wide = 5.2 mm, Medium = 7.7 mm, Narrow = 16 mm)			
	Resolution	752 (H) x 480 (V)	1280 (H) x 960 (V)	2592 (H) x 1944 (V)	
	Color / Monochrome	Monochrome	CMOS Monochrome	CMOS Color CMOS	
	Shutter	Global Shutter	Global Shutter	Rolling Shutter	
	Frames per Second	60 fps	42 fps	5 fps	
	Exposure	50 to 100,000 μs			
Image Logging	FTP				
Trigger	External Trigger (Edge or Level), Communication Trigger (Ethernet, RS-232C)				
I/O Specifications	Input Signals	Trigger Input: 5-28 V rated (0.16 mA @ 5 VDC); Default: 3.3 V rated (0 mA @ 3.3 V)			
	Output Signals	One Signal (Strobe): 5 V TTL-compatible, can sink 10 mA and source 10 mA			
Communication	Connectivity	USB 2.0 Full-Speed (Ethernet over USB and HID), RS-232			
	Ethernet Specifications	100BASE-TX / 10BASE-T			
Indicator LEDs	PASS (Green), PWR (Green)				
Power Supply Voltage	5 VDC +/- 5%				
Current Consumption	450 mA at 5 VDC (max.)				
Environmental Immunity*4	Ambient Temperature Range	Operating: 0 to 40° C Storage: -50 to 75° C (No Icing or Condensation)			
	Ambient Humidity Range	Operating and Storage: 5% to 95% (Non-Condensing)			
	Ambient Atmosphere	No Corrosive Gases			
	Vibration Resistance (Destructive)	Oscillation Frequency: 10 to 150 Hz, Half Amplitude: 0.35 mm, Vibration Direction: X/Y/Z, Sweep Time: 8 minute/count, Sweep Count: 10 times			
	Shock Resistance (Destructive)	Impact Force: 150 m/s ² , Test Direction: 6 directions, three times each (up/down, front/back, left/right)			
	Degree of Protection	IEC 60529 IP40			
Weight	Main Body Only	59 g			
	Packaging Weight	Approx. 166 g (including packing)			
Dimensions	Main Body Dimensions	52 (W) x 39 (D) x 24 (H) mm			
	Packaging Dimensions	170 (W) x 117 (D) x 86 (H) mm			
Accessories	ReadMeFirst, CE Compliance Sheet				
LED Safety Standard	IEC 62471-1: 2006 Risk-Exempt Group				
Safety Standards	EN 55024:2010, EN 55032:2015 + AC:2016 FCC Part 15, Subpart B (Class B) UL60950-1 BIS RCM, KC, EAC and BSMI Pending				
Materials	Case	Aluminum Diecast, Alumite (Black)			
	Reading Window	Acrylic			
Software	WebLink				

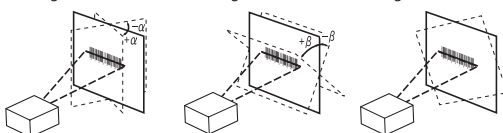
*1. These symbologies are supported based on Omron's read capability validation standard. Omron recommends that validation be performed for each application.

*2. Unless otherwise specified, reading performance is defined with center of field of view, angle R=∞.

*3. Pitch angle

Skew angle

Tilt angle



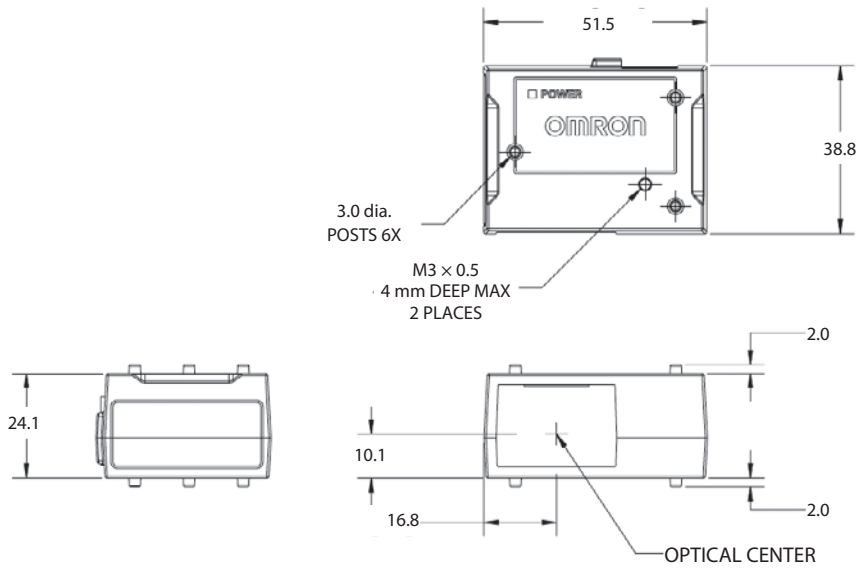
*4. In an electrically noisy environment, use only the V430-F in combination with a noise filter cable (V430-W□F-□M) to ensure proper operation.

Multicode Reader MicroHAWK V320-F series

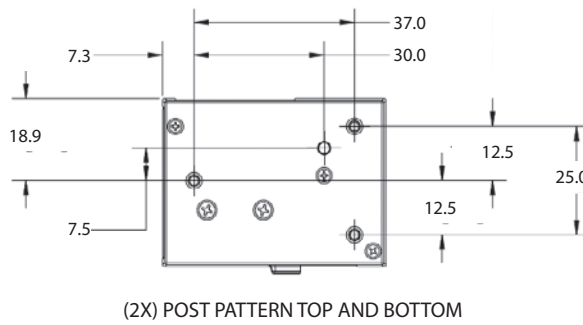
Dimensions

(Unit: mm)

Multi Code Reader



Laser Barcode Reader



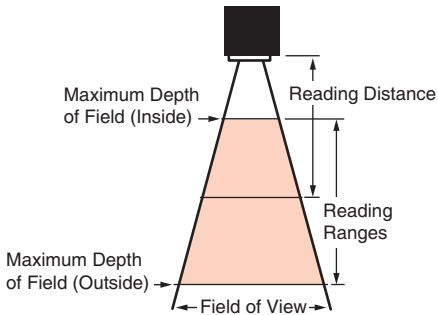
Handheld Code Reader

Code Verification System

Multicode Reader MicroHAWK V320-F series

Read Ranges

Read range specifications are subject to change.



Fixed Focus Field of View (mm) - Wide Lens

Distance (mm)	0.3 MP		1.2 MP		5 MP	
	Width	Height	Width	Height	Width	Height
50	49	32	53	39	50	38
64	62	39	66	49	63	47
81	76	49	81	61	78	58
102	95	60	101	75	96	72
133	121	78	129	97	124	92
190	171	109	182	136	174	130
300	266	170	283	213	271	202
400	353	225	376	282	359	268

Fixed Focus Field of View (mm) - Medium Lens

Distance (mm)	0.3 MP		1.2 MP		5 MP	
	Width	Height	Width	Height	Width	Height
50	34	22	36	27	35	26
64	43	27	45	34	43	32
81	53	34	56	42	54	40
102	66	42	70	52	67	50
133	84	54	90	67	86	64
190	119	76	126	95	121	90
300	185	118	196	147	188	140
400	245	156	260	195	249	186

Fixed Focus Field of View (mm) - Narrow Lens

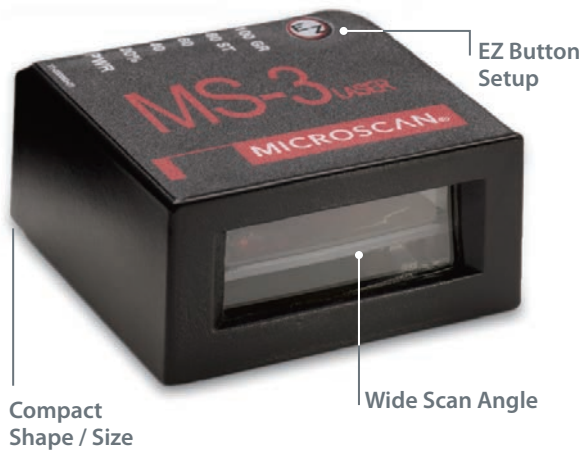
Distance (mm)	0.3 MP		1.2 MP		5 MP	
	Width	Height	Width	Height	Width	Height
50	15	10	16	12	16	12
64	19	12	21	15	20	15
81	24	15	25	19	24	18
102	30	19	32	24	30	22
133	38	24	40	30	39	29
190	54	34	57	43	54	41
300	83	53	89	67	85	63
400	111	71	118	88	113	84

Related Manuals

Man.No.	Model	Manual
Z432	V320-F, V330-F, V420-F, V430-F	MicroHAWK V320-F / V330-F / V420-F / V430-F User Manual

Multi Code Reader
Laser Barcode Reader
Handheld Code Reader
Code Verification System

Laser Barcode Reader

MS-3 series**Ultra-Compact
Laser Barcode Reader**

Compact
Shape / Size

Wide Scan Angle

The MS-3 laser barcode reader offers the fastest read performance* in embedded compact bar code readers. The wide scan angle of 70 degrees is coupled with ultra-compact size and flexible mounting.

High performance and flexibility make the MS-3 the optimal choice for reliable reading in embedded instruments.

*Based on Omron investigation in march 2018.

MS-3: At a Glance

- Decodes / second: up to 1000
- Read Range: 51 to 254 mm
- Wide Scan Angle
- IP54 Enclosure



ESP® Easy Setup Program: Single-point software provides quick and easy setup and configuration of all OMRON Microscan readers.



EZ Button: This performs reader setup and configuration with no computer required.

Compact & Lightweight

44.5 mm square by 21.6 mm tall code reader weighs only 57 g for easy mounting onto robotic equipment or into tight spaces.

High Scan Speed

Adjustable scan speed from 300 up to 1000 decodes per second and OMRON Microscan's world-class decode algorithms ensure accurate reading every time.

Wide Scan Angle

The wide scan angle of over 70 degrees and a factory customizable focal point add up to space savings within your system, allowing greater flexibility with positioning.

Visible Indicators

Illuminated LEDs on top of the code reader provide visual confirmation of the code reader performance.

Real-time Controls

The inputs include a trigger signal, a "new master" input, and a programmable input for resetting counters or releasing outputs. The outputs can be configured to activate upon a variety of conditions including matchcode and diagnostic operations.

Application Examples

- Clinical instruments
- Bank ATMs
- Parking kiosks
- Point-of-sale terminals
- Robotics

MS-3: Available Codes

Linear



Please see the Ratings and Specifications for a complete list of supported symbologies.

Laser Barcode Reader MS-3 series

Ordering Information

Laser Barcode Readers

Scan mode	Read range	Installation type	Model
Single Line	Low Density	Standard	FIS-0003-0001G
	High Density		FIS-0003-0002G
Raster Line	Low Density	Standard	FIS-0003-0003G
	High Density		FIS-0003-0004G
Single Line	Low Density	Right Angle	FIS-0003-0005G
Raster Line	Low Density	Right Angle	FIS-0003-0007G

Accessories

Type	Model
MS-Connect 210, Connectivity Box with Display	FIS-0210-0001G
Relay Module, 120 VAC, 3 Amp Output, Series 70, Type SM, for MS-Connect 210	98-000013-04
Relay Module, 240 VAC, 3 Amp Output, Series 70, Type SM, for MS-Connect 210	98-000013-05
Relay Module, 24 VDC, 3 Amp Output, Series 70, Type SM, for MS-Connect 210	98-000013-06
Cable, MS-3 to MS-Connect 210, 1.8 m (6 feet)	61-000127-02
IB-3PC Keyboard Wedge / Interface Box	FIS-0001-0030G
IC-3USB Interface Kit, USB to Serial 15-pin	98-000051-01
Converter, IC-332, 24 V / 5 V, Opto I / O for use with IB-131	FIS-0001-0035G
IB-131 Interface Box	99-000018-01
Communication Cable, DB-25 Plug to DB-9 Socket, 1.8 m (6 feet)	61-300026-03
Communication Cable, DB-9 Socket to DB-9 Socket, 1.8 m (6 feet)	61-000010-02
IB-131 Daisy Chain Cable	61-100029-03
Photoelectric Sensor, M12, 4-pin Plug, NPN output, Cable length 2m	99-9000016-01

Power Supplies

Type	Model
Power Supply, 100-240 VAC, +5 VDC, 5-pin Plug, U.S. / Euro Plug	97-000011-01
Power Supply, 100-240 VAC, +5 VDC, 2-pin Plug, U.S. / Euro Plug	97-000011-02
Power Supply, 100-240 VAC, +24 VDC, TRK 3-pin, U.S. / Euro Plug	97-000012-02

Note: Do not use the power supplies or power supply cords indicated in this catalog with any other electric or electronic equipment.
When using the MS-3 Series, please use the power supply and power supply cord indicated in this catalog.

Mounting and Connectors

Type	Model
Mounting Arm / Adapter Kit for MS-3, 101 mm (4 inches)	98-000048-01
Mounting Stand Base Plate Kit	98-000054-01
Mounting Arm Extension Kit for MS-3, 101 mm (4 inches)	98-000053-01
Mounting Arm Extension Kit for MS-3, 76 mm (3 inches)	98-000053-02
Side Mount Bracket for MS-3	98-000060-01
Angle Mount Bracket for MS-3	98-000059-01
Through-Hole Mount Bracket for MS-3	98-000057-02
Extended Right Angle Mirror for MS-3	98-000058-02
Trigger Connector, 4-pin Plug (screw terminal and field wireable for custom wiring into IB-131)	20-610024-01

Laser Barcode Reader MS-3 series

Ratings and Specifications

Applicable codes		Code 39, Code 128, Interleaved 2 of 5, Codabar, Code 93, UPC / EAN, Pharmacode
Reading performance	Scan mode	Single line, fixed raster
	Scan rate	Adjustable from 300 to 1,000 scans / s, default=500
	Scan width angle	>70°
	Pitch	±50°
	Skew	±40°
	Label contrast	25% min. at 650 nm
Communications	Interface	RS-232, RS-422 / 485, USB
	Protocols	Point-to-Point, Point-to-Point w / RTS / CTS, Point-to-Point w / XON / XOFF, Point-to-Point w / RTS / CTS & XON / XOFF, Polling Mode D, Multidrop, User Defined, User Defined Multidrop, Daisy Chain
I / O specifications	Trigger input	3 to 24 V rated (1 mA at 5 VDC)
	New Master	3 to 24 V rated (1 mA at 5 VDC)
	Outputs (1, 2, 3)	5 V TTL compatible, can sink 10 mA and source 2 mA
	Beeper	Good read, Match/Mismatch, Noread
	On / Off LEDs	1 status, 1 power, 5 read performance (representing percentage of good decodes)
Power requirement		5 VDC±5%, 200 mV p-p max. ripple, 260 mA at 5 VDC (typ.)
Laser light	Type	Semiconductor visible laser diode (650 nm nominal)
	Safety class	IEC 60825-1 Class II, 1.0 mW max.
Environmental specifications	Ambient temperature range	Operating: 0 to 50°C, Storage: -40 to 75°C
	Ambient humidity range	Up to 90% (with no icing or condensation)
	Operating life	40,000 hours at 25°C
	Degree of protection	IP54 (category 2)
Weight	Standard	Approx. 106 g
	Right Angle	Approx. 136 g
Safety standards		FCC, UL/c UL, CE, KC, RCM, EAC, BIS

HOST CONNECTOR / PIN ASSIGNMENTS

High Density 15 Pin D-sub Socket Connector

Pin No.	Host RS-232	Host / Aux RS-232	Host RS-422 / 485	In / Out
1	Power +5 VDC			In
2	TxD	TxD	TxD(-)	Out
3	RxD	RxD	RxD(-)	In
4	Power / Signal Ground			
5	NC			
6	RTS	Aux TxD	TxD(+)	Out
7	Output 1 TTL ^a			Out
8	Default configuration ^b			In
9	Trigger			In
10	CTS	Aux RxD	RxD(+)	In
11	Output 3 TTL ^a			Out
12	New Master (NPN)			In
13	Chassis ground ^c			
14	Output 2 TTL ^a			Out
15	NC			

a. Can sink 10 mA and source 2 mA.

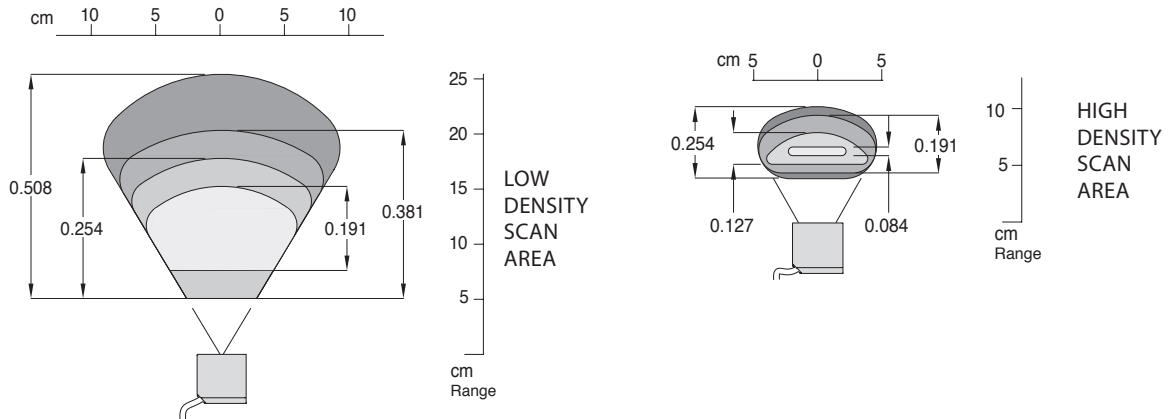
b. The default is activated by connecting pin 8 to ground pin 4.

c. Chassis ground: Used to connect chassis body to earth ground only. Not to be used as power or signal return.

Laser Barcode Reader MS-3 series

Read Ranges

(Unit: mm)



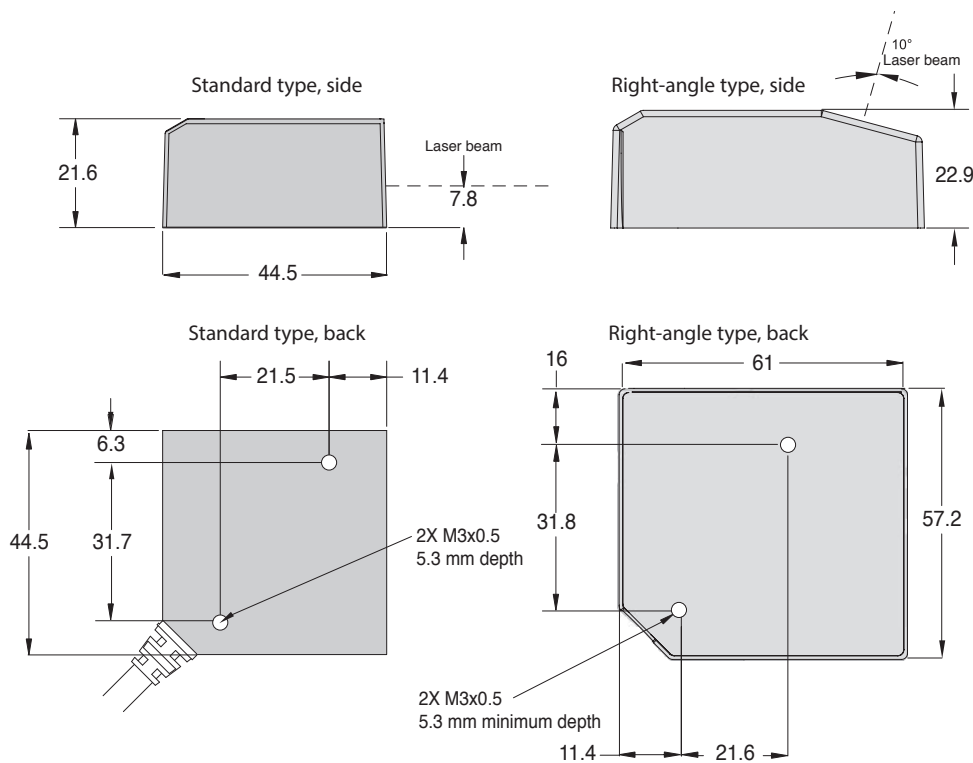
Narrow-bar-width	Read range
0.191 mm	76 to 152 mm
0.254 mm	51 to 178 mm
0.381 mm	51 to 203 mm
0.508 mm	51 to 254 mm

Narrow-bar-width	Read range
0.084 mm	Contact OMRON.
0.127 mm	51 to 79 mm
0.191 mm	43 to 94 mm
0.254 mm	38 to 102 mm

Note: For Right Angle option, subtract 15 mm from read range. Read ranges are based upon optimal scan speed for specific symbol density.

Dimensions

(Unit: mm)



Laser Label Indications

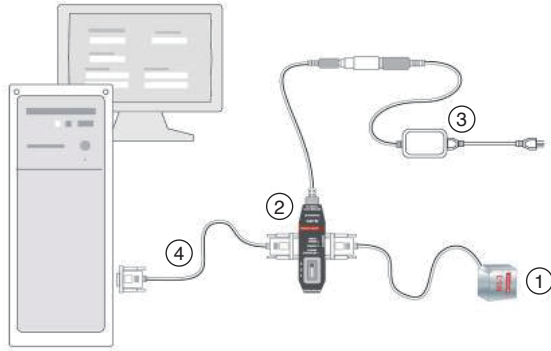
This warning label is attached to the laser barcode reader. Never remove this label or place objects in front of it.

Laser Barcode Reader MS-3 series

System Configurations

Stand Alone (5V)

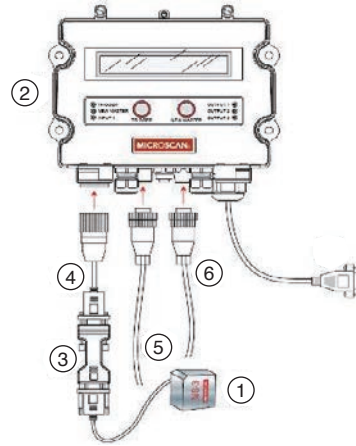
This is the basic setup for a single MS-3.



No.	Type	Model
1	MS-3 Laser Barcode Reader	FIS-0003-□□□□G
2	IB-3PC Keyboard Wedge / Interface Box	FIS-0001-0030G
3	Power Supply,100-240VAC,+5VDC, 5PIN, USA / EUR Plug	97-000011-01
4	Cable, Communication, DB-9 Socket-to-DB-9 Socket, 6 ft.	61-000010-02
-	Kit, Mounting Arm / Adapter, 4 in., for MS-3	98-000048-01
-	Kit, Mounting Stand Base Plate	98-000054-01

Stand Alone (10-28V)

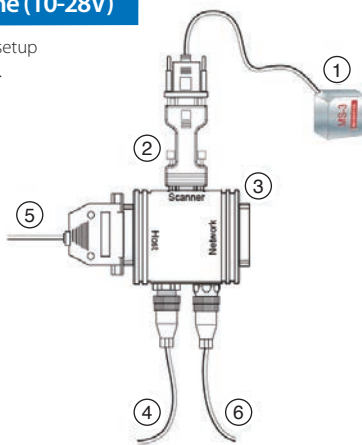
With MS-Connect 210
This is the basic setup for a single MS-3 and MS-Connect 210.



No.	Type	Model
1	MS-3 Laser Barcode Reader	FIS-0003-□□□□G
2	Connectivity Box A	FIS-0210-0001G
3	Converter, IC-332, 24V / 5V, Opto I / O, for Use with IB-131	FIS-0001-0035G
4	Cable, MS-3-to-MS-Connect 210, 6 ft.	61-000127-02
5	Power Supply (100-240 VAC, +24VDC, TRK 3Pin, USA/Euro Plug)	97-000012-02
6	Photoelectric Sensor, M12, 4-pin Plug, NPN output, Cable length 2m	99-9000016-01

Stand Alone (10-28V)

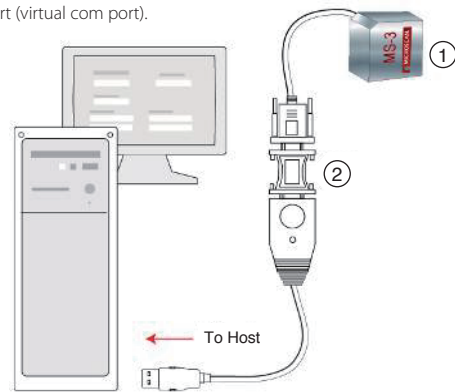
This is the basic setup for a single MS-3.



No.	Type	Model
1	MS-3 Laser Barcode Reader	FIS-0003-□□□□G
2	Converter, IC-332, 24V / 5V, Opto I / O, for Use with IB-131	FIS-0001-0035G
3	IB-131 Interface Box	99-000018-01
4	Power Supply (100-240 VAC, +24VDC, TRK 3Pin, USA / Euro Plug)	97-000012-02
5	Cable, Communication, DB-25 Plug-to-DB-9 Socket, 6 ft.	61-300026-03
6	Photoelectric Sensor, M12, 4-pin Plug, NPN output, Cable length 2m	99-9000016-01
-	Kit, Mounting Arm / Adapter, 4 in., for MS-3	98-000048-01
-	Kit, Mounting Stand Base Plate	98-000054-01

USB

Allows the code reader to be powered and communicate via a USB port (virtual com port).



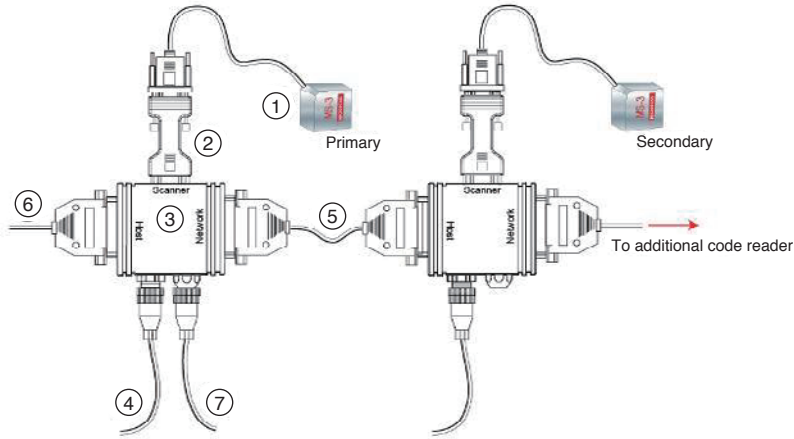
No.	Type	Model
1	MS-3 Laser Barcode Reader	FIS-0003-□□□□G
2	IC-3USB Interface Kit, USB-to-Serial, 15-Pin	98-000051-01
-	Kit, Mounting Arm / Adapter, 4 in., for MS-3	98-000048-01
-	Kit, Mounting Stand Base Plate	98-000054-01

Laser Barcode Reader MS-3 series

System Configurations

Daisy Chain

A primary code reader is linked directly to the host. Secondary code readers (up to 9) are linked in tandem. Data is sent from the primary code reader directly to the host.



No.	Type	Model
1	MS-3 Laser Barcode Reader	FIS-0003-□□□□G
2	Converter, IC-332, 24V / 5V, Opto I / O, for Use with IB-131	FIS-0001-0035G
3	IB-131 Interface Box	99-000018-01
4	Power Supply (100-240 VAC, +24VDC, TRK 3Pin, USA / Euro Plug)	97-000012-02
5	Cable, Daisy Chain, IB-131	61-100029-03
6	Cable, Communication, DB-25 Plug-to-DB-9 Socket, 6 ft.	61-300026-03
7	Photoelectric Sensor, M12, 4-pin Plug, NPN output, Cable length 2m.	99-9000016-01
-	Kit, Mounting Arm / Adapter, 4 in., for MS-3	98-000048-01
-	Kit, Mounting Stand Base Plate	98-000054-01

Laser Barcode Reader

QX-830 series

Compact Industrial Laser Barcode Reader



The QX-830 laser barcode reader combines flexible connectivity with high performance decoding capabilities to reliably read 1D barcodes in almost any automation environment. In addition to the Quick Connect System and X-Mode Technology, the QX-830 features IP54 industrial sealing and optional embedded Ethernet protocols.

High performance, simple connectivity, and the highest quality enclosure make the QX-830 an ideal laser barcode reader for any industrial application.

QX-830: At a Glance

- Scans / second: 300 to 1400
- Read Range: 25 to 762 mm
- Optional Embedded Ethernet TCP / IP & EtherNet / IP
- IP54 Enclosure



ESP®Easy Setup Program: Single-point software solution provides quick and easy setup and configuration of all OMRON Microscan readers.



EZ Button: This performs reader setup and configuration with no computer required.



Visible Indicators: Performance indicators include "good read" green flash and LEDs.



QX Platform: Quick Connect system and X-Mode technology combine to provide simple connectivity, networking, and high performance decoding.



Quick Connect System

- Plug and play setup
- Single or multi-code reader solutions

X-Mode Technology

- Decodes damaged, poorly printed, or misaligned codes
- Ensures high read rates and throughput

High Performance

Aggressive decoding capabilities allow reliable reading of barcodes out to 762 mm, at up to a 254 mm beam width.

Flexibility

The compact size of the QX-830 allows flexible positioning for a variety of applications.

Real-time Feedback

Visible LED indicators on the side of the code reader and a "good read" green flash projecting from the front window provide confirmation of the code reader's performance. The green flash is visible within a complete 360 degree radius from the code reader.

Application Examples

- Any industrial environment from light to heavy duty
- Conveyor lines
- Packaging and sortation
- Electronics production
- Embedded within machinery

QX-830: Available Codes

Linear



Stacked



PDF417



GS1 Databar



Please see the Ratings and Specifications for a complete list of supported symbologies.

Ethernet Protocols

The QX-830 includes optional embedded Ethernet TCP / IP and EtherNet / IP for high speed communication.

Laser Barcode Reader QX-830 series

Ordering Information

Laser Barcode Readers

Scan mode	Read range	Interface	Model
Single Line	Low Density	Serial *1	FIS-0830-0001G
	Middle Density		FIS-0830-0002G
	High Density		FIS-0830-0003G
Raster Line	Low Density	Serial *1	FIS-0830-0004G
	Middle Density		FIS-0830-0005G
	High Density		FIS-0830-0006G
	Low Density / Plastic Window		FIS-0830-0010G
Single Line	Low Density	Serial *2 and Ethernet	FIS-0830-1001G
	Middle Density		FIS-0830-1002G
	High Density		FIS-0830-1003G
Raster Line	Low Density	Serial *2 and Ethernet	FIS-0830-1004G
	Middle Density		FIS-0830-1005G
	High Density		FIS-0830-1006G
	Low Density / Plastic Window		FIS-0830-1010G

*1. Supports RS-232, RS-422, or RS-485.

*2. Supports RS-232.

Accessories

Type	Model
QX-1 Interface Device	98-000103-02
QX Cordset, Common, M12 12-pin Socket (Screw-On) to M12 12-pin Plug (Screw-On), 3 m	61-000148-02
QX Cordset, Common, M12 12-pin Socket (Screw-On) to M12 12-pin Plug (Screw-On), 1 m	61-000162-02
QX Cordset, Host, Serial, M12 12-pin Socket (Screw-On) to DB-9 Socket, 1 m	61-000153-02
QX Cordset, Host, Serial, M12 12-pin Socket (Screw-On) to DB-9 Socket, 3 m	61-000164-02
QX Cordset, Host, Serial, M12 12-pin Plug (Screw-On) to DB-9 Socket, 1 m	61-000152-02
QX Cordset, Host, Serial, M12 12-pin Plug (Screw-On) to DB-9 Socket, 3 m	61-000165-02
QX Cordset, Host, Ethernet, M12 8-pin Plug (Screw-On) to RJ45, 1 m	61-000160-03
QX Cordset, M12 12-pin Plug to M12 12-pin Socket to DB-25 Plug Turck Connectors	61-000172-02
QX Cordset, M12 12-pin Plug & M12 12-pin Socket to MS-Connect 210, RS-232, 2 m	61-000158-03
QX Cordset, M12 12-pin Plug (Screw-On) to Flying Leads, 3 m	61-000166-02
QX Cordset, M12 12-pin Plug & Socket to IB-131, RS-232, 2 m	61-000159-03
QX Cordset, M12 12-pin Socket to IB-131, RS-232/RS-485, 2 m	61-000159-04
Photoelectric Sensor, M12, 4-pin Plug, NPN output, Cable length 2m	99-9000016-01

Power Supplies

Type	Model
Power Supply, 100-240 VAC, +24 VDC, M12 12-pin Socket	97-000012-01
Power Supply, 100-240 VAC, +24 VDC, M12 12-Pin Plug	97-000012-04

Note: Do not use the power supplies or power supply cords indicated in this catalog with any other electric or electronic equipment.
When using the QX-830 Series, please use the power supply and power supply cord indicated in this catalog.

Mounting and Connectors

Type	Model
Mounting Plate Kit for QX-830 / QX-870	98-500006-01
Right Angle Mirror Kit for QX-830	98-200026-02
Mounting Arm/Adapter Kit for QX-830 / QX-870, 152 mm (6 inches)	98-000016-01
Mounting Arm Extension Kit for all code readers, 152 mm (6 inches)	98-000037-01
L-Bracket Kit for QX Series	98-000148-01
Mounting Stand Base Plate Kit	98-000054-01
Trigger Connector, 4-pin Plug (screw terminal and field wireable for custom wiring into IB-131)	20-610024-01

Laser Barcode Reader QX-830 series

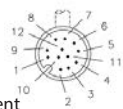
Ratings and Specifications

Applicable codes	Standard	Code 39, Codabar, Code 93, Interleaved 2 of 5, Code 128, PDF417, Micro PDF417, Pharmacode, UPC, GS1 Databar
	Application standards	UCC / EAN-128, AIAG
Reading performance	Mirror type	Rotating, 10-faceted
	Optional raster mirror image	10 raster scan lines over a 2° arc (or 0.500-inch raster height at 8-inch [203-mm] distance)
	Scan rate	Adjustable from 300 to 1,400 scans / s, default=500
	Scan width angle	60° (typ.)
	Pitch	±50° max.
	Skew	±40° max.
	Label contrast	25% min. absolute dark to light differential at 655 nm wavelength
Communications	Interface	RS-232 / 422 / 485 or Ethernet*
	Protocols	Point-to-Point, Point-to-Point w / RTS / CTS, Point-to-Point w / XON / XOFF, Point-to-Point w / RTS / CTS & XON / XOFF, Multidrop, Daisy Chain, User-Defined Multidrop, Ethernet TCP / IP, EtherNet / IP
I / O specifications	Input 1 / Trigger / New Master	Optoisolated, 4.5 to 28 V rated, (13 mA at 24 VDC) New Master is (-) to signal ground
	Outputs (1, 2 & 3)	Optoisolated, 1 to 28 V rated, (I _{CE} < 100 mA at 24 VDC, current limited by user)
Power requirement		10 to 28 VDC, 200 mW p-p max. ripple, 180 mA at 24 VDC (typ.)
Laser light	Type	Laser diode
	Output wavelength	655 nm nominal
	Beam divergence	0.4 mrad (typ.)
	Pulse time	40 to 186 μs
	Maximum output	1.75mW
	Safety class	Visible laser: IEC 60825-1 Class 2
Environmental specifications	Ambient temperature range	Operating: 0 to 50°C, Storage: -40 to 75°C
	Ambient humidity range	Up to 90% (with no icing or condensation)
	Degree of protection	IP54
	Operating life	50,000 hours at 25°C
Weight		Approx. 212 g
Dimensions		35 x 65.7 x 87.8 mm (H x D x W)
Safety standards		FCC, UL/c UL, CE, CB, KC, RCM, EAC, BIS
Material (Case)		Aluminum diecast

* Depends on model. See Ordering Information for details.

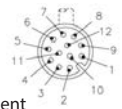
PIN ASSIGNMENTS

CONNECTOR A
M12 12-PIN PLUG



Pin Assignment
1 Trigger
2 Power
3 Default
4 New Master
5 Output 1
6 Output 3
7 Ground
8 Input Common
9 Host RxD
10 Host TxD
11 Output 2
12 Output Common

CONNECTOR B
M12 12-PIN SOCKET



Pin Assignment
1 Trigger
2 Power
3 Terminated
4 Input 1
5 422/485 TxD (+)
6 422/485 RxD (+)
7 Ground
8 Input Common
9 TxD / RTS
10 RxD / CTS
11 422 / 485 TxD (-)
12 422 / 485 RxD (-)

ETHERNET CONFIGURATION

CONNECTOR B
M12 8-PIN SOCKET



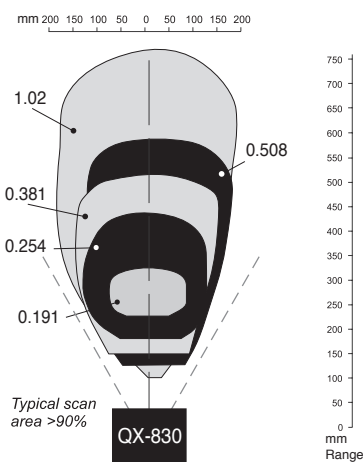
Pin Assignment
1 Terminated
2 Terminated
3 Terminated
4 TX (-)
5 RX (+)
6 TX (+)
7 Terminated
8 RX (-)

Laser Barcode Reader QX-830 series

Read Ranges*

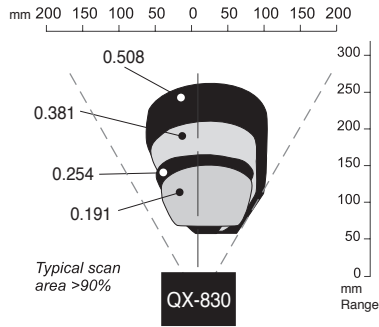
(Unit: mm)

Low Density Scan Area



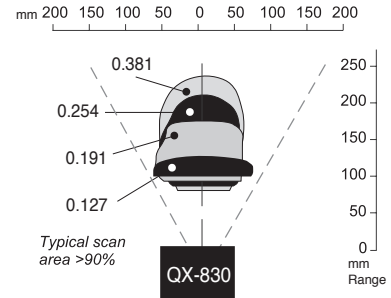
Narrow-bar-width	Read range
0.191 mm	254 to 305 mm
0.254 mm	178 to 406 mm
0.381 mm	152 to 483 mm
0.508 mm	127 to 559 mm
1.02 mm	102 to 762 mm

Medium Density Scan Area



Narrow-bar-width	Read range
0.191 mm	64 to 140 mm
0.254 mm	38 to 178 mm
0.381 mm	38 to 216 mm
0.508 mm	38 to 279 mm
0.762 mm	25 to 305 mm

High Density Scan Area

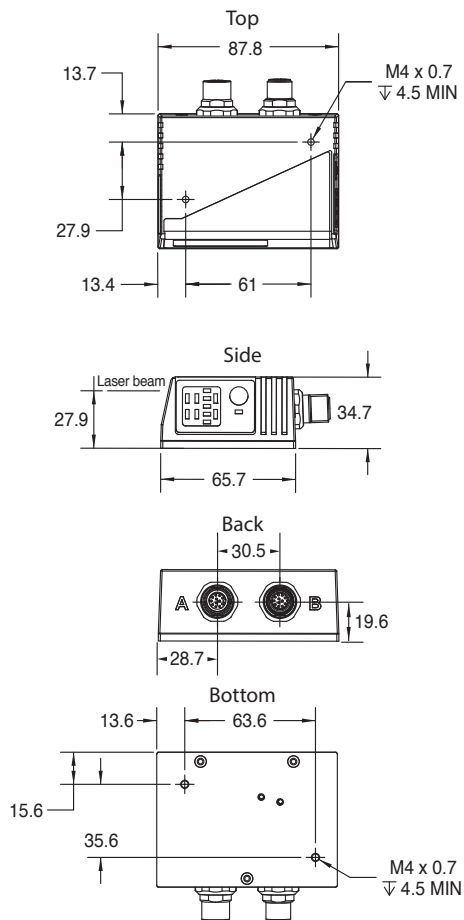


Narrow-bar-width	Read range
0.084 mm	Contact OMRON.
0.127 mm	102 to 127 mm
0.191 mm	89 to 171 mm
0.254 mm	82 to 203 mm
0.381 mm	82 to 229 mm

* Ranges based on a Grade A, Code 39 label, at 500 scans per second. Data subject to change.

Dimensions

(Unit: mm)



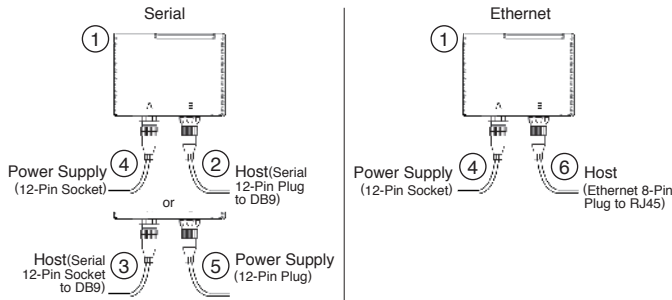
Laser Label Indications

This warning label is attached to the laser barcode reader. Never remove this label or place objects in front of it.

Laser Barcode Reader QX-830 series

System Configurations

Stand Alone Configurations

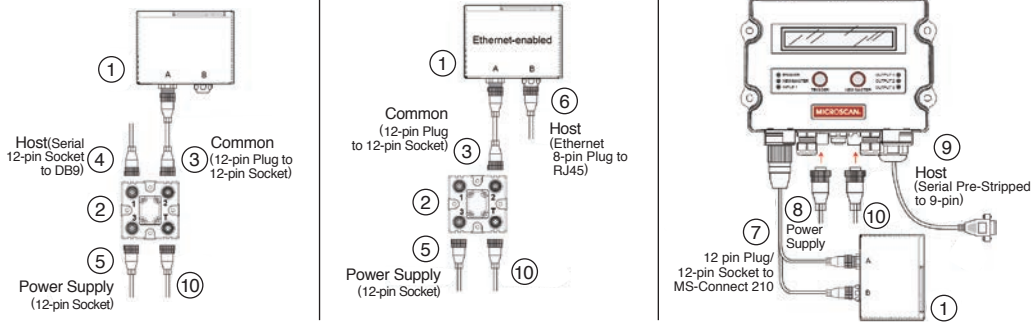


No.	Type	Model
1	QX-830 Laser Barcode Reader	FIS-0830-□□□□G
2	QX Cordset, Host, Serial, M12 12-Pin Plug (Screw-On)-to-DB-9 Socket, 1 m.	61-000152-02*
3	QX Cordset, Host, Serial, M12 12-Pin Socket (Screw-On)-to-DB-9 Socket, 1 m.	61-000153-02*
4	Power Supply, 100-240VAC, +24VDC, M12 12-Pin Socket	97-000012-01
5	Power Supply, 100-240VAC, +24VDC, M12 12-Pin Plug	97-000012-04
6	QX Cordset, Host, Ethernet, M8 8-Pin Plug (Screw-On)-to-RJ45, 1 m.	61-000160-03
-	Kit, 6 in. Mounting Arm / Adapter, QX-830, QX-870	98-000016-01
-	Kit, Mounting Stand Base Plate	98-000054-01

* Cordsets available in multiple lengths.

Stand Alone Configurations

With QX-1 or MS-Connect 210



No.	Type	Model
1	QX-830 Laser Barcode Reader	FIS-0830-□□□□G
2	QX-1 Interface Device	98-000103-02
3	QX Cordset, Common, M12 12-Pin Socket (Screw-On)-to-M12 12-Pin Plug (Screw-On), 1 m.	61-000162-02*1
4	QX Cordset, Host, Serial, M12 12-Pin Socket (Screw-On)-to-DB-9 Socket, 1 m.	61-000153-02*1
5	Power Supply, 100-240VAC, +24VDC, M12 12-Pin Socket	97-000012-01
6	QX Cordset, Host, Ethernet, M12 8-Pin Plug (Screw-On)-to-RJ45, 1 m.	61-000160-03*1
7	QX Cordset, M12 12-Pin Plug & M12 12-Pin Socket-to-MS-Connect 210 (RS-232), 2 m.	61-000158-03
8	Power Supply, 100-240VAC, +24VDC, TRK 3-Pin, U.S. / Euro Plug)	97-000012-02
9	Connectivity Box	FIS-0210-0001G*2
10	Photoelectric Sensor, M12, 4-pin Plug, NPN output, Cable length 2m	99-9000016-01
-	Kit, 6 in. Mounting Arm / Adapter, QX-830, QX-870	98-000016-01
-	Kit, Mounting Stand Base Plate	98-000054-01

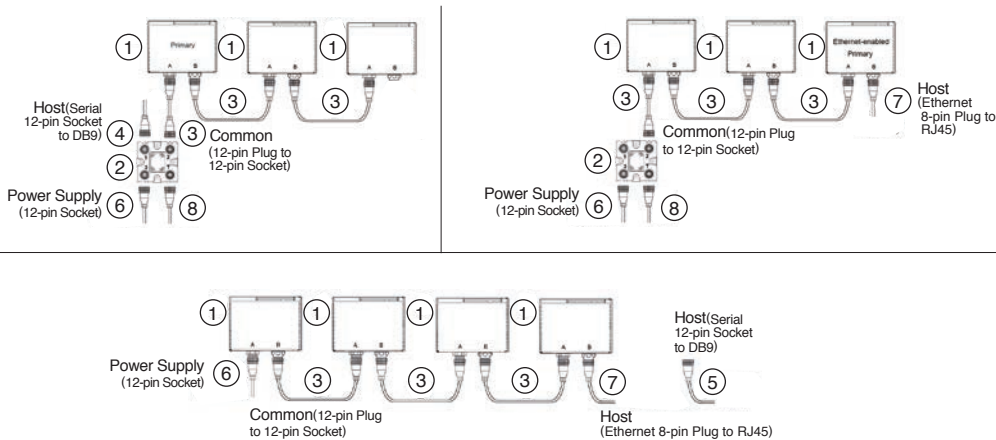
*1. Cordsets available in multiple lengths

*2. Refer to MS-Connection page for complete listing of MS-Connection 210 options

Laser Barcode Reader QX-830 series

System Configurations

Daisy Chain Configurations



No.	Type	Model
1	QX-830 Laser Barcode Reader	FIS-0830-□□□□G
2	QX-1 Interface Device	98-000103-02
3	QX Cordset, Common, M12 12-Pin Socket(Screw-On)-to-M12 12-Pin Plug(Screw-On), 1 m.	61-000162-02*
4	QX Cordset, Host, Serial, M12 12-Pin Socket (Screw-On)-to-DB-9 Socket, 1 m.	61-000153-02*
5	QX Cordset, Host, Serial, M12 12-Pin Plug (Screw-On)-to-DB-9 Socket, 1 m.	61-000152-02*
6	Power Supply, 100-240VAC, +24VDC, M12 12-Pin Socket	97-000012-01
7	QX Cordset, Host, Ethernet, M8 8-Pin Plug (Screw-On)-to-RJ45, 1 m.	61-000160-03
8	Photoelectric Sensor, M12, 4-pin Plug, NPN output, Cable length 2m	99-9000016-01
-	Kit, 6 in. Mounting Arm / Adapter, QX-830, QX-870	98-000016-01
-	Kit, Mounting Stand Base Plate	98-000054-01

* Cordsets available in multiple lengths.

Related Manuals

Man.No.	Model	Manual
84-000830	QX-830	Compact Industrial Scanner User's Manual

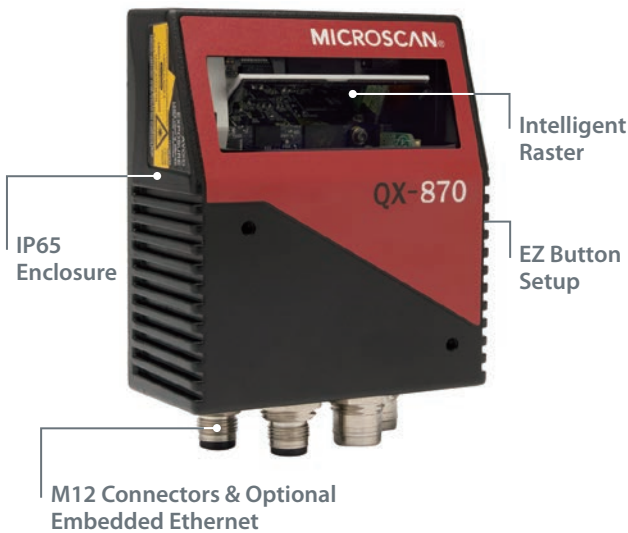
Laser Barcode Reader

QX-870 series

Industrial Raster Laser Barcode Reader

Multi Code Reader

Laser Barcode Reader





The QX-870 laser barcode reader partners the latest technologies in barcode reading and connectivity into an easy to use solution for barcode track, trace and control applications. Simple to set up and deploy, it features a programmable sweeping raster to read multiple codes, in varying locations, even if they are damaged or mis-aligned.


With plug and play setup and the most aggressive decode algorithms available, the QX-870 an ideal laser barcode reader for any industrial application.


QX-870: At a Glance


- Scans / second: 300 to 1400
- Read Range: 25 to 762 mm
- Optional Embedded Ethernet TCP / IP & EtherNet / IP
- IP65 Enclosure

 **ESP®** Easy Setup Program: Single-point software solution provides quick and easy setup and configuration of all OMRON Microscan readers.

 **EZ** Button: This performs reader setup and configuration with no computer required.

 **GOOD READ**: Visible Indicators: Performance indicators include "good read" green flash and LEDs.

 **RASTER SWEEP**: Sweeping Raster: This programmable feature enables the reader for multiple symbols at varying distances and locations.

 **QX Platform**: Quick Connect system and X-Mode technology combine to provide simple connectivity, networking, and high performance decoding.



Quick Connect System

- Plug and play setup
- Single or multi-reader solutions

X-Mode Technology

- Decodes damaged, poorly printed, or misaligned codes
- Ensures high read rates and throughput

High Performance

Aggressive decoding capabilities allow reliable reading of barcodes out to 762 mm, at up to a 254 mm beam width.

Ethernet Protocols

The QX-870 includes optional embedded Ethernet TCP / IP and EtherNet / IP for high speed communication.

Intelligent Raster

In addition to sweep angle and speed controls, the QX-870 features a programmable raster with intelligent auto framing technology. Advanced software will automatically frame the raster height and width of the laser to match the barcode, allowing selective targeting of codes within a single read cycle.

Application Examples

- Any industrial environment from light to heavy duty
- Automotive assembly
- Packaging and sortation
- Electronics production
- Embedded within machinery

QX-870: Available Codes

Linear



Stacked

MicroPDF



PDF417



GS1 Databar



Please see the Ratings and Specifications for a complete list of supported symbologies.

Handheld Code Reader

Code Verification System

Laser Barcode Reader QX-870 series

Ordering Information

Laser Barcode Readers

Scan mode	Read range	Interface	Model
Sweeping Raster	Low Density	Serial *	FIS-0870-0004G
	Medium Density		FIS-0870-0005G
	High Density		FIS-0870-0006G
	Low Density / Plastic Window		FIS-0870-0007G
Sweeping Raster	Low Density	Serial * and Ethernet	FIS-0870-1004G
	Medium Density		FIS-0870-1005G
	High Density		FIS-0870-1006G

* Supports RS-232, RS-422, or RS-485.

Accessories

Type	Model
QX-1 Interface Device	98-000103-02
QX Cordset, Common, M12 12-pin Socket (Screw-On) to M12 12-pin Plug (Screw-On), 3 m	61-000148-02
QX Cordset, Common, M12 12-pin Socket (Screw-On) to M12 12-pin Plug (Screw-On), 1 m	61-000162-02
QX Cordset, Host, Serial, M12 12-pin Socket (Screw-On) to DB-9 Socket, 1 m	61-000153-02
QX Cordset, Host, Serial, M12 12-pin Socket (Screw-On) to DB-9 Socket, 3 m	61-000164-02
QX Cordset, Host, Serial, M12 12-pin Plug (Screw-On) to DB-9 Socket, 1 m	61-000152-02
QX Cordset, Host, Serial, M12 12-pin Plug (Screw-On) to DB-9 Socket, 3 m	61-000165-02
QX Cordset, Host, Ethernet, M12 8-pin Plug (Screw-On) to RJ45, 1 m	61-000160-03
QX Cordset, M12 12-pin Plug to M12 12-pin Socket to DB-25 Plug Turck Connectors	61-000172-02
QX Cordset, M12 12-pin Plug & M12 12-pin Socket to MS-Connect 210, RS-232, 2 m	61-000158-03
QX Cordset, M12 12-pin Plug (Screw-On) to Flying Leads, 3 m	61-000166-02
QX Cordset, M12 12-pin Plug & Socket to IB-131, RS-232, 2 m	61-000159-03
QX Cordset, M12 12-pin Socket to IB-131, RS-232 / RS-485, 2 m	61-000159-04
Photoelectric Sensor, M12, 4-pin Plug, NPN output, Cable length 2m	99-9000016-01

Power Supplies

Type	Model
Power Supply, 100-240 VAC, +24 VDC, M12 12-pin Socket	97-000012-01
Power Supply, 100-240 VAC, +24 VDC, M12 12-Pin Plug	97-000012-04

Note: Do not use the power supplies or power supply cords indicated in this catalog with any other electric or electronic equipment. When using the QX-870 Series, please use the power supply and power supply cord indicated in this catalog.

Mounting and Connectors

Type	Model
Mounting Plate Kit for QX-830 / QX-870	98-500006-01
Right Angle Mirror Kit for QX-830	98-200026-02
Mounting Arm / Adapter Kit for QX-830 / QX-870, 152 mm (6 inches)	98-000016-01
Mounting Arm Extension Kit for all code readers, 152 mm (6 inches)	98-000037-01
L-Bracket Kit for QX Series	98-000148-01
Mounting Stand Base Plate Kit	98-000054-01
Trigger Connector, 4-pin Plug (screw terminal and field wireable for custom wiring into IB-131)	20-610024-01

Laser Barcode Reader QX-870 series

Ratings and Specifications

Multi Code Reader

Laser Barcode Reader

Applicable codes	Standard	Code 39, Codabar, Code 93, Interleaved 2 of 5, Code 128, PDF417, Micro PDF417, Pharmacode, UPC, GS1 Databar
	Application standards	UCC / EAN-128, AIAG
Reading performance	Mirror type	Rotating, 10-faceted
	Scan rate	Adjustable from 300 to 1,400 scans/s, default=500
	Scan width angle	60° (typ.)
	Pitch	±50° max.
	Skew	±40° max.
	Label contrast	25% min. absolute dark to light differential at 655 nm wavelength
Communications	Interface	RS-232 / 422 / 485 and / or Ethernet*
	Protocols	Point-to-Point, Point-to-Point w / RTS / CTS, Point-to-Point w / XON / XOFF, Point-to-Point w / RTS / CTS & XON / XOFF, Multidrop, Daisy Chain, User-Defined Multidrop, Ethernet TCP / IP, EtherNet / IP
I / O specifications	Input 1 / Trigger / New Master	Bi-directional optoisolated 4.5 to 28 V rated (13 mA at 24 VDC)
	Outputs (1, 2 & 3)	Optoisolated, 1 to 28 V rated, (I _{CE} < 100 mA at 24 VDC, current limited by user)
Power requirement		10 to 28 VDC, 200 mV p-p max. ripple, 270 mA at 24 VDC (typ.)
Laser light	Type	Laser diode
	Output wavelength	655 nm nominal
	Beam divergence	0.4 mrad (typ.)
	Pulse time	40 to 186 µs
	Maximum output	1.75 mW
	Operating life	50,000 hours at 25°C
	Safety class	Visible laser: IEC 60825-1 Class 2
Environmental specifications	Ambient temperature range	Operating: 0 to 50°C, Storage: -40 to 75°C
	Ambient humidity range	Up to 90% (with no icing or condensation)
	Degree of protection	IP65
Weight		Approx. 453 g
Dimensions		109 x 45 x 95 mm (H x D x W)
Safety standards		FCC, UL/c UL, CE, CB, KC, RCM, EAC, BIS
Material		Aluminum diecast

* Depends on model. See Ordering Information for details.

Handheld Code Reader

Code Verification System

Raster Mirror Performance

Raster sweep angle	Maximum sweeps per second
1 to 10°	80
11 to 20°	60
21 to 34° (max.)	40
35 to 36° (max.)	20

PIN ASSIGNMENTS*

Connector A (Serial)
M12 12-pin plug

Pin Assignment
1 Trigger
2 Power
3 Default
4 New Master
5 Output 1
6 Output 3
7 Ground
8 Input Common
9 Host RxD
10 Host TxD
11 Output 2
12 Output Common

Connector B (Serial)
M12 12-pin socket

Pin Assignment
1 Trigger
2 Power
3 Terminated
4 Input 1
5 422 / 485 TxD (+)
6 422 / 485 RxD (+)
7 Ground
8 Input Common
9 TxD / RTS
10 RxD / CTS
11 422 / 485 TxD (-)
12 422 / 485 RxD (-)

Connector P / M (Serial)
M12 12-pin plug

Pin Assignment
1 N / C
2 Power
3 N / C
4 N / C
5 422 / 485 TxD (+)
6 422 / 485 RxD (+)
7 Ground
8 N / C
9 N / C
10 N / C
11 422 / 485 TxD (-)
12 422 / 485 RxD (-)

Connector B (Ethernet)
M12 8-pin socket

Pin Assignment
1 Terminated
2 Terminated
3 Terminated
4 TX (-)
5 RX (+)
6 TX (+)
7 Terminated
8 RX (-)

Connector T (Trigger)
M12 4-pin socket

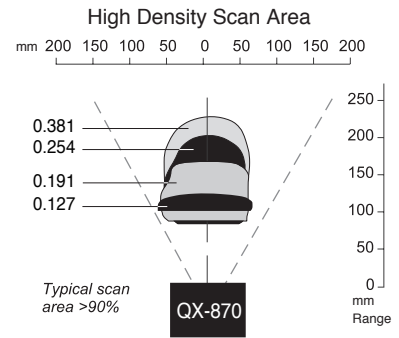
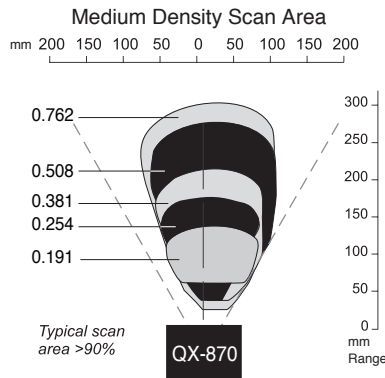
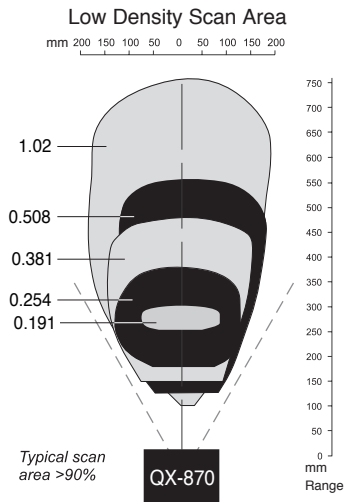
Pin Assignment
1 Power
2 Trigger
3 Ground
4 Input

*Note: Detailed connector pinout information is available in the User's Manual.

Laser Barcode Reader QX-870 series

Read Ranges*

(Unit: mm)



Narrow-bar-width	Read range
0.191 mm	254 to 305 mm
0.254 mm	178 to 381 mm
0.381 mm	152 to 483 mm
0.508 mm	127 to 558 mm
1.02 mm	102 to 762 mm

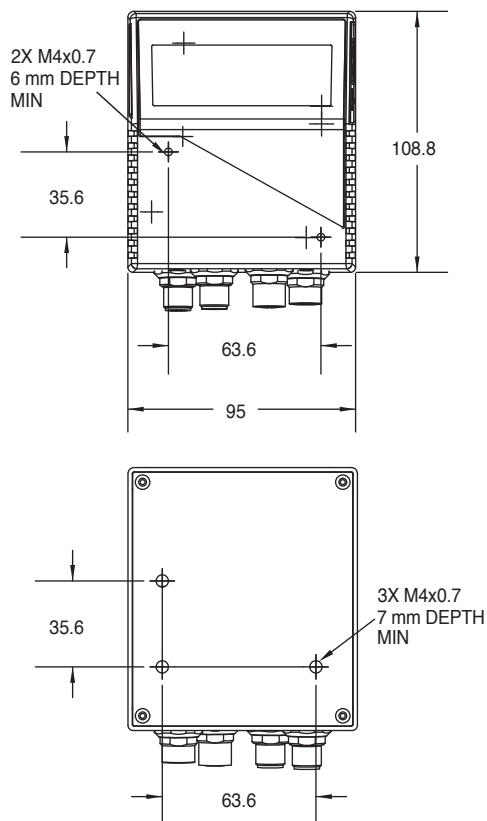
Narrow-bar-width	Read range
0.191 mm	64 to 140 mm
0.254 mm	38 to 178 mm
0.381 mm	38 to 216 mm
0.508 mm	38 to 280 mm
0.762 mm	25 to 304 mm

Narrow-bar-width	Read range
0.084 mm	Contact OMRON.
0.127 mm	102 to 127 mm
0.191 mm	89 to 171 mm
0.254 mm	82 to 203 mm
0.381 mm	82 to 228 mm

* Ranges based on a Grade A, Code 39 label, at 500 scans per second. Data subject to change.

Dimensions

(Unit: mm)



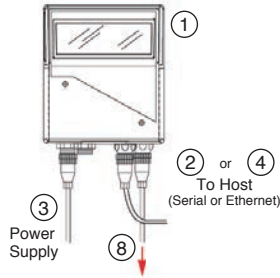
Laser Label Indications

This warning label is attached to the laser barcode reader. Never remove this label or place objects in front of it.

Laser Barcode Reader QX-870 series

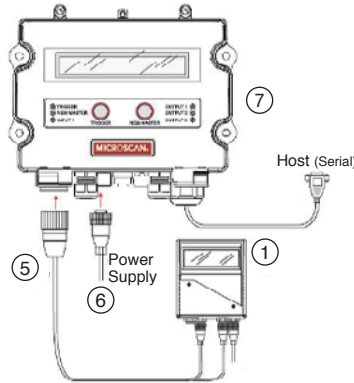
System Configurations

Stand Alone Configurations



Important: Ethernet or Serial connectivity is reader dependent See FISes for the appropriate reader model.

MS-Connect 210

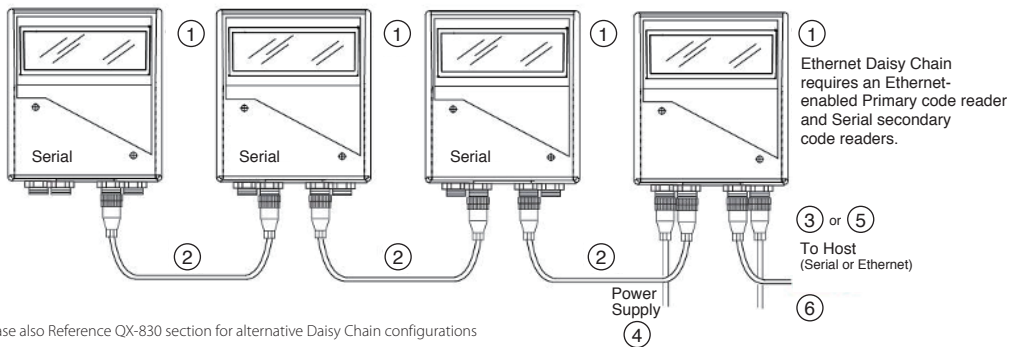


No.	Type	Model
1	QX-870 Laser Barcode Reader	FIS-0870-□□□□G
2	QX Cordset, Host, Serial, M12 12-Pin Plug (Screw-On)-to-DB-9 Socket, 1 m.	61-000152-02 ^{*1}
3	Power Supply, 100-240VAC, +24VDC, M12 12-Pin Socket	97-000012-01
4	QX Cordset, Host, Ethernet, M8 8-Pin Plug (Screw-On)-to-RJ45, 1 m.	61-000160-03 ^{*1}
5	QX Cordset, M12 12-Pin Plug & M12 12-Pin Socket-to-MS-Connect 210 (RS-232), 2 m.	61-000158-03
6	Power Supply, 100-240VAC, +24VDC, TRK 3-Pin, U.S. / Euro Plug)	97-000012-02
7	Connectivity Box	FIS-0210-0001G ^{*2}
8	Photoelectric Sensor, M12, 4-pin Plug, NPN output, Cable length 2m	99-9000016-01
-	Kit, 6 in. Mounting Arm / Adapter, QX-830, QX-870	98-000016-01
-	Kit, Mounting Stand Base Plate	98-000054-01

*1. Cordsets available in multiple lengths

*2. Refer to MS-Connection page for complete listing of MS-Connection 210 options

Daisy Chain Configurations



Please also Reference QX-830 section for alternative Daisy Chain configurations

No.	Type	Model
1	QX-870 Laser Barcode Reader	FIS-0870-□□□□G
2	QX Cordset, Common, M12 12-Pin Socket (Screw-On)-to-M12 12-Pin Plug (Screw-On),1 m.	61-000162-02 [*]
3	QX Cordset, Host, Serial, M12 12-Pin Plug (Screw-On)-to-DB-9 Socket, 1 m.	61-000152-02 [*]
4	Power Supply, 100-240VAC, +24VDC, M12 12-Pin Socket	97-000012-01
5	QX Cordset, Host, Ethernet, M8 8-Pin Plug (Screw-On)-to-RJ45, 1 m.	61-000160-03 [*]
6	Photoelectric Sensor, M12, 4-pin Plug, NPN output, Cable length 2m	99-9000016-01
-	Kit, 6 in. Mounting Arm / Adapter, QX-830, QX-870	98-000016-01
-	Kit, Mounting Stand Base Plate	98-000054-01

* Cordsets available in multiple lengths

Related Manuals

Man.No.	Model	Manual
84-000870	QX-870	Industrial Raster Scanner User's Manual

Handheld DPM Code Reader

HS-360X series

“Ultra-Rugged” Hand Held Code Reader

Multi Code Reader

Laser Barcode Reader

Handheld Code Reader

Code Verification System



The HS-360X Ultra-Rugged Handheld Code Reader is Omron Microscan’s newest generation of industrial Direct Part Mark (DPM) handheld code reader, purpose built from the ground up to set new standards for durability and performance. With best in class out of box performance most applications require NO setup. An all NEW user interface WebLink_{PC} makes setup for more difficult applications intuitive and easy.

HS-360X:At a Glance

- Wired or Wireless
- Ultra-Rugged DPM Handheld Code Reader
- Industry-Leading DPM Decoding Performance with X-Mode
- Intuitive WebLink_{PC} Interface

HS-360X:Available Codes

Liner		
Stacked	PDF417	GS1 Databar
2D	Data Matrix	QR
	Micro QR	

Please see the Ratings and Specifications for a complete list of supported symbologies.

Ultra-Rugged

The HS-360X withstands multiple drops from 8’ and 5,000 tumbles.

X-Mode Decode Algorithms

The HS-360X includes industry-leading X-Mode decoding algorithms to consistently read damaged, distorted or otherwise challenging directly marked codes at high decode rates.

Performance Indicators

In addition to a beeper, visual and vibrating indicators provide silent confirmation of successful reads for noisy or sensitive environments.

Industrial Fluid and Chemical Tolerable

Many industrial fluids and chemicals deemed tolerable.

Charging Station

The charging station is IP65 and transmits and receives data over a Bluetooth class 1 or 2 out to 300 feet. It includes a Wi-Fi friendly mode and a paging button to locate a misplaced code reader.

Ease of Use - WebLink_{PC}

Code reader configuration and deployment with browser based user interface and device discovery.

Handheld DPM Code Reader HS-360X series

Ordering Information

Type	Applicable countries	Model	
Handheld DPM Code Reader, Wired, HDS-3608	Common (except for India / Korea)	HDS-3608-0001	
Handheld DPM Code Reader, Wireless, HDS-3678		HDS-3678-0001	
Battery Spare for HS-360X Wireless Type		98-9000224-01	
Handheld DPM Code Reader, Wired, HDS-3608 INDIA / KOREA	India / Korea	HDS-3608-0002	
Handheld DPM Code Reader, Wireless, HDS-3678 INDIA / KOREA		HDS-3678-0002	
Battery Spare for HS-360X Wireless Type, INDIA / KOREA		98-9000224-02	
Cradle / Charger, HS-360X Wireless Type	Common	12-9000937-01	
Cable, USB, Shielded, 2m (Power Supply Required)		12-9000942-01	
Cable, USB, Shielded, 4.6m (Power Supply Required)		12-9000943-01	
Cable, USB, Shielded, 2m		12-9000946-01	
Cable, USB, Shielded, 4.6m		12-9000947-01	
Cable, RS-232, DB9 Socket, 2M, Straight, HS-360X (Power Supply Required)		12-9000953-01	
AC power Cord, 1.8m, JAPAN, C13 connector		Japan	12-9001046-01
AC power Cord, 1.9m, INDIA, C13 connector		India	12-9000963-01*
AC power Cord, 2.5m, US, C13 connector	United States	12-9000959-01	
AC power Cord, 2.5m, EU / Korea, C13 connector	Europe / Korea	12-9000960-01	
AC power Cord, 2.5m, UK, C13 connector	UK	12-9000961-01	
AC power Cord, 2.5m, CHINA, C13 connector	China	12-9000962-01	
KIT, Power Supply for Cradle / Charger, HS-360X Wireless Type (A / C Power Cord Required)	Common	98-9000181-01	
KIT, Power Supply for Battery Charger, 4 Slot, HS-360X Wireless Type (A / C Power Cord Required)		98-9000182-01	
4 Slot, Battery Charger, HS-360X Wireless Type (Power Supply Required)		98-9000185-01	
Intelligent Stand		98-9000186-01	

Note: Do not use the power supplies or power supply cords indicated in this catalog with any other electric or electronic equipment.
 When using the HS-360X Series, please use the power supply and power supply cord indicated in this catalog.

Multi Code Reader

Laser Barcode Reader

Handheld Code Reader

Code Verification System

Handheld DPM Code Reader HS-360X series

Ratings and Specifications

Applicable codes	1D	UPC / EAN, UPC / EAN with supplementals, Bookland, EAN, ISSN, UCC Coupon Extended Code, Code 128, GS1-128, ISBT 128, ISBT Concatenation, Code 39, Code 39 Full ASCII, Trioptic Code 39, Code 32, Code 93, Code 11, Interleaved 2 of 5, Discrete 2 of 5, Codabar, MSI, Chinese 2 of 5, Matrix 2 of 5, Korean 3 of 5, GS1 DataBar variants
	2D	PDF417, MicroPDF417, Composite Codes, TLC-39, Data Matrix, QR Code, MicroQR, Aztec, Han Xin, GS1-QR, GS1-DM
	Postal	US Postnet, US Planet, UK Postal, Japan Post, Australia Post, Royal Mail 4 State Customer, UPU 4 State Postal FICS (Post US4), USPS 4 State Postal (Post US3)
Reading performance	Field of view (Horizontal x Vertical) nominal	31° (H) × 23° (V)
	Roll	0 to 360°
	Pitch	±60°
	Skew	±60°
	Scans per charge	Up to 100,000
Minimum resolution	Code 39: 0.0762 mm PDF417: 0.1016 mm DataMatrix: 0.1016 mm	
Interface	USB, RS-232 The code reader supports the following protocols over USB: HID Keyboard (default mode), SNAPI, COM Port Emulation, USB CDC	
Power	5 VDC + / - 10% @ 360 mA (RMS typical)	
Light source	Aiming pattern: Class 2 Laser 655nm Illumination: Exempt Risk Group, Warm white LED, Red 634nm LED	
Environmental specifications	Ambient temperature range	Wireless code reader Operating: -20 to +50°C, Storage: -40 to +70°C Wired code reader Operating: -30 to +50°C, Storage: -40 to +70°C
	Ambient humidity range	5%RH to 95%RH (with no icing or condensation),
	Drop specifications	Withstands multiple 8 ft. / 2.4 m drops to concrete at room temperature.
	Degree of protection	IP65 and IP67
	ESD	20 kV air discharge: 10 kV contact discharge
Ambient light immunity	0 to 10,037 foot-candles / 0 to 108,000 Lux (direct sunlight)	
Weight	Wireless code reader: Approx. 402 g (with Battery) Wired code reader: Approx. 304 g (without Cable)	
Dimensions	Wireless code reader: 185 mm (H) × 143 mm (D) × 77 mm (W) Wired code reader: 185 mm (H) × 132 mm (D) × 77 mm (W)	

Cradle

Power requirements for host-powered	5.0V ± 10%
Power requirements for external power supply	12.0V ± 5%
Typical current draw when not charging	80mA @ 5V; 30mA @ 12V
Typical current draw in safe charging mode	1200mA @ 5V (BC 1.2), 475mA (non-BC1.2); 700mA @ 12V
Typical current draw in safe charging mode	400mA @ 5V; 200mA @ 12V
Interfaces	USB, RS-232
Radio	Bluetooth, Up to 100 meters / 300 ft. in open air range / environment Serial Port & HID Profiles 2.402 to 2.480 GHz Adaptive Frequency Hopping (co-existence with 802.11 wireless networks) 3Mbit / s (2.1Mbit / s) for Classic Bluetooth 1Mbit / s (0.27Mbit / s) for Low Energy
Ambient temperature range	Operating : -20 to 50°C, Storage : -40 to 70°C
Charging temperature	0 to 40°C nominal, 5 to 35°C ideal
Ambient humidity range	5%RH to 95%RH (non-condensing)
ESD	25 kV air discharge 10 kV contact discharge
Weight	Approx. 390 g
Dimensions	82.6 mm (H) x 229.4 mm (D) x 99.8 mm (W)
Safety standards	UL / EN / IEC 60950-1 + AM2
EMC	IEC61000-4-(2,3,4,5,6,11)
EMI	FCC Part 15 Class B, ICES-003 Class B Japan VCCI Class B

Handheld DPM Code Reader HS-360X series

Read Ranges

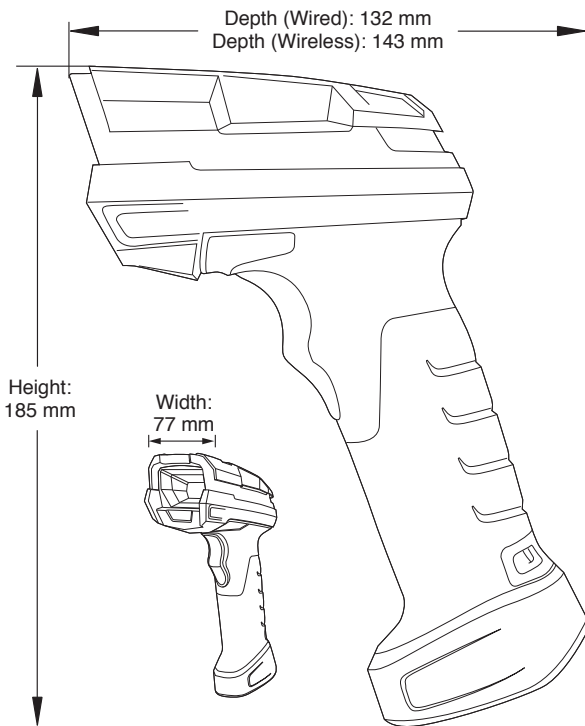
(Unit: mm)

Barcode Type	Symbol Density	HS-360X Typical Working Ranges	
		Near	Far
Code 39	0.0762 mm	5 mm	71 mm
PDF417	0.127 mm	5 mm	71 mm
	0.16764 mm	5 mm*	81 mm
DataMatrix	0.127 mm	10 mm	63 mm
	0.254 mm	0 mm	86 mm
QR Code	0.127 mm	10 mm	63 mm
	0.254 mm	0 mm	86 mm
UPC	0.3302 mm	25 mm*	147 mm

* Field of view/barcode width limited. Decode ranges measured with Decoder Effort Level 1 (DPM Mode off), photographic paper barcodes, and under 30 fcd ambient light conditions.

Dimensions

(Unit: mm)



Laser Label Indications

This warning label is attached to the code reader.
Never remove this label or place objects in front of it.

Related Manuals

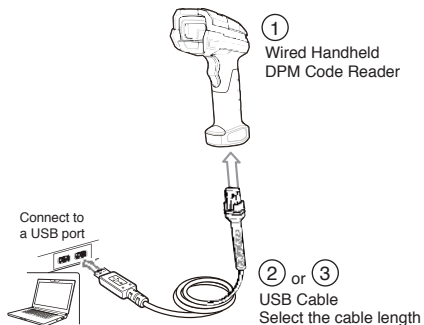
Man.No.	Model	Manual
84-9000360-02	HS-360X	Handheld DPM Scanner User's Manual
83-9310013-02	HS-360X	Wired Handheld DPM Scanner Quick Start Guide
83-9310014-02	HS-360X	Wireless Handheld DPM Scanner Quick Start Guide
83-9310018-02	HS-360X	Cradle Quick Start Guide
83-9310017-02	HS-360X	Four-Slot Spare Battery Charger Quick Start Guide

Handheld DPM Code Reader HS-360X series

System Configurations

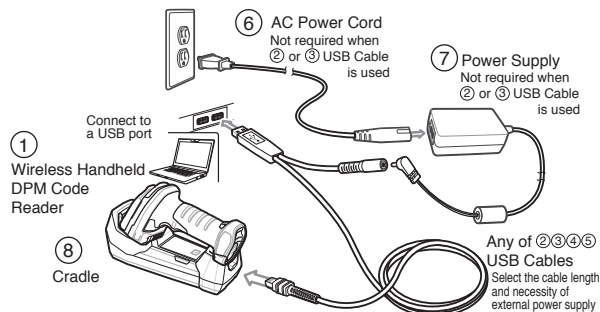
When setting with WebLinkPC, please use PC with WebLinkPC installed and USB cable (12-9000946-01/12-900953-01).

Wired code reader (USB connection)



No.	Type	Model
1	Handheld DPM Code Reader, Wired, HDS-3608	HDS-3608-0001
2	Cable, USB, Shielded, 2 m	12-9000946-01
3	Cable, USB, Shielded, 4.6 m	12-9000947-01

Wireless code reader (USB connection)

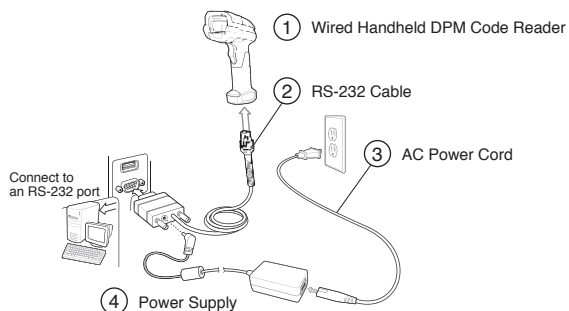


No.	Type	Model
1	Handheld DPM Code Reader, Wireless, HDS-3678	HDS-3678-0001
2	Cable, USB, Shielded, 2 m *1	12-9000946-01
3	Cable, USB, Shielded, 4.6 m *1	12-9000947-01
4	Cable, USB, Shielded, 2 m (power supply required) *1	12-9000942-01
5	Cable, USB, Shielded, 4.6 m (power supply required) *1	12-9000943-01
6	AC Power Cord, 1.8 m, JAPAN, C13 connector *2	12-9001046-01
7	KIT, Power Supply for Cradle/Charger, HS-360X Wireless Type (AC power cord required)	98-9000181-01
8	Cradle/Charger, HS-360X Wireless Type	12-9000937-01

*1. Cables that require external power supply provide faster charge.
From discharge to full charge: 10 hours max. using USB port only, 3 hours max. using external power supply

*2. AC power cords that can be used in other countries are also available.

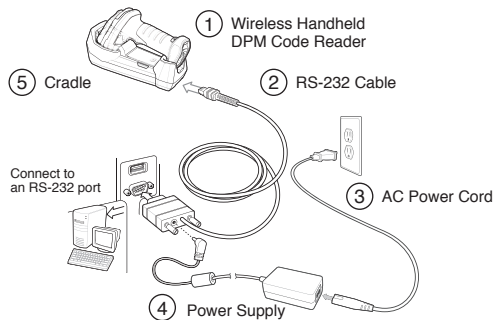
Wired code reader (RS-232 connection)



No.	Type	Model
1	Handheld DPM Code Reader, Wired, HDS-3608	HDS-3608-0001
2	Cable, RS-232, DB9 Socket, 2 m, Straight, HS-360X (power supply required)	12-9000953-01
3	AC Power Cord, 1.8 m, JAPAN, C13 connector *	12-9001046-01
4	KIT, Power Supply for Cradle/Charger, HS-360X Wireless Type (AC power cord required)	98-9000181-01

* AC power cords that can be used in other countries are also available.

Wireless code reader (RS-232 connection)



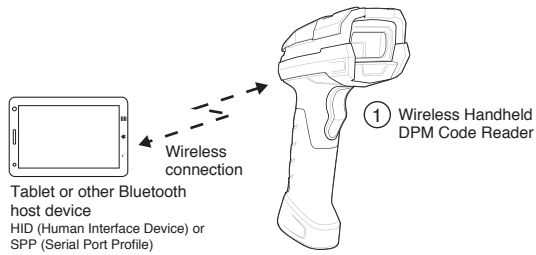
No.	Type	Model
1	Handheld DPM Code Reader, Wireless, HDS-3678	HDS-3678-0001
2	Cable, RS-232, DB9 Socket, 2 m, Straight, HS-360X (power supply required)	12-9000953-01
3	AC Power Cord, 1.8 m, JAPAN, C13 connector *	12-9001046-01
4	KIT, Power Supply for Cradle/Charger, HS-360X Wireless Type (AC power cord required)	98-9000181-01
5	Cradle/Charger, HS-360X Wireless Type	12-9000937-01

* AC power cords that can be used in other countries are also available.

Handheld DPM Code Reader HS-360X series

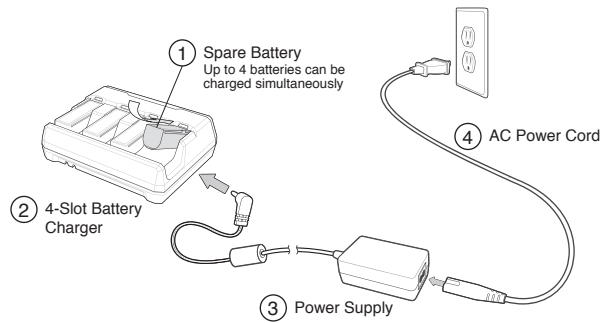
System Configurations

Wireless code reader (Bluetooth connection)



No.	Type	Model
1	Handheld DPM Code Reader, Wireless, HDS-3678	HDS-3678-0001

Charging spare batteries



No.	Type	Model
1	Battery, Spare, HS-360X Wireless Type	98-9000224-01
2	4 Slots, Battery Charger, HS-360X Wireless Type (power supply required)	98-9000185-01
3	KIT, Power Supply for Battery Charger, 4 Slots, HS-360X Wireless Type (AC power cord required)	98-9000182-01
4	AC Power Cord, 1.8 m, JAPAN, C13 connector *	12-9001046-01

* AC power cords that can be used in other countries are also available.

Code Verification System

LVS-9510 series

Desktop Barcode Verification System



Comes with handheld top cover (not shown) to keep label in position on viewing window.

LVS-9510: At a Glance

- Validates to ISO / IEC, ANSI, GS1, and UDI print quality standards.
- Software upgrade options include Multi-Sector for verification of multiple barcodes on a label.
- 21 CFR Part 11 compliant-ready.
- Certified by GS1 US.
- Supports 15 languages.
- Quality data reporting for auditing purposes.
- Manage operator permissions using LVS-95XX software or using Microsoft Active Directory.
- Includes NIST-Traceable Calibrated Conformance Standard Test Card for calibrating the system.

LVS-9510: Available Symbologies



Please see the Ratings and Specifications for a complete list of supported symbologies.

The LVS-9510 is a high-performance system for off-line verification of barcodes to ISO / IEC, ANSI, GS1, and UDI standards.

The LVS-9510 is unique in the world of ISO verification due to its ease of use and ability to verify linear (1D) and two-dimensional (2D) codes without any change of equipment. The system automatically determines the symbology and aperture needed to evaluate the code and identifies and highlights trouble spots.

The LVS-9510 offers a "stitching" feature that allows grading of barcodes that are larger than the field of view.

ISO / ANSI for 1D

LVS-95XX series barcode verifiers inspect all nine ISO / ANSI parameters for linear (1D) barcodes, have the ability to identify blemishes, and can perform simple human-readable validation.

ISO / ANSI for 2D

The LVS-95XX series verifies 2D codes and reports all parameters as specified in the applicable symbology specification.

Analytical Tools

Equipped with numerous analytical tools to identify and evaluate barcode errors. Problems are color-coded to make problem solving easy.

Software

LVS-95XX software includes GS1 System Symbol Specification Tables. GS1 tables set standards for barcode data structure and how to maintain the quality of codes during barcode creation. OMRON Microscan offers an online training course on GS1 tables and how these apply to different organizations.

Software Upgrade: EAIV

The Enhanced Application Identifier Verification (EAIV) option verifies that all GS1 Application Identifiers, such as Expiration Date, Global Trade Item Number (GTIN), and Batch Number, embedded in the data structure of a GS1 barcode match the data programmed in the EAIV feature by the user.

User Permission Options

Manage permissions through LVS-95XX software: Passwords are stored in a local database. All passwords are encrypted, include an expiration date, and count failed password attempts.

Manage permissions through Microsoft Active Directory: User privileges are based on Microsoft authentication and LVS-95XX permissions are assigned based on group membership.

Multi Code Reader

Laser Barcode Reader

Handheld Code Reader

Code Verification System

Code Verification System LVS-9510 series

Ordering Information

Code Verification Systems

Type	Field of view	Model
LVS-9510 Verifier	76 mm	9510-5-3.0
	102 mm	9510-5-4.0
	114 mm	9510-5-4.5
	159 mm	9510-5-6.250

Note: Be sure to use the power supply and power supply cord included with the product.
 In addition, do not use the power supplies or power supply cords with any other electric or electronic equipment.

Accessories

Type	Model
EAN / UPC Calibrated Conformance Test Card (Included with 9510-5-3.0 / 4.0 / 4.5 / 6 / 250)	98-CAL020
GS1-128 Calibrated Conformance Test Card (Included with 9510-5-6.250)	98-CAL021
Data Matrix Calibrated Conformance Test Card	98-CAL010
LVS-9510 and LVS-958□ Software Upgrade Option: Multi-Sector Verification	98-SOF0039
LVS-95□□ Software Upgrade Option: Automatic Login Feature	98-SOF0056
Software Upgrade Option: EAIV (Enhanced Application Identifier Verification)	98-SOF0088
LVS-95□□ IQ-OQ Validation Procedure Guidelines, v. 4.3 and later (includes text cards)	98-LVS0077
Validation Test Cards (25 test cards)	98-LVS-VTC

Multi Code Reader

Laser Barcode Reader

Handheld Code Reader

Code Verification System

Code Verification System LVS-9510 series

Ratings and Specifications

Multi Code Reader	Supported standards	AIAG / DAMA / JAPIA / Odette				
		ALDI				
		ISO / IEC TR 29158 (DPM Cat 0)				
		Laser Barcode Reader	Application standards	DHL		
				FPMAJ		
				French CIP		
				GS1 General Specifications		
				HDMA Guidelines		
				Health Industry Barcode (HIBC)		
				IFAH		
				ISO / IEC 15415 / 15416		
				Italian Pharmacode		
				Japan Codabar		
				Laetus Miniature Pharmacode		
				Laetus Pharmacode		
				Laetus Standard		
				MIL-STD-130N Change 1		
				Pharmacy Product Number (PPN)		
				Automatic GS1 or ISO		
				Chinese Sensible (Han Xin) Code		
				GS1 General Specifications		
				GS1 (NTIN)		
				HDMA Guidelines		
				Miniature Pharmacode		
				Postal (EIB, USPS IMB / Code 128, POSTNET, Japan Post)		
				PPN Code		
				PZN-big, normal, small (German Pharmacode)		
				PZN 7 and PZN 8		
				Laser Barcode Reader	GS1 US certification	Data Matrix for Healthcare
						Data Matrix (ECC 200)
						EAN / UPC
						EAN / UPC and extended codes
						EAN / UPC with CC
GS1 DataBar Omnidirectional						
ITF-14						
GS1 DataBar-14 with CC (formerly RSS-14 with CC)						
UCC / EAN with Supplementals						
UCC / EAN-128						
UCC / EAN-128 with CC						
ISO / IEC 15415, 15416, 15418						
ISO / IEC 15426-1, 15426-2						
ISO / IEC TR29158 (DPM Cat 0) / AIM DPM-1-2006						
All supported ISO / IEC symbology specifications						
Handheld Code Reader	ISO conformance standards	Codabar				
		Code 128, Code 39, Code 93				
		GS1 DataBar Expanded and Limited				
		DataBar				
		DataBar Expanded and Limited				
		DataBar Omnidirectional				
		DataBar Stacked and Truncated				
		EAN / JAN-13				
		EAN / JAN-8				
		Enterprise Intelligent Barcode (EIB) 4-State (4SB)				
		GS1-128				
		Hanxin Code				
		HIBC				
		Interleaved 2 of 5 (ITF)				
		ITF-14				
	Japan Post					
	MSI Plessey					
	Pharmacode-Italian and Laetus					
	PZN 7, PZN 8					
	UPC-A, UPC-E					
	USPS-128					
	USPS Intelligent Mail Barcode (4-State Customer Barcode)					
	Code Verification System	Supported symbologies	Aztec			
			DataBar with CC-A, CC-B, or CC-C			
			EAN / JAN-13 with CC-A, CC-B, or CC-C			
			EAN / JAN-8 with CC-A, CC-B, or CC-C			
			ECC-200 (Data Matrix)			
			• EIB CMDM			
			• French CIP			
			• GS1 Data Matrix			
			• NTIN and PPN			
			GS1-128 with CC-A, CC-B, or CC-C			
			MaxiCode			
Micro QR Code						
MicroPDF417						
PDF417						
QR Code						
UPC-A with CC-A, CC-B, or CC-C						
UPC-E with CC-A, CC-B, or CC-C						
Two-dimensional (2D) symbologies		Aztec				
	DataBar with CC-A, CC-B, or CC-C					
	EAN / JAN-13 with CC-A, CC-B, or CC-C					

* Contact OMRON for a complete list of supported ECC-200 (Data Matrix) codes.

CC=Composite Components

Code Verification System LVS-9510 series

Minimum PC requirements (PC supplied by customer)		<ul style="list-style-type: none"> • Windows® 7 Professional, Windows® 8.1 Pro, or Windows® 10 Pro • Intel® Core™ 2 Duo Processor or higher • 2 GB RAM • 800 x 600 screen resolution • One USB 2.0 port available per unit
Camera		Monochrome 5 million pixels
Illumination		White LED, red filter (660 nm)
Environmental specifications	Ambient temperature range	Operating: 10 to 30°C, Storage: 0 to 40°C
	Ambient humidity range	Operating: 20% to 80% (with no icing or condensation), Storage: 20% to 95% (with no icing or condensation)
Communications		USB 2.0 A plug to B plug cable, 1.8 m
Power voltage		12 VDC at 2.5 A max.
Weight	Unpackaged standalone	Approx. 2.72 kg
	Shipping weight	Approx. 5.89 kg (Includes all items packaged in shipping box, such as power supply and cables)
Dimensions		279.4 x 228.6 x 279.4 mm (H x D x W) (Includes rubber feet on system base)
Top cover	Dimensions	139.7 x 190.5 mm
	Weight	Approx. 155.92 g
Safety standards		FCC, CE, UL
Calibrated Conformance Test Card (Included with system)		<ul style="list-style-type: none"> • Included with 9510-5-3.0: EAN / UPC Calibrated Conformance Standard Test Card • Included with 9510-5-4.0: EAN / UPC Calibrated Conformance Standard Test Card • Included with 9510-5-4.5: EAN / UPC Calibrated Conformance Standard Test Card • Included with 9510-5-6.250: GS1-128 Calibrated Conformance Standard Test Card
Calibrated Conformance Test Card (Option)		<ul style="list-style-type: none"> • EAN / UPC Calibrated Conformance Standard Test Card (Model: 98-CAL020) • GS1-128 Calibrated Conformance Standard Test Card (Model: 98-CAL021)

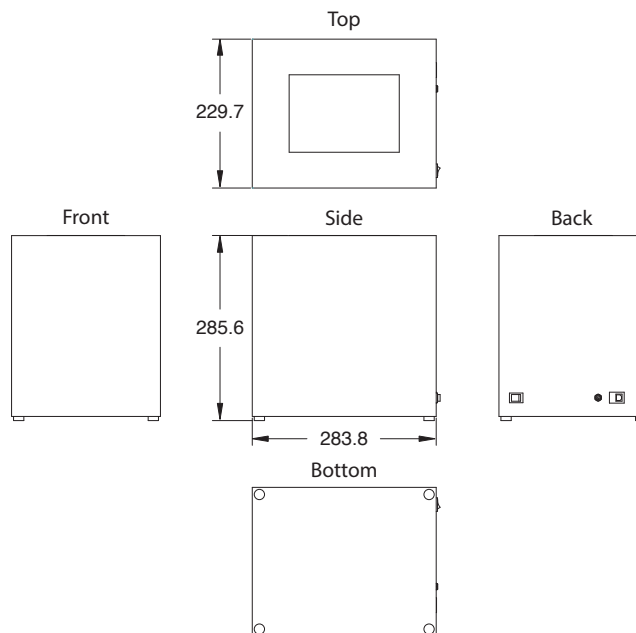
Options

Field of View Options

Model	Minimum X dimension (nominal)		Field of view (approximate)
	1D	2D	
9510-5-3.0	0.10 mm	0.15 mm	76 mm
9510-5-4.0	0.15 mm	0.23 mm	102 mm
9510-5-4.5	0.18 mm	0.25 mm	114 mm
9510-5-6.250	0.24 mm	0.33 mm	159 mm

Dimensions

(Unit: mm)



Related Manuals

Man.No.	Model	Manual
84-9310001-02	LVS-95□□	Barcode Quality Station Operations Manual
84-9310009-02	LVS-95□□	Software Installation Guide

Code Verification System

LVS-9585 series

Portable Barcode Verification System



The LVS-9585 is a high-performance handheld solution for off-line barcode verification to ISO / IEC, ANSI, and GS1 standards. Featuring a high-resolution 5.0 megapixel camera, the LVS-9585 reads and analyzes linear (1D) and two-dimensional (2D) codes up to 76.19 mm wide and up to 57.15 mm tall. 1D and 2D direct part marks (DPM) of up to 44 mm x 44 mm can be verified to MIL-STD-130, ISO, and GS1 standards.

The LVS-9585 verifies multiple symbologies, including any combination of linear, 2D (Data Matrix, QR Code, and Aztec Code), and stacked linear (PDF417, MicroPDF, and Composite codes).

Powered by a 2.0 m USB 2.0 cable, the LVS-9585 verifies barcodes on a wide range of surfaces including plastics, PCBs, metal, cardboard, and shipping containers.

LVS-9585: At a Glance

- Verify a broad variety of direct part marks as well as 1D and 2D printed barcodes with a single model.
- Software automatically selects best lighting performance from integrated red or white dome and 30° angle lighting.
- Validates printed barcodes to ISO / IEC, ANSI, GS1, and UDI print quality standards.
- Validates direct part marks (DPM) to ISO, MIL-STD-130, and GS1 standards.
- Software options include Multi-Sector for verification of multiple barcodes and GS1 AI content check.
- 21 CFR Part 11 compliant-ready.
- Supports 15 languages.
- Export verification reports to Excel or SQL database.
- Includes NIST-Traceable Calibrated Conformance Standard Test Card for calibrating the system.

LVS-9585: Available Symbologies



Please see Ratings and Specifications for a complete list of supported symbologies.

ISO/ANSI for 1D

LVS-95XX series barcode verifiers inspect all nine ISO and ANSI parameters for linear (1D) barcodes, have the ability to identify blemishes, and can perform simple human-readable validation.

ISO/ANSI for 2D

The LVS-95XX series verifies 2D codes and reports all parameters as specified in the applicable symbology specification.

Analytical Tools

Equipped with numerous analytical tools to identify and evaluate barcode errors. Problems are color-coded to make problem solving easy.

Software

LVS-95XX software includes GS1 System Symbol Specification Tables. GS1 tables set standards for barcode data structure and how to maintain the quality of codes during barcode creation. OMRON Microscan offers an onlinetraining course on GS1 tables and how these apply to different organizations.

Software Upgrade: EAIV

The Enhanced Application Identifier Verification (EAIV) option verifies that all GS1 Application Identifiers, such as Expiration Date, Global Trade Item Number (GTIN), and Batch Number, embedded in the datastructure of a GS1 barcode match the data programmed in the EAIV feature by the user.

User Permission Options

Manage permissions through LVS-95XX software: Passwords are stored in a local database. All passwords are encrypted, include an expiration date, and count failed password attempts.

Manage permission through Microsoft Active Directory: User privileges are based on Microsoft authentication and LVS-95XX permissions are assigned based on group membership.

Portability

Connects to the latest Windows OS tablets.

Code Verification System LVS-9585 series

Ordering Information

Code Verification Systems

Type	Model
LVS-9585 Handheld 1D, 2D & DPM Barcode Verification, High Resolution	9585-DPM-HD
LVS-9585 Handheld 1D, 2D & DPM Barcode Verification, Red and White Light	9585-DPM

Accessories

Type	Model
EAN / UPC Calibrated Conformance Test Card	98-CAL020
GS1-128 Calibrated Conformance Test Card	98-CAL021
Data Matrix Calibrated Conformance Standard Test Card (for 9585-DPM)	98-CAL010
Data Matrix Calibrated Conformance Standard Test Card (for 9585-DPM-HD)	98-CAL022
LVS-9510 and LVS-958□ Software Upgrade Option: Multi-Sector Verification	98-SOF0039
LVS-95□□ Software Upgrade Option: Automatic Login Feature	98-SOF0056
Software Upgrade Option: EAIV (Enhanced Application Identifier Verification)	98-SOF0088
LVS-9580 Upgrade (1D / 2D to DPM)	98-SOF0095
LVS-95□□ IQ-OQ Validation Procedure Guidelines, v. 4.3 and later (includes text cards)	98-LVS0077
Validation Test Cards (25 test cards)	98-LVS-VTC

Multi Code Reader

Laser Barcode Reader

Handheld Code Reader

Code Verification System

Code Verification System LVS-9585 series

Ratings and Specifications

Multi Code Reader	Supported standards	AIAG / DAMA / JAPIA / Odette		
		ALDI		
		ISO / IEC TR 29158		
		DHL		
		FPMAJ		
		French CIP		
		GS1 General Specifications		
		HDMA Guidelines		
		Health Industry Barcode (HIBC)		
		IFAH		
		ISO / IEC 15415 / 15416		
		Italian Pharmacode		
		Japan Codabar		
		Laetus Miniature Pharmacode		
		Laetus Pharmacode		
		Laetus Standard		
		MIL-STD-130N Change 1		
	Pharmacy Product Number (PPN)			
	Automatic GS1 or ISO			
	GS1 (NTIN)			
	Miniature Pharmacode			
	Postal (EIB, USPS IMB / Code 128, POSTNET, Japan Post)			
	PZN-big, normal, small (German Pharmacode)			
	Laser Barcode Reader	GS1 US certification	Data Matrix for Healthcare	
			Data Matrix (ECC 200)	
			EAN / UPC	
			EAN / UPC and Extended Codes	
			EAN / UPC with CC	
			GS1 DataBar Omnidirectional	
			ITF-14	
			GS1 DataBar-14 with CC (formerly RSS-14 with CC)	
			UCC / EAN with Supplementals	
			UCC / EAN-128	
Laser Barcode Reader	ISO conformance standards	UCC / EAN-128 with CC		
		ISO / IEC 15415, 15416, 15418		
		ISO / IEC 15426-1, 15426-2		
Handheld Code Reader	Supported standards	ISO / IEC TR29158(DPM Cat 0, 1, 2) / AIM DPM-1-2006		
		All supported ISO / IEC symbology specifications		
		Codabar		
		Code 128, Code 39, Code 93		
		GS1 DataBar Expanded and Limited		
		DataBar		
		DataBar Expanded and Limited		
		DataBar Omnidirectional		
		DataBar Stacked and Truncated		
		EAN / JAN-13		
		EAN / JAN-8		
		Enterprise Intelligent Barcode (EIB) 4-State (4SB)		
		French CIP		
		GS1-128		
		Hanxin Code		
		HIBC		
		Interleaved 2 of 5 (ITF)		
	ITF-14			
	Japan Post			
	MaxiCode			
	MSI Plessey			
	Pharmacode-Italian and Laetus			
	PZN 7 and PZN 8			
	UPC-A and UPC-E			
	USPS-128			
	USPS Intelligent Mail Barcode (4-State Barcode)			
	Code Verification System	Supported symbologies	Aztec Code	
			DataBar with CC-A, CC-B, or CC-C	
			EAN / JAN-13 with CC-A, CC-B, or CC-C	
			EAN / JAN-8 with CC-A, CC-B, or CC-C	
			ECC-200 (Data Matrix)	
			Enterprise Intelligent Barcode (EIB) Complex Mail Data Marks (CMDM)	
			GS1-128 with CC-A, CC-B, or CC-C	
Micro QR Code				
MicroPDF417				
PDF417				
QR Code				
UPC-A with CC-A, CC-B, or CC-C				
UPC-E with CC-A, CC-B, or CC-C				
Code Verification System			Two-dimensional (2D) symbologies	

* Contact OMRON for a complete list of supported ECC-200 (Data Matrix) codes.

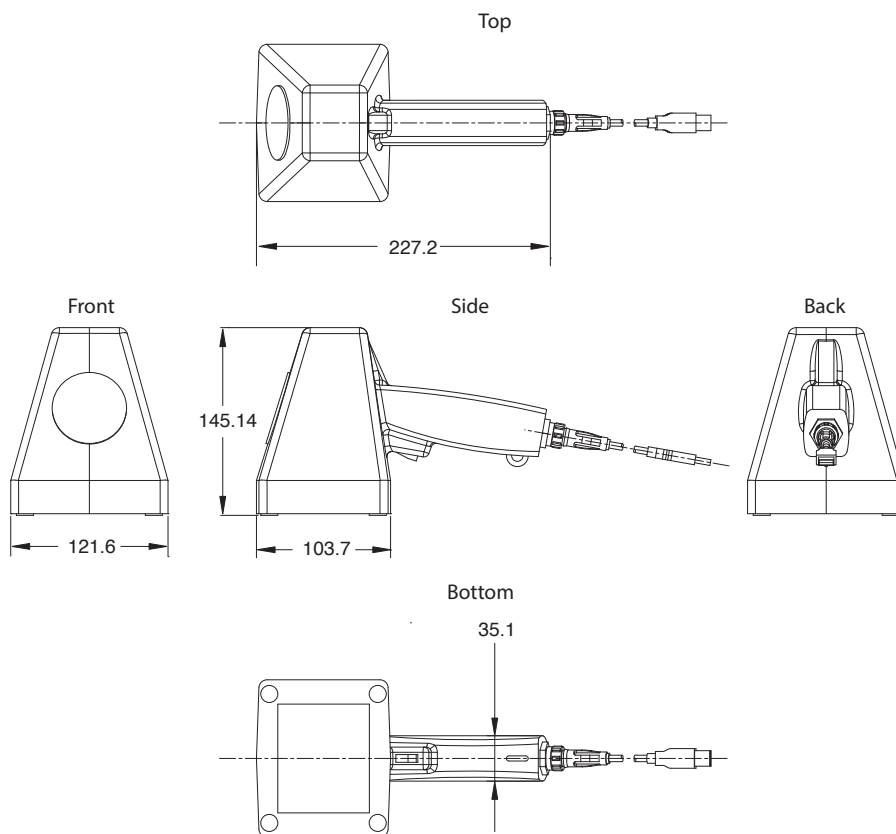
CC=Composite Components

Code Verification System LVS-9585 series

Minimum PC requirements (PC supplied by customer)		<ul style="list-style-type: none"> • Windows®7 Pro SP1 or Windows®10 Pro • Intel® Core™ i3 or higher • 4 GB RAM • 800 x 600 screen resolution; • One USB 2.0 port available per unit
Field of view	DPM (9585-DPM)	44 x 44 mm
	HD (9585-DPM-HD)	33 x 25 mm
Minimum cell size	DPM (9585-DPM)	1D = 4.0 mils (0.10 mm) 2D = 5.9 mils (0.15 mm)
	HD (9585-DPM-HD)	2D = 2.0 mils (0.05 mm)
Camera		5 million pixels
Illumination		Object distance: Contact Red dome (660 nm), white dome, 30° angle
Environmental specifications	Ambient temperature range	Operating: 4 to 46°C, Storage: -20 to 60°C
	Ambient humidity range	Operating: 20% to 80% (with no icing or condensation), Storage: 20% to 95% (with no icing or condensation)
Communications		USB 2.0 A plug to Mini-B plug cable, 2 m
Power supply		USB powered 5 VDC at 400 mA
Weight	Unpackaged standalone	Approx. 0.68 kg
	Shipping weight	Approx. 1.51 kg (Includes all cables and other items packaged in shipping box)
Dimensions		215.9 x 139.7 x 120.6 mm (H x D x W)
Calibrated Conformance Test Card (Included with system)		<ul style="list-style-type: none"> • Included with 9585-DPM: EAN / UPC Calibrated Conformance Standard Test Card • Included with 9585-DPM-HD: Data Matrix Calibrated Conformance Standard Test Card
Safety standards		FCC, CE, UL, KC, RCM

Dimensions

(Unit: mm)



Related Manuals

Man.No.	Model	Manual
84-9310001-02	LVS-95□□	Barcode Quality Station Operations Manual
84-9310009-02	LVS-95□□	Software Installation Guide

Code Verification System

LVS-9580 series

Portable Barcode Verification System

Durable, portable handheld verifier



Weights only 0.64kg

LVS-9580: At a Glance

- Stitching feature to grade barcodes larger than the field of view.
- Ideal for multiple line production and warehouse environments.
- Validates printed barcodes to ISO / IEC, ANSI, GS1, and UDI print quality standards.
- Validates direct part marks (DPM) to ISO, MIL-STD-130, and GS1 standards.
- Software upgrade options include Multi-Sector for verification of multiple barcodes on a label.
- 21 CFR Part 11 compliant-ready.
- Supports 15 languages.
- Quality data reporting for auditing purposes.
- Includes NIST-Traceable Calibrated Conformance Standard Test Card for calibrating the system.

LVS-9580: Available Symbolologies



Please see the Ratings and Specifications for a complete list of supported symbolologies.

The LVS-9580 is a high-performance handheld solution for off-line barcode verification to ISO / IEC, ANSI, GS1, and UDI standards. Featuring a high-resolution 5.0 megapixel camera, the LVS-9580 reads and analyzes linear (1D) and two-dimensional (2D) codes up to 76.19 mm wide and up to 57.15 mm tall. 1D and 2D direct part marks (DPM) of up to 44 mm x 44 mm can be verified to MIL-STD-130, ISO, and GS1 standards.

The LVS-9580 verifies multiple symbologies, including any combination of linear, 2D (Data Matrix, QR Code, and Aztec Code), and stacked linear (PDF417, MicroPDF, and Composite codes).

Powered by a 2.0 m USB 2.0 cable, the LVS-9580 verifies barcodes on a wide range of surfaces including plastics, PCBs, metal, cardboard, and shipping containers.

ISO/ANSI for 1D

LVS-95XX series barcode verifiers inspect all nine ISO and ANSI parameters for linear (1D) barcodes, have the ability to identify blemishes, and can perform simple human-readable validation.

ISO/ANSI for 2D

The LVS-95XX series verifies 2D codes and reports all parameters as specified in the applicable symbology specification.

Analytical Tools

Equipped with numerous analytical tools to identify and evaluate barcode errors. Problems are color-coded to make problem solving easy.

Software

LVS-95XX software includes GS1 System Symbol Specification Tables. GS1 tables set standards for barcode data structure and how to maintain the quality of codes during barcode creation. OMRON Microscan offers an online training course on GS1 tables and how these apply to different organizations.

Software Upgrade: EAIV

The Enhanced Application Identifier Verification (EAIV) option verifies that all GS1 Application Identifiers, such as Expiration Date, Global Trade Item Number (GTIN), and Batch Number, embedded in the data structure of a GS1 barcode match the data programmed in the EAIV feature by the user.

User Permission Options

Manage permissions through LVS-95XX software: Passwords are stored in a local database. All passwords are encrypted, include an expiration date, and count failed password attempts.

Manage permissions through Microsoft Active Directory: User privileges are based on Microsoft authentication and LVS-95XX permissions are assigned based on group membership.

Portability

Connects to the latest Windows OS tablets.

Code Verification System LVS-9580 series

Ordering Information

Code Verification Systems

Type	Model
LVS-9580 Handheld 1D & 2D Barcode Verification	9580-C-3
LVS-9580 Handheld 1D, 2D & DPM Barcode Verification	9580-DPM
LVS-9580 Handheld 1D, 2D & DPM Barcode Verification, High Resolution	9580-DPM-HD

Accessories

Type	Model
EAN / UPC Calibrated Conformance Test Card	98-CAL020
GS1-128 Calibrated Conformance Test Card	98-CAL021
Data Matrix Calibrated Conformance Standard Test Card (for 9580-C-3 / 9580-DPM)	98-CAL010
Data Matrix Calibrated Conformance Standard Test Card (for 9580-DPM-HD)	98-CAL022
LVS-9510 and LVS-9580 Software Upgrade Option: Multi-Sector Verification	98-SOF0039
LVS-9500 Software Upgrade Option: Automatic Login Feature	98-SOF0056
Software Upgrade Option: EAIV (Enhanced Application Identifier Verification)	98-SOF0088
LVS-9580 Upgrade (1D / 2D to DPM)	98-SOF0095
LVS-9500 IQ-OQ Validation Procedure Guidelines, v. 4.3 and later (includes text cards)	98-LVS0077
Validation Test Cards (25 test cards)	98-LVS-VTC

Ratings and Specifications

Supported standards	Application standards	GS1 (NTIN)	ISO conformance standards
	AIAG / DAMA / JAPIA / Odette		
	ALDI		
	ISO / IEC TR 29158		
	DHL		
	FPMAJ		
	French CIP		
	GS1 General Specifications		
	HDMA Guidelines		
	Health Industry Barcode (HIBC)		
	IFAH		
	ISO / IEC 15415 / 15416		
	Italian Pharmacode		
	Japan Codabar		
	Laetus Miniature Pharmacode		
	Laetus Pharmacode		
	Laetus Standard		
	MIL-STD-130N Change 1		
	Pharmacy Product Number (PPN)		
	Automatic GS1 or ISO		
	GS1 (NTIN)		
	Miniature Pharmacode		
	Postal (EIB, USPS IMB / Code 128, POSTNET, Japan Post)		
	PZN-big normal small (German Pharmacode)		
	Data Matrix for Healthcare		
	Data Matrix (ECC 200)		
	EAN / UPC		
	EAN / UPC and Extended Codes		
	EAN / UPC with CC		
	GS1 DataBar Omnidirectional		
	ITF-14		
	GS1 DataBar-14 with CC (formerly RSS-14 with CC)		
	UCC / EAN with Supplementals		
	UCC / EAN-128		
	UCC / EAN-128 with CC		
	ISO / IEC 15415, 15416, 15418		
	ISO / IEC 15426-1, 15426-2		
	ISO / IEC TR29158 (DPM Cat 0) / AIM DPM-1-2006		
	All supported ISO/IEC symbology specifications		

Multi Code Reader

Laser Barcode Reader

Handheld Code Reader

Code Verification System

Code Verification System LVS-9580 series

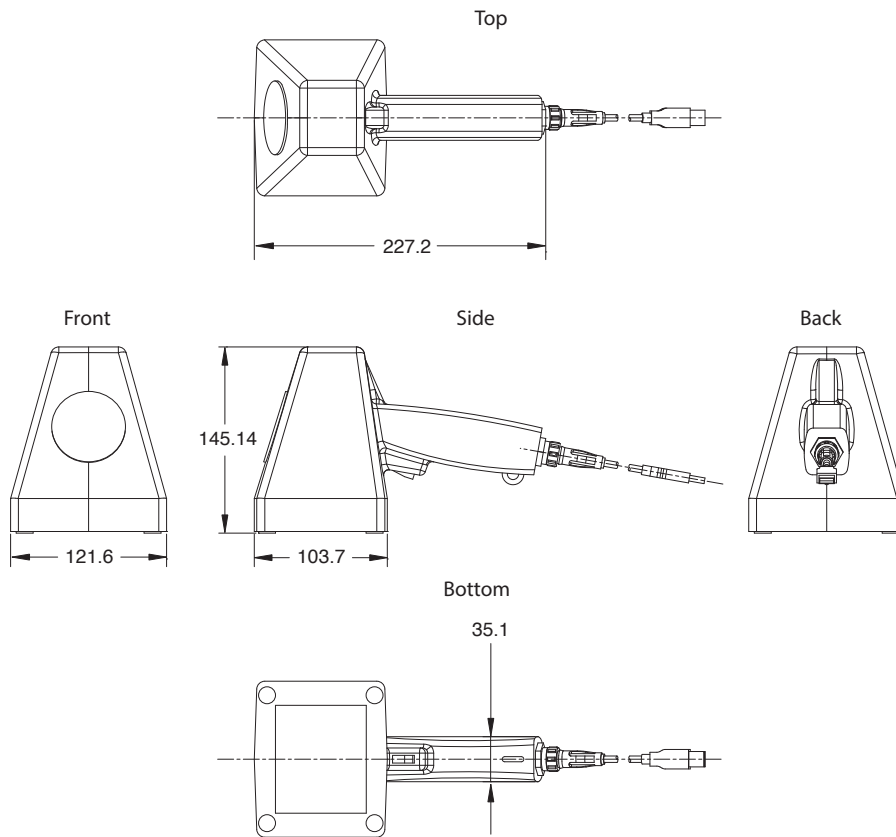
Multi Code Reader	Supported symbologies	Linear (1D) symbologies	Codabar
			Code 128 Code 39 Code 93
			GS1 DataBar Expanded and Limited
			DataBar
			DataBar Expanded and Limited
			DataBar Omnidirectional
			DataBar Stacked and Truncated
			EAN / JAN-13
			EAN / JAN-8
			Enterprise Intelligent Barcode (EIB) 4-State (4SB)
			French CIP
			GS1-128
			Hanxin Code
			HIBC
			Interleaved 2 of 5 (ITF)
			ITF-14
			Japan Post
		MaxiCode	
		MSI Plessey	
		Pharmacode-Italian and Laetus	
		PZN 7 and PZN 8	
		UPC-A and UPC-E	
		USPS-128	
		USPS Intelligent Mail Barcode (4-State Barcode)	
		Two-dimensional (2D) symbologies	Aztec Code
			DataBar with CC-A, CC-B, or CC-C
			EAN / JAN-13 with CC-A, CC-B, or CC-C
			EAN / JAN-8 with CC-A, CC-B, or CC-C
			ECC-200 (Data Matrix)
			Enterprise Intelligent Barcode (EIB) Complex Mail Data Marks (CMDM)
			GS1-128 with CC-A, CC-B, or CC-C
			Micro QR Code
			MicroPDF417
PDF417			
QR Code			
UPC-A with CC-A, CC-B, or CC-C			
UPC-E with CC-A, CC-B, or CC-C			
Minimum PC requirements (PC supplied by customer)	<ul style="list-style-type: none"> • Windows®7 Pro SP1 or Windows®10 Pro • Intel® Core™ i3 or higher • 4 GB RAM • 800 x 600 screen resolution • One USB 2.0 port available per unit 		
Field of view	Standard (9580-C-3)		76.19 mm horizontal 57.15 mm vertical
	DPM (9580-DPM)		44 x 44 mm
	HD (9580-DPM-HD)	33 x 25 mm	
Minimum cell size	Standard (9580-C-3)	1D = 4.0 mils (0.10 mm)	
	DPM (9580-DPM)	2D = 5.9 mils (0.15 mm)	
	HD (9580-DPM-HD)	2D = 2.0 mils (0.05 mm)	
Camera	5 million pixels		
	Object distance: Contact		
illumination	Red dome (660 nm)		
Environmental specifications	Ambient temperature range	Operating: 4 to 46°C, Storage: -20 to 60°C	
	Ambient humidity range	Operating: 20% to 80% (with no icing or condensation), Storage: 20% to 95% (with no icing or condensation)	
Communications	USB 2.0 A plug to Mini-B plug cable, 2 m		
Power supply	USB powered 5 VDC at 400 mA		
Weight	Unpackaged standalone	Approx. 0.64 kg	
	Shipping weight	Approx. 1.81 kg (includes all cables and other items packaged in shipping box)	
Dimensions	215.9 x 139.7 x 120.6 mm (H x D x W)		
Calibrated Conformance Test Card (Included with system)	<ul style="list-style-type: none"> • Included with 9580-C-3: EAN / UPC Calibrated Conformance Standard Test Card • Included with 9580-DPM: EAN / UPC Calibrated Conformance Standard Test Card • Included with 9580-DPM-HD: Data Matrix Calibrated Conformance Standard Test Card 		
Safety standards	FCC, CE, UL, KC, RCM		

* Contact OMRON for a complete list of supported ECC-200 (Data Matrix) codes.

CC=Composite Components

Dimensions

(Unit: mm)



Multi Code Reader

Laser Barcode Reader

Handheld Code Reader

Code Verification System

Related Manuals

Man.No.	Model	Manual
84-9310001-02	LVS-95□□	Barcode Quality Station Operations Manual
84-9310009-02	LVS-95□□	Software Installation Guide

Terms and Conditions Agreement

Read and understand this catalog.

Please read and understand this catalog before purchasing the products. Please consult your OMRON representative if you have any questions or comments.

Warranties.

(a) Exclusive Warranty. Omron's exclusive warranty is that the Products will be free from defects in materials and workmanship for a period of twelve months from the date of sale by Omron (or such other period expressed in writing by Omron). Omron disclaims all other warranties, express or implied.

(b) Limitations. OMRON MAKES NO WARRANTY OR REPRESENTATION, EXPRESS OR IMPLIED, ABOUT NON-INFRINGEMENT, MERCHANTABILITY OR FITNESS FOR A PARTICULAR PURPOSE OF THE PRODUCTS. BUYER ACKNOWLEDGES THAT IT ALONE HAS DETERMINED THAT THE PRODUCTS WILL SUITABLY MEET THE REQUIREMENTS OF THEIR INTENDED USE.

Omron further disclaims all warranties and responsibility of any type for claims or expenses based on infringement by the Products or otherwise of any intellectual property right. (c) Buyer Remedy. Omron's sole obligation hereunder shall be, at Omron's election, to (i) replace (in the form originally shipped with Buyer responsible for labor charges for removal or replacement thereof) the non-complying Product, (ii) repair the non-complying Product, or (iii) repay or credit Buyer an amount equal to the purchase price of the non-complying Product; provided that in no event shall Omron be responsible for warranty, repair, indemnity or any other claims or expenses regarding the Products unless Omron's analysis confirms that the Products were properly handled, stored, installed and maintained and not subject to contamination, abuse, misuse or inappropriate modification. Return of any Products by Buyer must be approved in writing by Omron before shipment. Omron Companies shall not be liable for the suitability or unsuitability or the results from the use of Products in combination with any electrical or electronic components, circuits, system assemblies or any other materials or substances or environments. Any advice, recommendations or information given orally or in writing, are not to be construed as an amendment or addition to the above warranty.

See <http://www.omron.com/global/> or contact your Omron representative for published information.

Limitation on Liability; Etc.

OMRON COMPANIES SHALL NOT BE LIABLE FOR SPECIAL, INDIRECT, INCIDENTAL, OR CONSEQUENTIAL DAMAGES, LOSS OF PROFITS OR PRODUCTION OR COMMERCIAL LOSS IN ANY WAY CONNECTED WITH THE PRODUCTS, WHETHER SUCH CLAIM IS BASED IN CONTRACT, WARRANTY, NEGLIGENCE OR STRICT LIABILITY.

Further, in no event shall liability of Omron Companies exceed the individual price of the Product on which liability is asserted.

Suitability of Use.

Omron Companies shall not be responsible for conformity with any standards, codes or regulations which apply to the combination of the Product in the Buyer's application or use of the Product. At Buyer's request, Omron will provide applicable third party certification documents identifying ratings and limitations of use which apply to the Product. This information by itself is not sufficient for a complete determination of the suitability of the Product in combination with the end product, machine, system, or other application or use. Buyer shall be solely responsible for determining appropriateness of the particular Product with respect to Buyer's application, product or system. Buyer shall take application responsibility in all cases.

NEVER USE THE PRODUCT FOR AN APPLICATION INVOLVING SERIOUS RISK TO LIFE OR PROPERTY OR IN LARGE QUANTITIES WITHOUT ENSURING THAT THE SYSTEM AS A WHOLE HAS BEEN DESIGNED TO ADDRESS THE RISKS, AND THAT THE OMRON PRODUCT(S) IS PROPERLY RATED AND INSTALLED FOR THE INTENDED USE WITHIN THE OVERALL EQUIPMENT OR SYSTEM.

Programmable Products.

Omron Companies shall not be responsible for the user's programming of a programmable Product, or any consequence thereof.

Performance Data.

Data presented in Omron Company websites, catalogs and other materials is provided as a guide for the user in determining suitability and does not constitute a warranty. It may represent the result of Omron's test conditions, and the user must correlate it to actual application requirements. Actual performance is subject to the Omron's Warranty and Limitations of Liability.

Change in Specifications.

Product specifications and accessories may be changed at any time based on improvements and other reasons. It is our practice to change part numbers when published ratings or features are changed, or when significant construction changes are made. However, some specifications of the Product may be changed without any notice. When in doubt, special part numbers may be assigned to fix or establish key specifications for your application. Please consult with your Omron's representative at any time to confirm actual specifications of purchased Product.

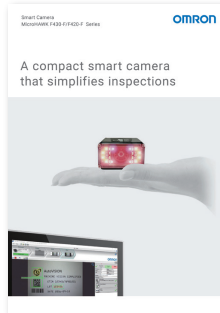
Errors and Omissions.

Information presented by Omron Companies has been checked and is believed to be accurate; however, no responsibility is assumed for clerical, typographical or proofreading errors or omissions.

Related products

Smart Camera MicroHAWK F430-F/F420-F Series

- A single camera performing powerful inspection tasks and code reading
- Multiple cameras in one to enhance precision
- A single camera covering multiple parts that vary in size
- A single screen makes settings adjustments easy



Please see our product catalog for details.
Cat. No. Q272

Parts included in this catalog are designed exclusively for use with industrial machines. Because this product does not fall under the scope of the Electrical Appliance and Material Safety Act, it cannot be connected to power supply equipment in houses, shops, small offices, etc. for use. Contact an OMRON sales representative for more information.

·EtherNet/IP™ is a trademark of ODVA.

·QR code is the registered trademark of DENSO WAVE.

·Windows is registered trademarks or trademarks of Microsoft Corporation in the United States and/or other countries.

·Intel and the Intel logo are trademarks of Intel Corporation in the U.S. and/or other countries.

·Other company names and product names in this document are the trademarks or registered trademarks of their respective companies.

·The product photographs and figures that are used in this catalog may vary somewhat from the actual products.

Note: Do not use this document to operate the Unit.

OMRON Corporation Industrial Automation Company
Kyoto, JAPAN

Contact: www.ia.omron.com

Regional Headquarters

OMRON EUROPE B.V.

Wegalaan 67-69, 2132 JD Hoofddorp
The Netherlands
Tel: (31)2356-81-300/Fax: (31)2356-81-388

OMRON ASIA PACIFIC PTE. LTD.

No. 438A Alexandra Road # 05-05/08 (Lobby 2),
Alexandra Technopark,
Singapore 119967
Tel: (65) 6835-3011/Fax: (65) 6835-2711

OMRON ELECTRONICS LLC

2895 Greenspoint Parkway, Suite 200
Hoffman Estates, IL 60169 U.S.A.
Tel: (1) 847-843-7900/Fax: (1) 847-843-7787

OMRON (CHINA) CO., LTD.

Room 2211, Bank of China Tower,
200 Yin Cheng Zhong Road,
PuDong New Area, Shanghai, 200120, China
Tel: (86) 21-5037-2222/Fax: (86) 21-5037-2200

Authorized Distributor:

© OMRON Corporation 2018-2020 All Rights Reserved.
In the interest of product improvement,
specifications are subject to change without notice.

CSM_3_3
Cat. No. Q263-E1-05

0620 (1118)