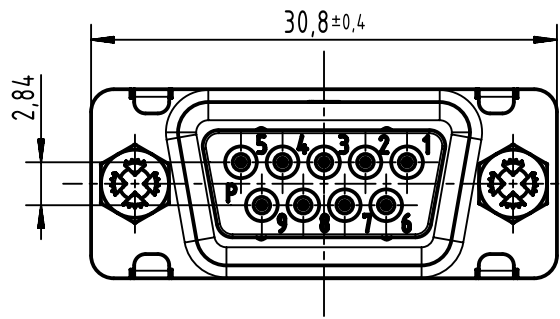
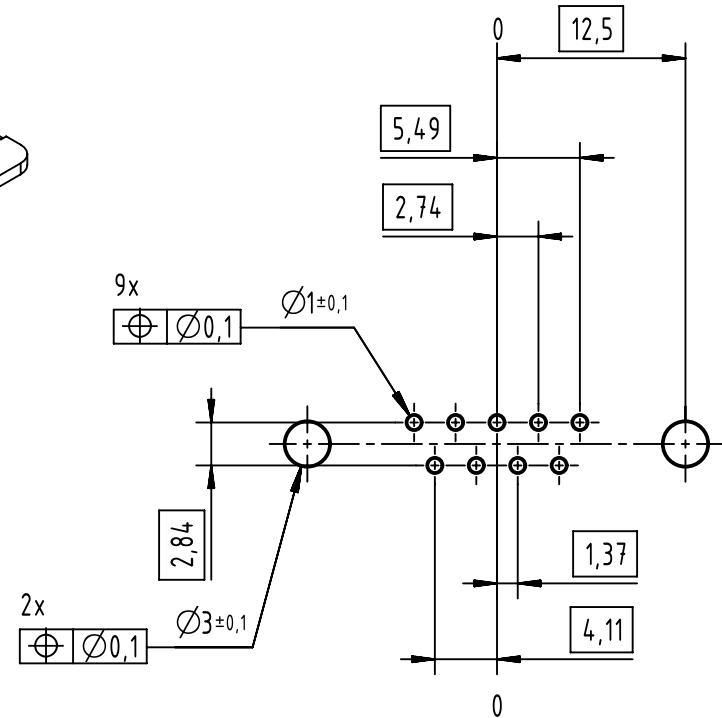


PCB layout view component side



	All rights reserved Department EC PD - FR	All Dimensions in mm Original Size DIN A4		Scale 2:1	Free size tol.	Ref.
		HARTING Electronics GmbH D-32339 Espelkamp	Created by ZHUANGJ	Inspected by LUOK	Standardisation SCHREIER	Date 2020-08-12
Title D-Sub 09-pole MinD STR male BL nut M3 PL2						Doc-Key / ECM-Nr. 100905870/UGD/000/A 500000177376
Type TB				Number 09671616701		Rev. A
						Page 1/1