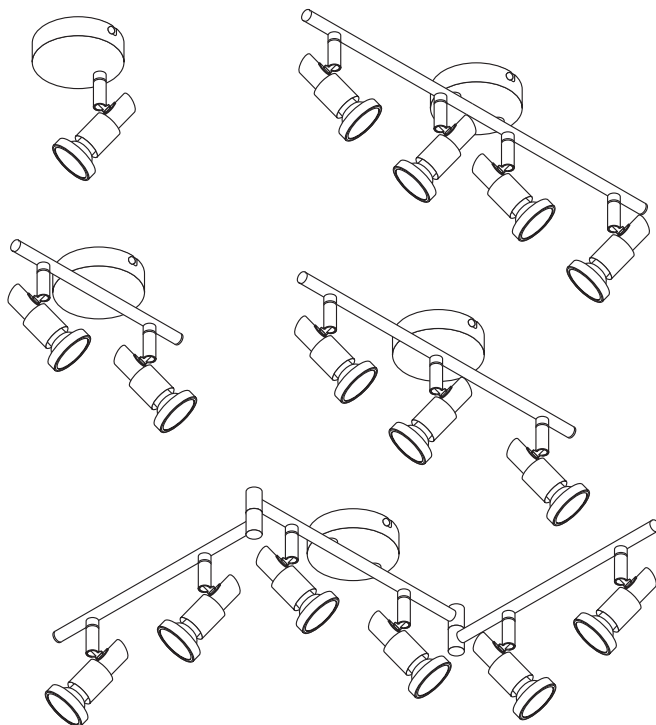

LED SPOT GU10

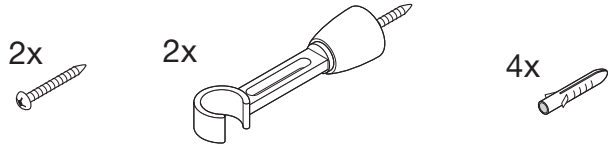


	EAN	W	max. W (LED)	lm	K	°C	V~	mA	Hz	PF
LED SPOT 2,6W 230V GU10	4058075540507	2.6	7	230	2700	-20...+40	220-240	25	50/60	>0.4
LED SPOT 2X2,6W 230V GU10	4058075540545	2x2.6	2x7	460	2700	-20...+40	220-240	50	50/60	>0.4
LED SPOT 3X2,6W 230V GU10	4058075540569	3x2.6	3x7	690	2700	-20...+40	220-240	75	50/60	>0.4
LED SPOT 4X2,6W 230V GU10	4058075540583	4x2.6	4x7	920	2700	-20...+40	220-240	100	50/60	>0.4
LED SPOT 6X2,6W 230V GU10	4058075540606	6x2.6	6x7	1380	2700	-20...+40	220-240	150	50/60	>0.4

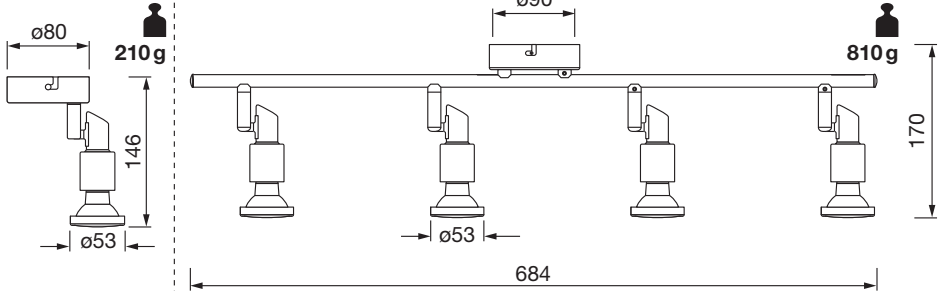
LED SPOT 1x2.6W
2x2.6W
3x2.6W
4x2.6W



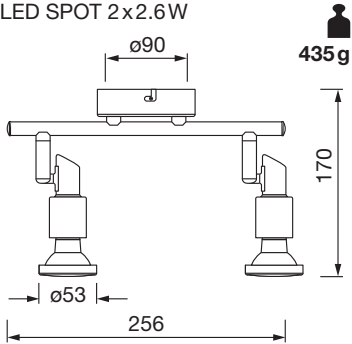
LED SPOT 6x2.6W



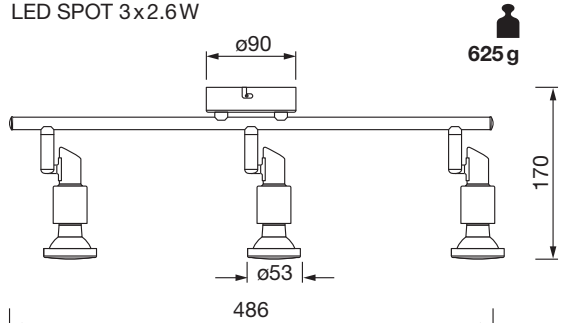
LED SPOT 1x2.6W LED SPOT 4x2.6W



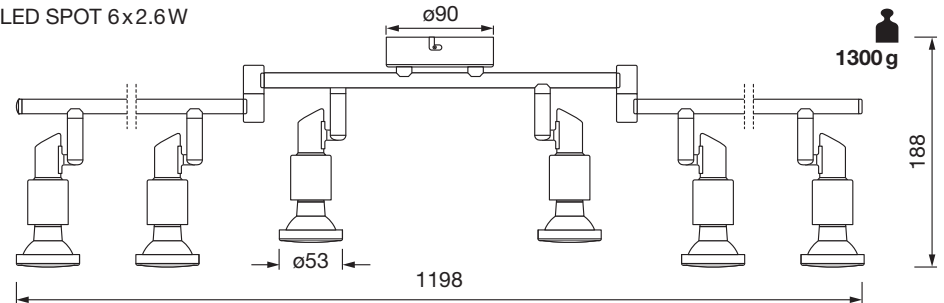
LED SPOT 2x2.6W

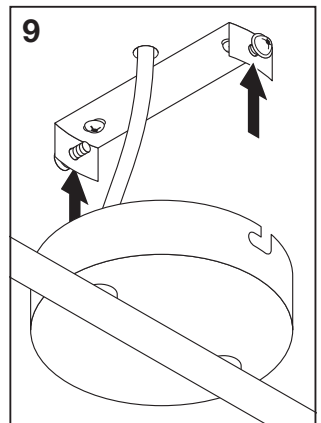
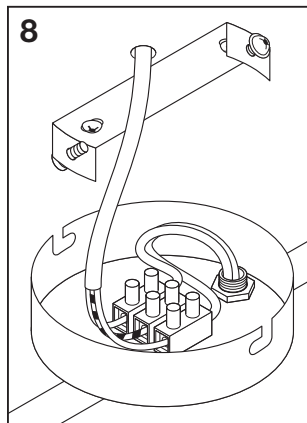
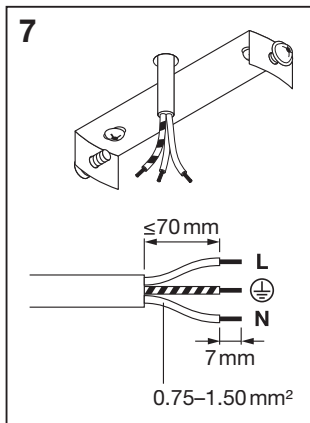
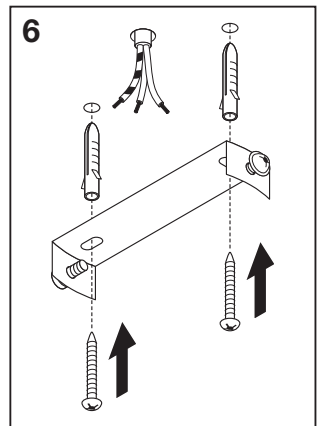
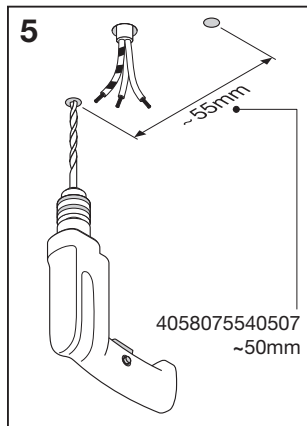
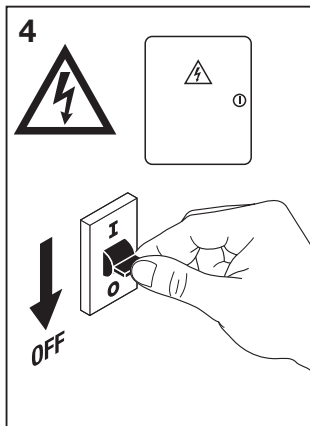
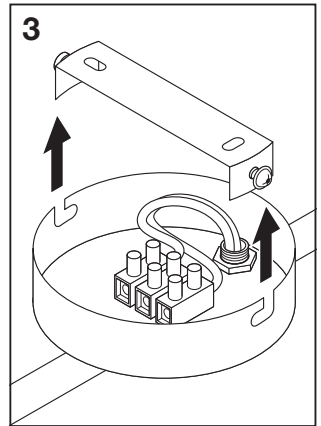
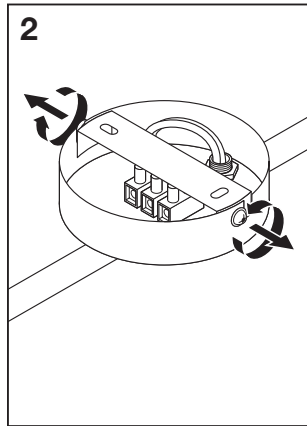
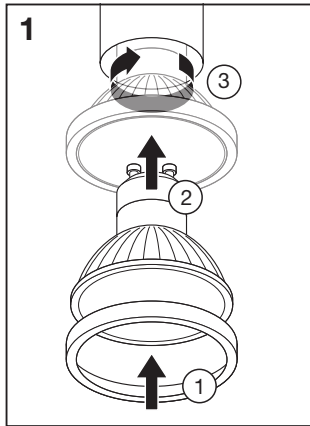


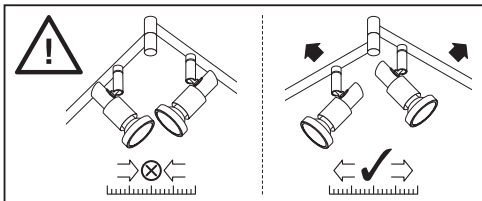
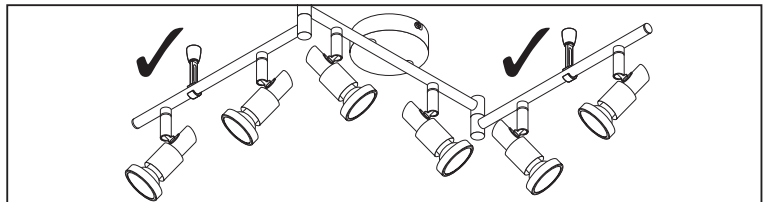
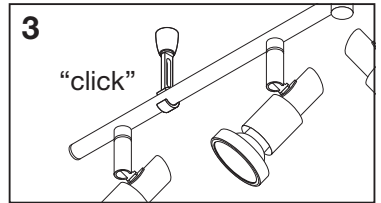
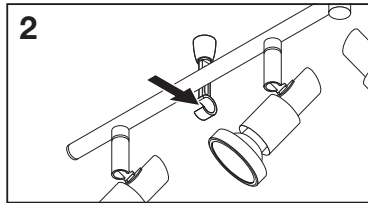
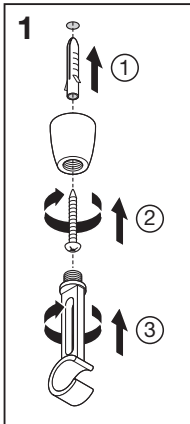
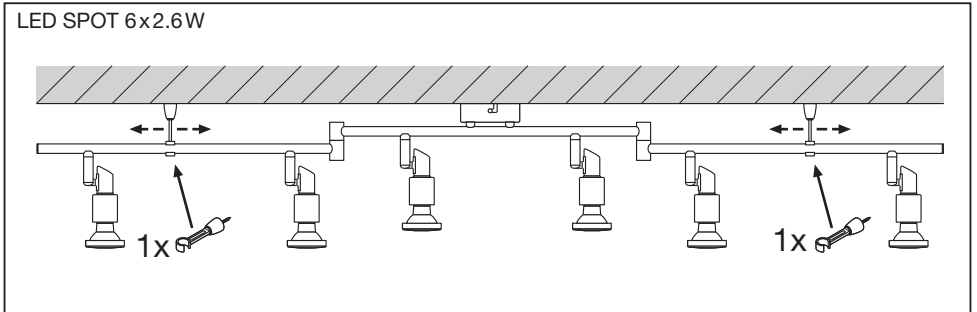
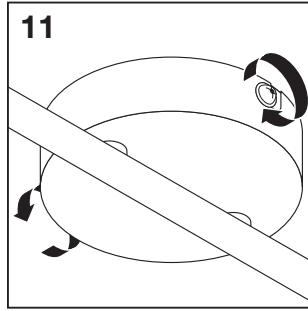
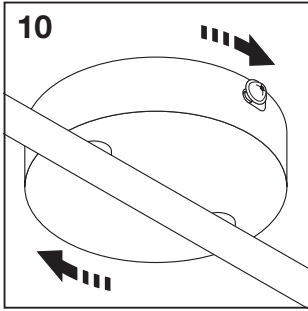
LED SPOT 3x2.6W



LED SPOT 6x2.6W







C10449057
G11117519
13.04.2021



LEDVANCE GmbH
Steinerne Furt 62
86167 Augsburg, Germany
www.ledvance.com