

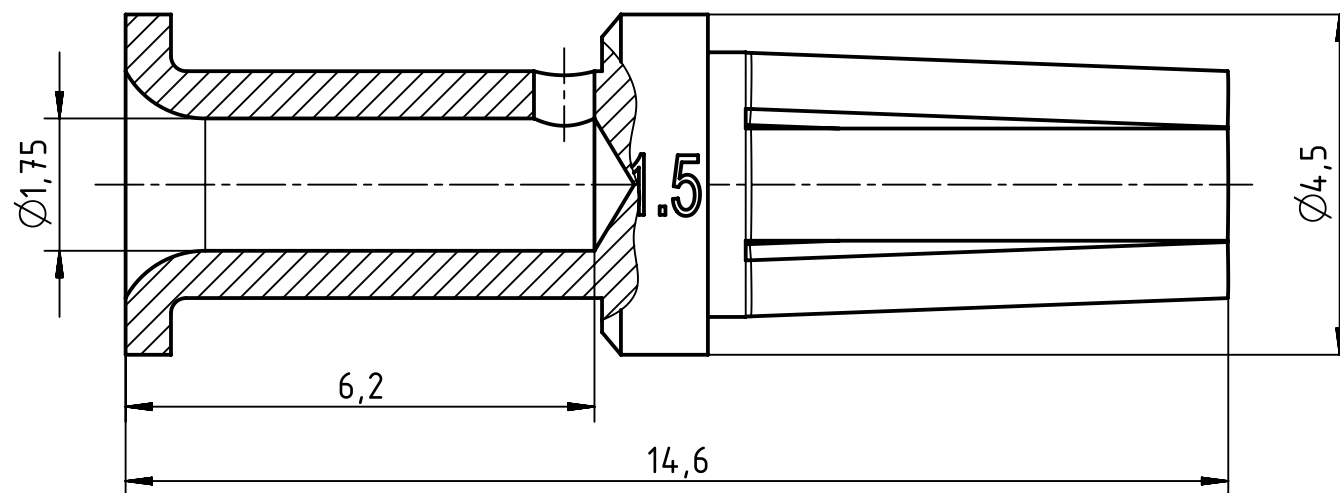
1 2 3 4 5 6

A

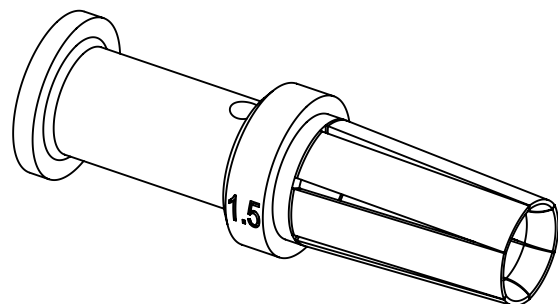
B


C

D



wire gauge: 1,5mm<sup>2</sup> / AWG 16  
 stripping length: 6,5mm  
 coating: silver plated



	All rights reserved Department EL PD - DE	All Dimensions in mm Original Size DIN A4		Scale 10:1	Free size tol.		Ref.		
		HARTING Electric GmbH & Co. KG D-32339 Espelkamp		Created by HELLMANN	Inspected by RIEPE	Standardisation RUETERA	Date 2017-09-25	State Final Release	
Title Han-Yellock F-c 1.5mm <sup>2</sup> (Ag)							Doc-Key / ECM-Nr. 100188827/UGD/007/F 500000125260		
Type TB			Number 11 05 000 6205				Rev. F	Page 1/1	