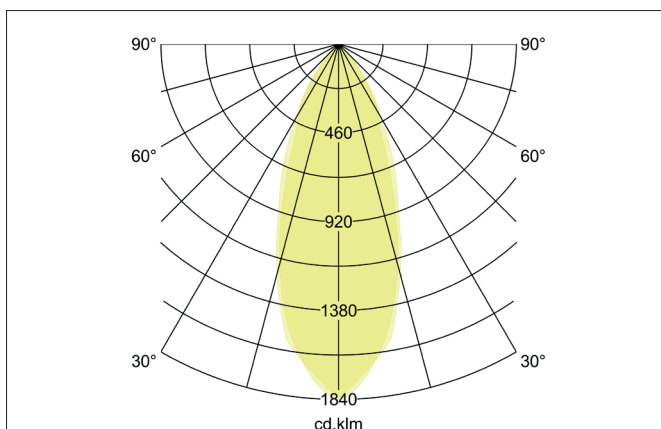
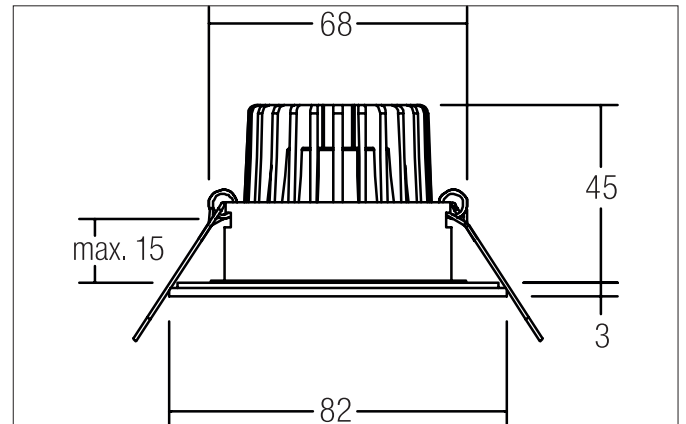


**ITANSA-R BB15 LED recessed downlight set, V4A, IP54, on/off switchable**

Article no. 38375073

Light.  
For Generations.**Tender**

LED recessed downlight set, V4A, IP54, on/off switchable, Round. Toolless ceiling installation by installation springs. Ceiling cut-out Ø 68 mm, Installation depth 45 mm, Outer diameter 82 mm, Weight 0,244 kg, Reflector silver with rotationssymmetrical, deep, wide distributed light intensity. optimal light distribution due to a glass transparent cover. Luminous flux 680 lm, Power 1 x 6 W, System Efficiency 113 lm/W, Light colour warm white, Correlated color temprature (CCT) 3.000 K, Colour rendering index CRI > 80, Rated life time L80/B20 at 25 °C: 50000 h, Housing material: Stainless steel / Aluminium / Glass, Colour: White, Permissible ambient temperature (ta): -20 °C - +25 °C, Protection class (EN 61140): II, Degree of protection (DIN EN 60529): IP54 when installing in closed ceilings. With electronic driver, on/off switchable.

Article data	
Article no.	38375073
GTIN	4251433933489
Series name	ITANSA-R BB15
Short description	LED recessed downlight set, V4A, IP54, on/off switchable
Material	Stainless steel / Aluminium / Glass
Colour	White
Type of surface	Matt
Shape	Round
Outer diameter	82 mm
Built-in diameter	68 mm
Installation depth	45 mm
Hight	3 mm
Weight	0.244 kg

**ITANSA-R BB15 LED recessed downlight set, V4A, IP54, on/off switchable**

Article no. 38375073

Light.  
For Generations.

Lighting technology	
Colour temperature	3.000 K
Light colour	White
Light output	Direct
Luminous flux	680 lm
System efficiency	113 lm/W
Colour rendering	CRI > 80
Reflector	High-gloss
Reflektorfarbe	silver
Beam angle	38°
Light sharing	Symmetric

Operating technology of the luminaire	
Lamp holder	Plug&Play
Power	6 W
Voltage type	DC
Current	350 mA
Lamp	LED
Protection class	III
Degree of protection	IP20

Operating technology of driver	
Length	68 mm
Length	68 mm
Width	35 mm
Width	35 mm
Hight	21 mm
Hight	21 mm
AC nominal voltage min	220 V
AC nominal voltage max	240 V
Frequenz max.	50 Hz
Frequenz max.	50 Hz
Dimmable	No
Control	on/off
Starting current	10 A (max.10ms)
Power min	1 W
Power	7.2 W
Current	350 mA
Degree of protection	IP20
Protection class	II
Flickerfrei	Yes

Mounting technology	
Mounting method	Recessed mounting
Place of installation	Ceiling-mounted
Adjustability	Not adjustable
Max. ceiling thickness	15 mm
Further references	V4A No cover with thermal insulation material
Material cover	Glass transparent
Circlip	Without circlip
Suitable for through-wiring	Yes, with optional accessories

**ITANSA-R BB15 LED recessed downlight set, V4A, IP54, on/off switchable**

Article no. 38375073

Light.  
For Generations.

Packing data	
Gross weight	0.28 kg
Length of packaging	95 mm
Packaging width	75 mm
Packaging height	95 mm
Disposal at end of life	<p>This product must not be disposed of with household waste. You are obliged, to dispose of such electrical waste separately.</p> <p>By disposing of electrical waste and other old or defective electronics separately, you support recycling or other forms of re-use. In that way you help to take care and to avoid that harmful substances get into the environment.</p>