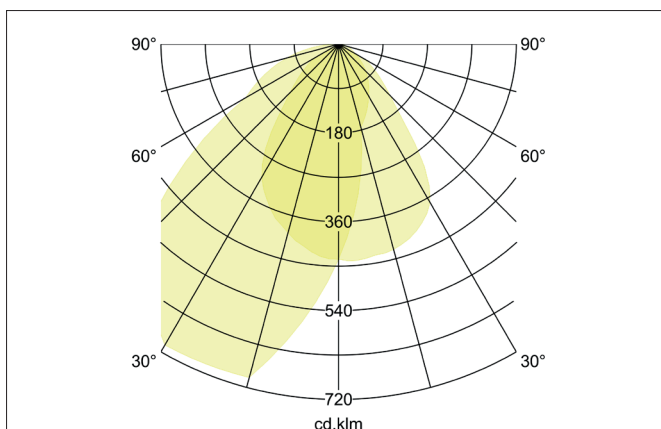
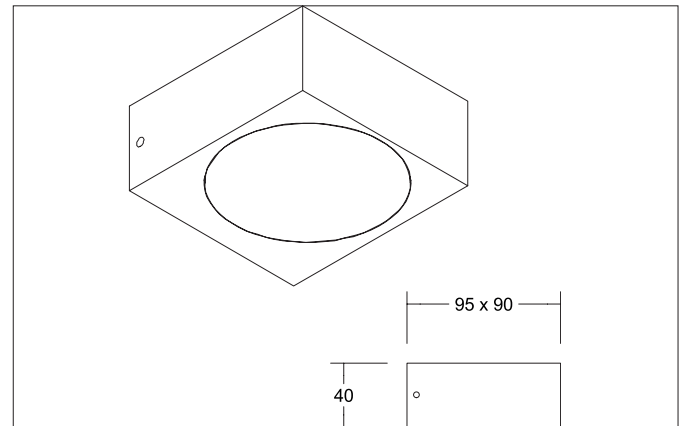


QUADER LED wall surface mounted luminaire, IP65, direct
Article no. 10120103

Light.
For Generations.



Tender

LED wall surface mounted luminaire, IP65, direct, Square. Ceiling cut-out Installation depth mm, Length mm, Width 90 mm, Weight 0,491 kg, asymmetric, Luminous flux 310 lm, Power 1 x 5 W, System Efficiency 62 lm/W, Light colour warm white, Correlated color temperature (CCT) 3.000 K, Colour rendering index CRI > 80, Housing material: Aluminium / Glass, Colour: Graphite, Permissible ambient temperature (ta): -20 °C - +25 °C, Protection class (EN 61140): I, Degree of protection (DIN EN 60529): IP65. With electronic driver, on/

Article data	
Article no.	10120103
GTIN	4251433926191
Series name	QUADER
Short description	LED wall surface mounted luminaire, IP65, direct
Material	Aluminium / Glass
Colour	Graphite
Shape	Square
Length	
Width	90 mm
Height	40 mm
Scope of delivery	Incl. converter for connection to the 230-V mains voltage
Weight	0.491 kg

QUADER LED wall surface mounted luminaire, IP65, direct
Article no. 10120103

Light.
For Generations.

Lighting technology	
Colour temperature	3000 K
Light colour	White
Luminous flux	310 lm
System efficiency	62 lm/W
Colour rendering	CRI > 80
Reflector	Without
Beam angle	60°
Light sharing	Asymmetric

Operating technology of the luminaire	
System output	5 W
Voltage type	AC
AC nominal voltage max	230 V
Frequenz max.	50 Hz
Lamp	LED
Protection class	I
Degree of protection	IP65
Control	on/off
Bulb change possible	Yes

Mounting technology	
Mounting method	Surface mounting
Place of installation	Wall-mounted
Adjustability	Not adjustable

Packing data	
Gross weight	0.588 kg
Length of packaging	150 mm
Packaging width	120 mm
Packaging height	60 mm
Disposal at end of life	This product must not be disposed of with household waste. You are obliged, to dispose of such electrical waste separately. By disposing of electrical waste and other old or defective electronics separately, you support recycling or other forms of re-use. In that way you help to take care and to avoid that harmful substances get into the environment.