

## Panel mounting appliance inlet - with hinged cover



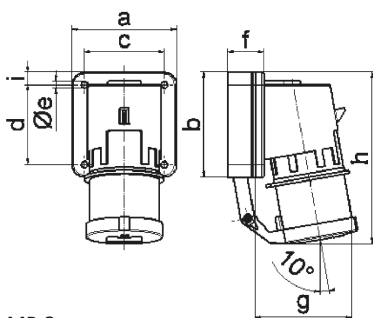
Product description	
BALS-Prd.-Nr	2626
EAN	4024941026260
Product category	GT surface mounting appliance inlet
Current	16A
Number of poles	3p
Poles	2P+PE
Position of earth contact	6 h
Voltage	200 up to 250V
Frequency	50 and 60Hz

Product description	
Protection degree	IP44
Colour code	blue RAL 5015
Colour of appliance	Hinged lid grey RAL 7035, Collar blue RAL 5015, Enclosure grey RAL 7035
Connection design	with screw terminal
Maximum conductor size	2,5 qmm
Cable entry	other
Height	132mm
Width	74mm
Depth	80mm
Flange size vertical	84mm
Flange size horizontal	74mm
Drill hole distance vertical	64mm
Drill hole distance horizontal	58mm
Material of enclosure	Polyamide
Contact	The contact carrier is made of polyamide, the contacts are brass nickel plated

Additional technical properties	
	With hinged lid

Logistics data	
Weight/pcs	0.161 kg / Piece

Logistics data	
Packaging	Bag
Content amount	1 ST
EAN	4024941026260
Length	80 mm
Width	74 mm
Height	132 mm
Weight	0.162 kg
Volume	781.44 ccm
Packaging	Carton
Content amount	10 ST
EAN	4024941969024
Length	245 mm
Width	177 mm
Height	185 mm
Weight	1.743 kg
Volume	7,140 ccm



5 MB 2

Ampere Polzahl	16 3	16 4	16 5	32 3	32 4	32 5
a	74,0	75,0	84,0	90,0	90,0	90,0
b	84,0	100,0	84,0	75,0	75,0	75,0
c	58,0	62,0	64,0	78,0	78,0	78,0
d	64,0	74,0	64,0	45,0	45,0	45,0
e ø	5,5	4,3	5,5	5,5	5,5	5,5
f	12,0	12,0	29,0	29,0	29,0	29,0
g	78,0	88,0	105,0	114,0	114,0	115,0
h	134,0	151,0	138,0	149,0	149,0	150,0
i	-	-	-	13,0	13,0	13,0
Leiter mm <sup>2</sup> min	1	1	1	2,5	2,5	2,5
Leiter mm <sup>2</sup> max	2,5	2,5	2,5	6	6	6