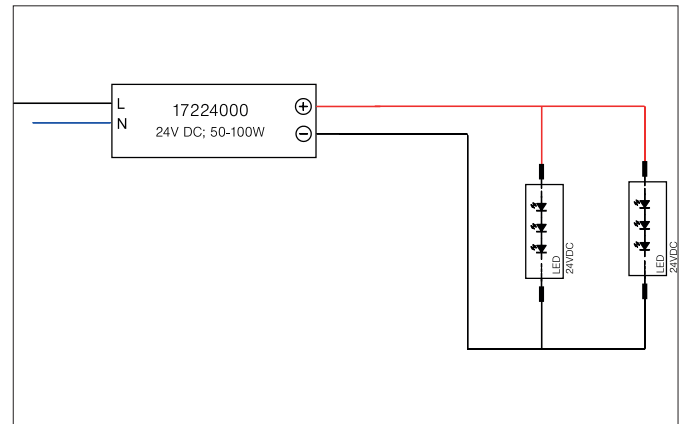


LED power supply 24 V DC, on/off switchable

Article no. 17224000

Light.
For Generations.



Tender

LED power supply 24 V DC, on/off. This power supply unit is equipped with safety devices which protect it against overvoltage, short-circuit as well as thermal and electric overloads. Material: Aluminium, Degree of protection: according to DIN EN 60529 IP65, Protection class: (EN 61140) I, Voltage: 24V, Power: 100W, Control: on/off.

Article data	
Article no.	17224000
GTIN	4251433913030
Short description	LED power supply 24 V DC, on/off switchable
Material	Aluminium
Length	199 mm
Width	63 mm
Height	36 mm
Weight	0.745 kg

Operating technology of driver	
Protection class	I
Degree of protection	IP65
Starting current	60 A (850 μ s)
Power min	1 W
Power	100 W
Control	on/off
Environment temperature (ta)	0°C up to 40°C
Measure point (tc)	max. +90 °C

LED power supply 24 V DC, on/off switchable

Article no. 17224000

Light.
For Generations.

Packing data	
Gross weight	0.797 kg
Length of packaging	255 mm
Packaging width	85 mm
Packaging height	45 mm
Disposal at end of life	<p>This product must not be disposed of with household waste. You are obliged, to dispose of such electrical waste separately.</p> <p>By disposing of electrical waste and other old or defective electronics separately, you support recycling or other forms of re-use. In that way you help to take care and to avoid that harmful substances get into the environment.</p>