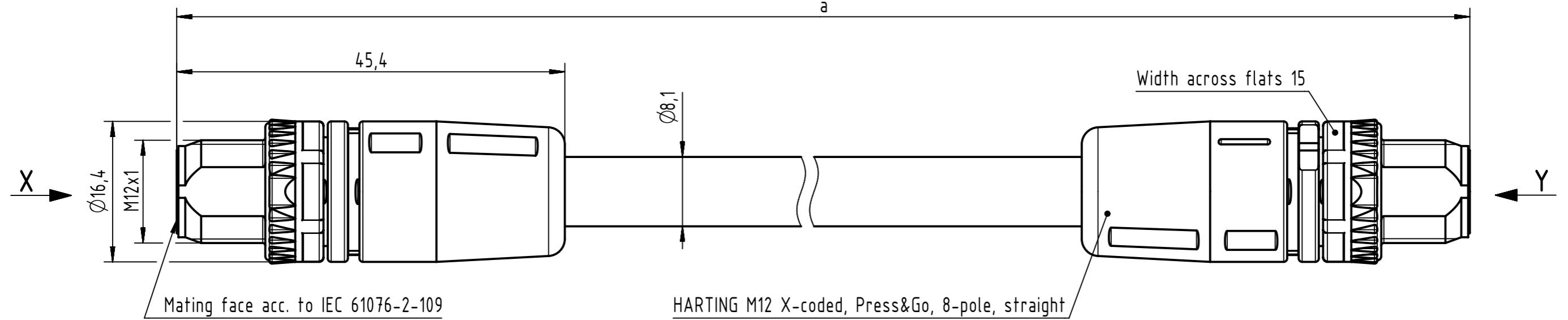


Connector Location A

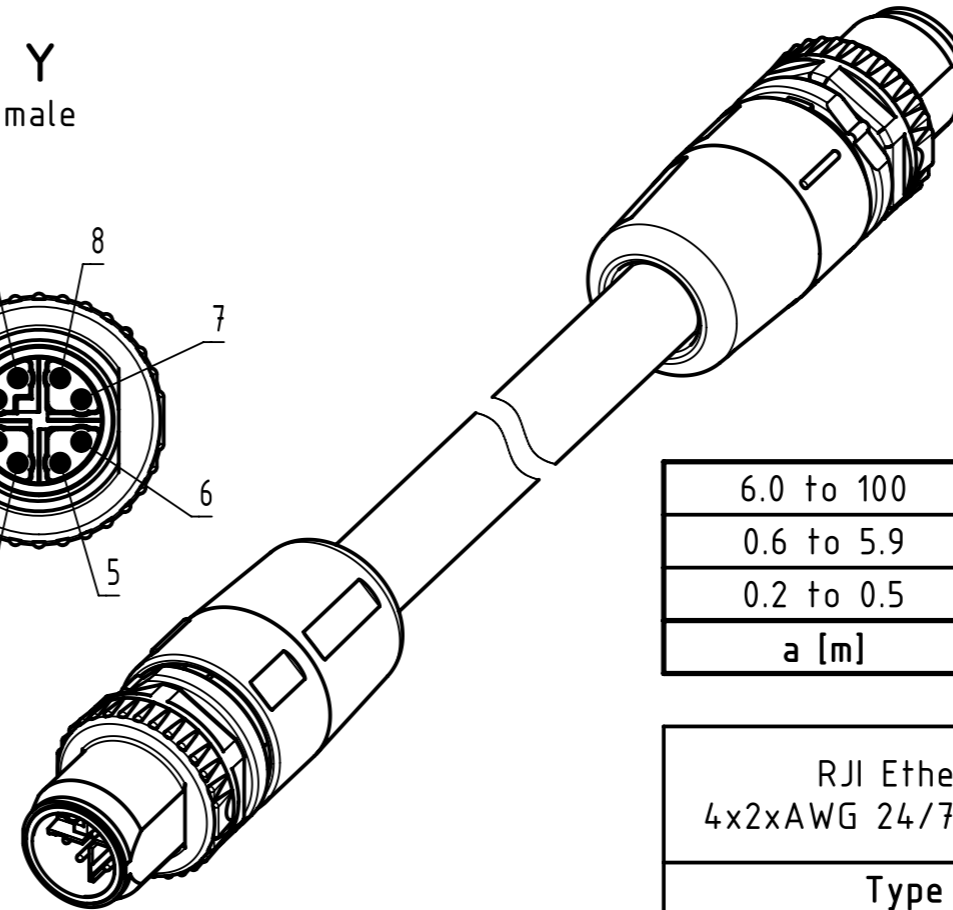
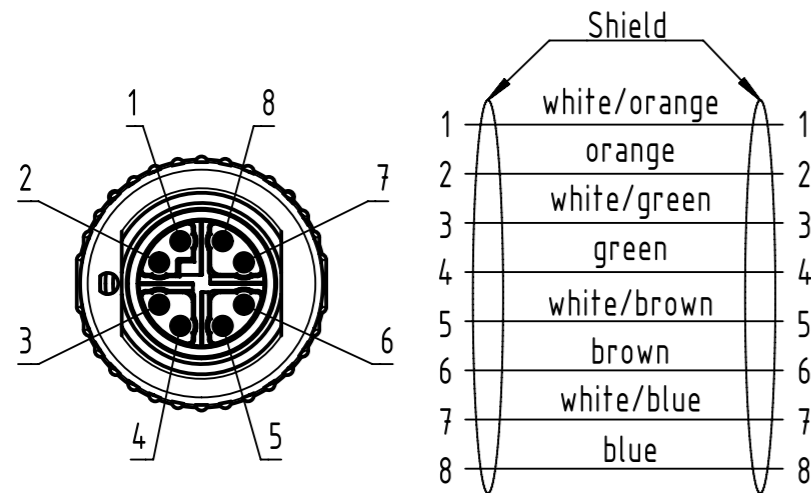
Connector Location B



X
male

Loading Plan
acc. to TIA/EIA 568B

Y
male



length in "1m" step	100	XXX=000
	99	XXX=990
length in "0.1m" step	12	XXX=120
	11	XXX=110
	10	XXX=100
	9.9	XXX=099
	9.8	XXX=098
	0.5	XXX=005
	0.4	XXX=004
	0.3	XXX=003
0.2	XXX=002	
Step	a [m]	XXX

6.0 to 100	±1%
0.6 to 5.9	+0.04
0.2 to 0.5	+0.02
a [m]	Tolerance

RJ1 EtherRail Cable, 4x2xAWG 24/7, Cat. 7, PE, black	21330505853XXX
Type of cable	Part no.

- Protection level: IP65/67
- Temperature range: -40°C ... +80°C

	All rights reserved	Created by BANCIUD Banciu	Inspected by COSTEA Costea	Standardisation MUNTEANV Muntean	Date 2019-11-27	State Final Release
	Department HCS - RO	Title M12 X-coded Cable Assembly		Doc-Key / ECM-Nr. 100614420/UGD/001/D 500000162698		
HARTING Customised Solutions D-32339 Espelkamp	Type TB	Number 21330505853XXX		Rev. D	Page 1/1	