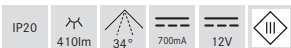
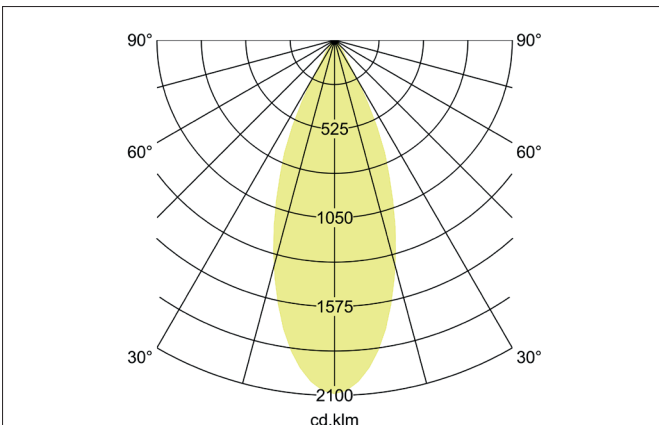
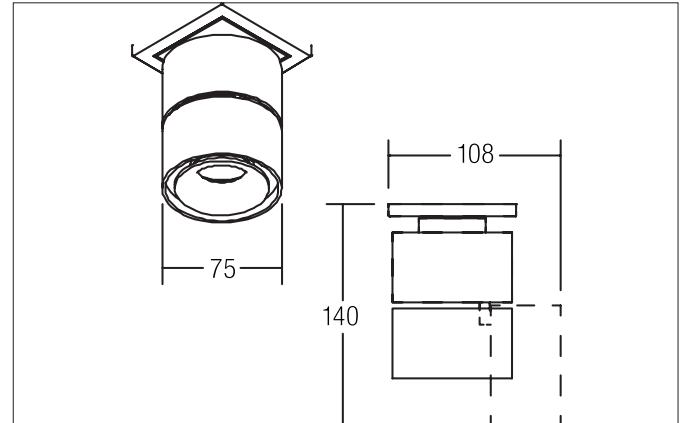


CIRCLE Plug & Light LED ceiling surface-mounted luminaire
 Article no. 12708173

Light.
 For Generations.



Tender
 Plug & Light LED ceiling surface-mounted luminaire, white structure, Round. Surface mounting, Ceiling-mounted Attention: only to be used in combination with the Plug & Light system of companies GIRA and JUNG. Dimming function can be actuated using corresponding components from GIRA or JUNG. Mounting method: Surface mounting, Place of installation: Ceiling-mounted, Material: Aluminium, Degree of protection: according to DIN EN 60529 IP20, Protection class: (EN 61140) III, Voltage: 12V, Power: 6.2 W, Amount of light sources / fittings: 1 Qty, Luminous flux : 410 lm, Colour temperature: 3.000 K, Beam angle: 34°, Adjustability: Rotatable and adjustable head, Dimmable: Depending on type of control gear, Control: Other.

Article data	
Article no.	12708173
GTIN	4251433922834
Series name	CIRCLE
Short description	Plug & Light LED ceiling surface-mounted luminaire
Material	Aluminium
Colour	White
Type of surface	Structure
Shape	Round
Outer diameter	75 mm
Height	108 mm
Weight	0.405 kg

CIRCLE Plug & Light LED ceiling surface-mounted luminaire

Article no. 12708173

Light.
For Generations.

Lighting technology	
Colour temperature	3.000 K
Light colour	White
Light output	Direct
Luminous flux	4 10 lm/m
System efficiency	66 lm/W
Colour rendering	CRI > 85
Reflector	High-gloss
Reflektorfarbe	silver
Beam angle	34°
Glare evaluation	UGR < 19
Light sharing	Symmetric

Operating technology of the luminaire	
System output	6.2 W
Voltage type	DC
DC nominal voltage max	12 V
Current	700 mA
Lamp	LED
Protection class	III
Degree of protection	IP20
Dimmable	Depending on type of control gear
Control	Other
Bulb change possible	Yes

Mounting technology	
Mounting method	Surface mounting
Place of installation	Ceiling-mounted
Adjustability	Pivoted
Swivel angle	90°
Rotation angle	360°
Head adjustable angle	90°
Material cover	Plastic, transparent

Packing data	
Gross weight	0.467 kg
Length of packaging	140 mm
Packaging width	110 mm
Packaging height	120 mm
Disposal at end of life	This product must not be disposed of with household waste. You are obliged, to dispose of such electrical waste separately. By disposing of electrical waste and other old or defective electronics separately, you support recycling or other forms of re-use. In that way you help to take care and to avoid that harmful substances get into the environment.