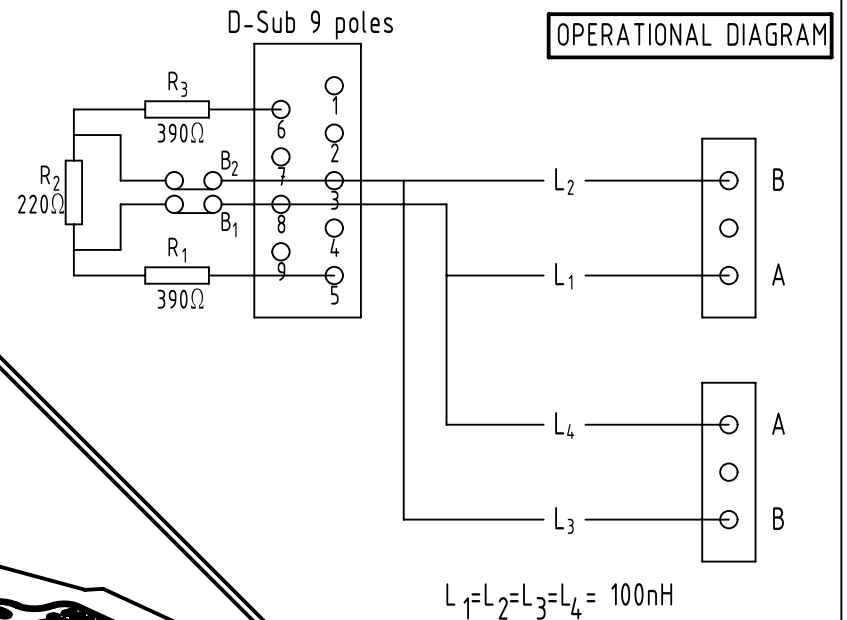
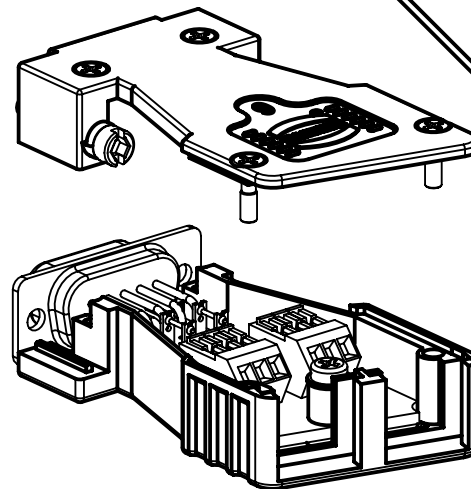
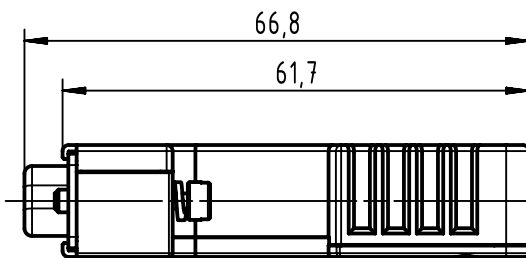
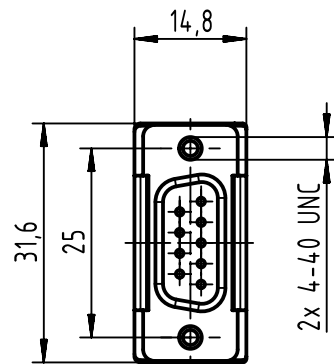
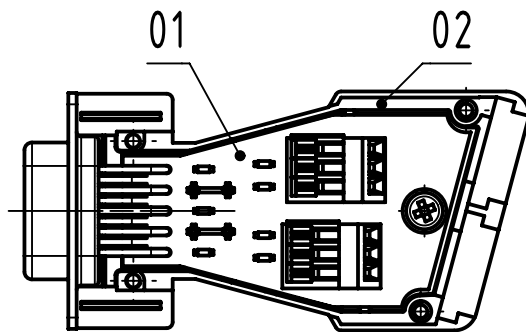


View without cover



OPERATIONAL DIAGRAM

Number	Description
1	blanking piece 9-37

	All rights reserved Department EL PD	All Dimensions in mm Original Size DIN A4	Scale 1:1	Free size tol.	Ref.	
		Created by ZENG D	Inspected by LUOK	Standardisation ROEBEN	Date 2021-07-16	State Final Release
Title InduCom 9 profibus 4-40UNC without clamp accessory		Type TB			Number 66630096004	Doc-Key / ECM-Nr. 100073191/UGD/005/D 500000198818
Part number Performance level Remark		HARTING D-32339 Espelkamp		Rev. D	Page 1/1	

6663 009 6004 170	PL2	Plated hood
6663 009 6004 777	PL2	Small batch
6663 009 6004	PL2	Standard batch